

## B3203 - Extension Piece

**Size Range:** 3/8"-16 thru 7/8"-9 rod

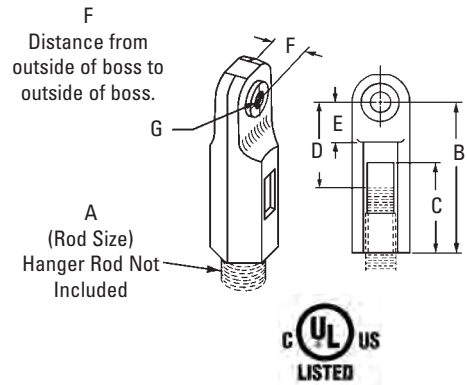
**Material:** Malleable Iron

**Function:** For use in attaching hanger rod to other attachments. (Use with B3054.)

**Approvals:** Underwriters Laboratories Listed

**Finish:** Plain. Contact customer service for alternative finishes and materials.

**Order By:** Part number, rod size and finish



Part No.	Rod Size A	For Pipe Sizes		B		C		D		
		in.	(mm)	in.	(mm)	in.	(mm)	in.	(mm)	
B3203-3/8	3/8"-16	3/4"	to 2"	(20 to 50)	2 1/16"	(52.4)	1 1/4"	(31.7)	1 1/4"	(31.7)
B3203-1/2	1/2"-13	2 1/2"	to 3 1/2"	(65 to 90)	2 1/16"	(58.7)	1 3/8"	(34.9)	1 3/8"	(34.9)
B3203-5/8	5/8"-11	4"-5"		(100 to 125)	2 7/16"	(61.9)	1 1/2"	(38.1)	1 7/16"	(36.5)
B3203-3/4	3/4"-10	6"		(150)	2 7/8"	(73.0)	1 3/4"	(44.4)	1 11/16"	(42.9)
B3203-7/8	7/8"-9	8"	to 12"	(200 to 300)	3"	(76.2)	1 7/8"	(47.6)	1 3/4"	(44.4)

Part No.	E		F		G		Design Load Lbs. (kN)	Approx. Wt./100 Lbs. (kg)	
	in.	(mm)	in.	(mm)	in.	(mm)		Lbs.	(kg)
B3203-3/8	9/16"	(14.3)	1/2"	(12.7)	1/2"	(12.7)	730 (3.25)	18	(8.1)
B3203-1/2	1 1/16"	(17.5)	5/8"	(15.9)	1/2"	(12.7)	1350 (6.00)	37	(16.8)
B3203-5/8	3/4"	(19.0)	5/8"	(15.9)	1/2"	(12.7)	1550 (6.89)	42	(19.0)
B3203-3/4	7/8"	(22.2)	5/8"	(15.9)	1/2"	(12.7)	2100 (9.34)	56	(25.4)
B3203-7/8	7/8"	(22.2)	3/4"	(19.0)	9/16"	(14.3)	2350 (10.45)	75	(34.0)

## B3223-3/8" - Offset Eye Socket

**Size Range:** 3/8"-16 rod

**Material:** Steel

**Function:** Designed for attachment of 3/8"-16 hanger rod to structure.

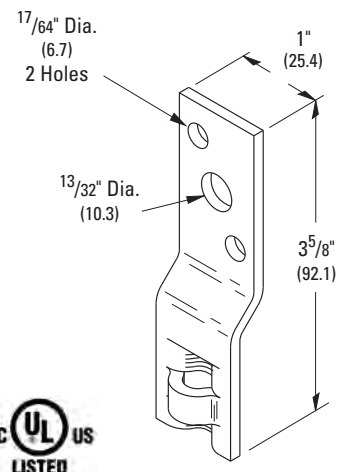
**Approvals:** Underwriters Laboratories Listed for up to 2" (50mm) pipe.

**Weight:** Approx. Wt./100 - 6.0 lbs. (2.7kg)

**Finish:** Electro-Galvanized

**Order By:** Part number and finish

**Design Load:** 610 lbs (2.71kN)



All dimensions in charts and on drawings are in inches. Dimensions shown in parentheses are in millimeters unless otherwise specified.