

Features

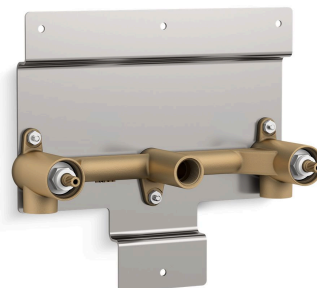
- 1/2" (12.7 mm) quarter-turn washerless ceramic disc valves
- 10.0 gpm (37.9 lpm) maximum flow rate at 45 psi (3.1 bar)
- Requires valve trim (sold separately)

Material

- Solid-brass construction for durability and reliability

Installation

- For 8" (203 mm) centers
- Wall-mount

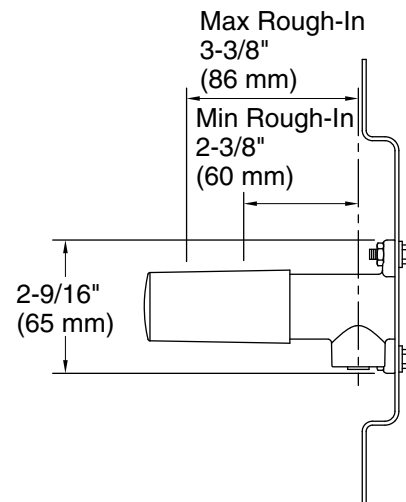
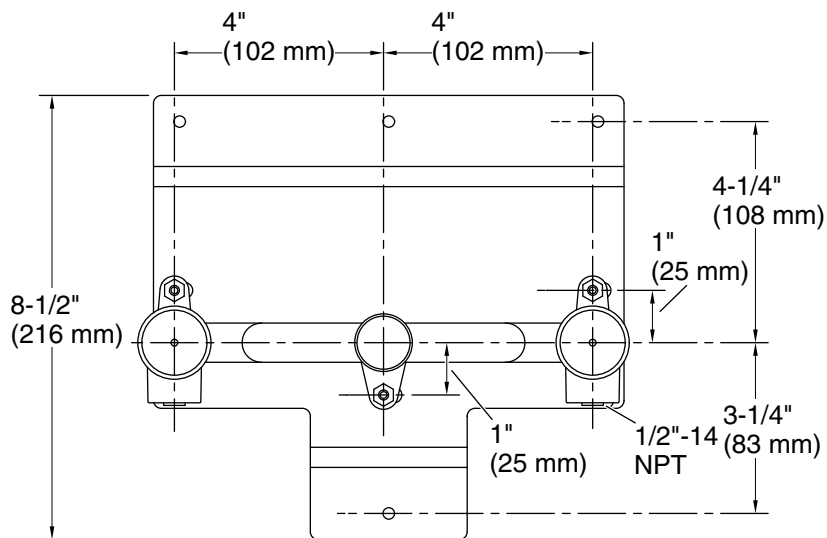


Codes/Standards

ASME A112.18.1/CSA B125.1

KOHLER® Electronic Faucets, Valves, and Controls Five-Year Limited Warranty

See website for detailed warranty information.



Technical Information

All product dimensions are nominal.

Faucet flow rate: 10 gal/min (37.9 l/min)

Spout:

Notes

Install this product according to the installation instructions.