



Valton® Rite-Temp® bath and shower faucet trim set, without showerhead TLS24820-4

Features

- A single handle controls both on/off activation and temperature setting
- Antiscald protection
- 5-1/16" (129 mm) diverter bath spout with slip-fit connection
- Box includes: Shower arm and flange, faceplate with lever handle, diverter bath spout with 1/2" slip-fit connection
- Coordinates with other products in the Valton collection

Material

- Premium metal construction for durability and reliability
- KOHLER finishes resist corrosion and tarnishing

Installation

- Trim only; requires valve to complete installation (sold separately)



Codes/Standards

ASME A112.18.1/CSA B125.1
California Energy Commission (CEC)

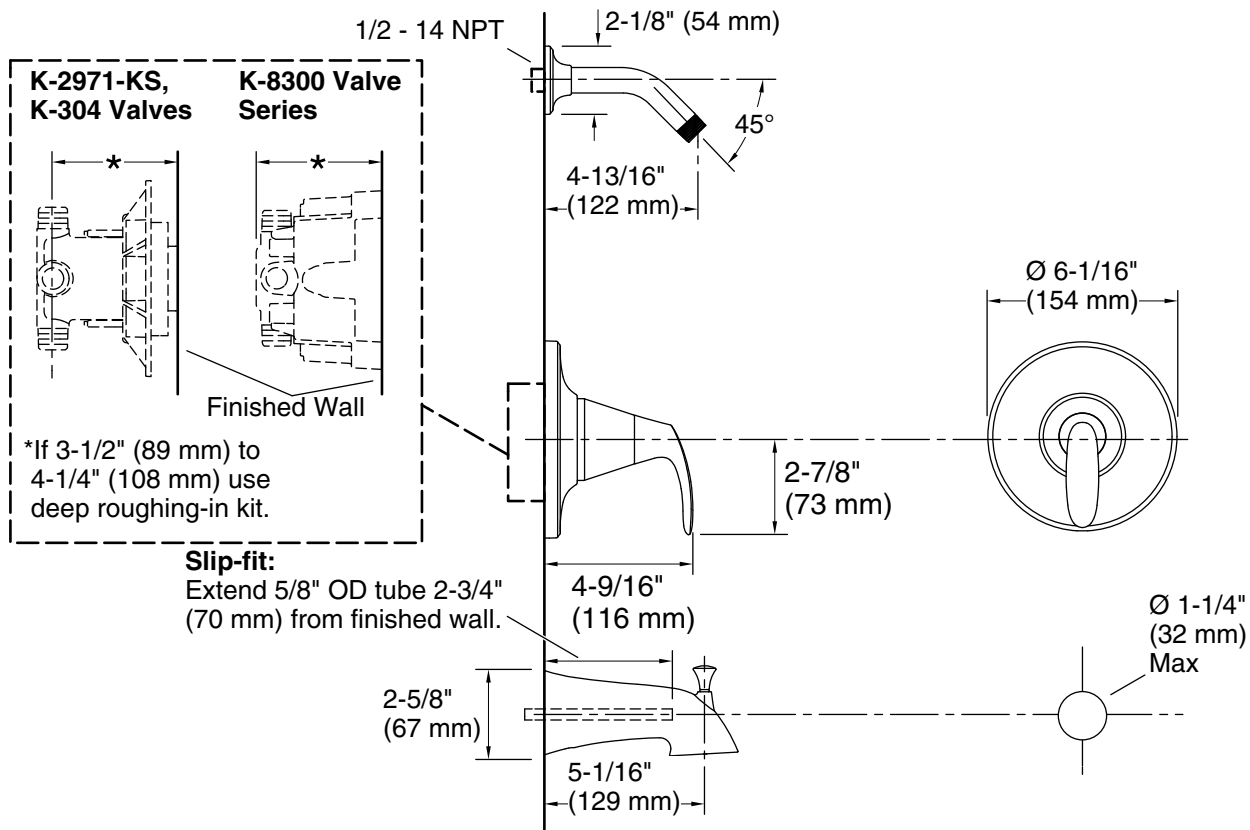
STERLING® Faucet Lifetime Limited Warranty

See website for detailed warranty information.

Available Colors/Finishes

Color tiles intended for reference only.

Color	Code	Description
	CP	Polished Chrome



Technical Information

All product dimensions are nominal.

Spout:

Spout reach: 5-1/16" (128 mm)

Notes

Install this product according to the installation guide.

NOTICE: Risk of product damage. Long screws, for installing trim, can damage the K-2971-KS valve. Consult the trim installation guide to verify if the thin wall installation kit (88526) is needed.

Install straight pipe or tube drop of 7" (178 mm) to 18" (457 mm) with single elbow between the valve and the wall-mount spout.