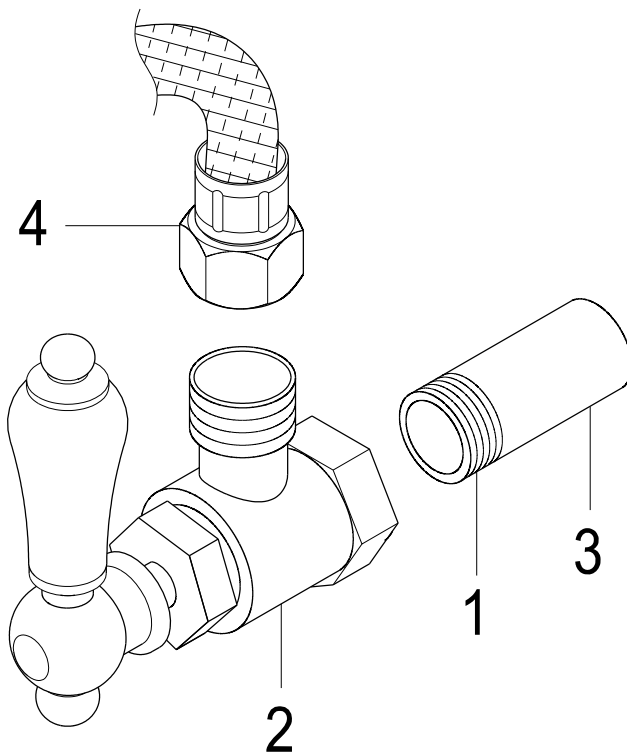


Installation Instructions For Use With KB's Angle Stop

Instructions:

1. Apply thread sealant tape to threads(1).
2. Screw valve body(2) onto pipe(3) and hose(4).
3. Stop any leaks by tightening nuts slightly.



www.kingstonbrass.com

TOLL-FREE CUSTOMER SERVICE: 1-877-2-KBRASS

TECHNICAL SUPPORT E-mail: service@kingstonbrass.com

12775 Reservoir Street, Chino, CA91710