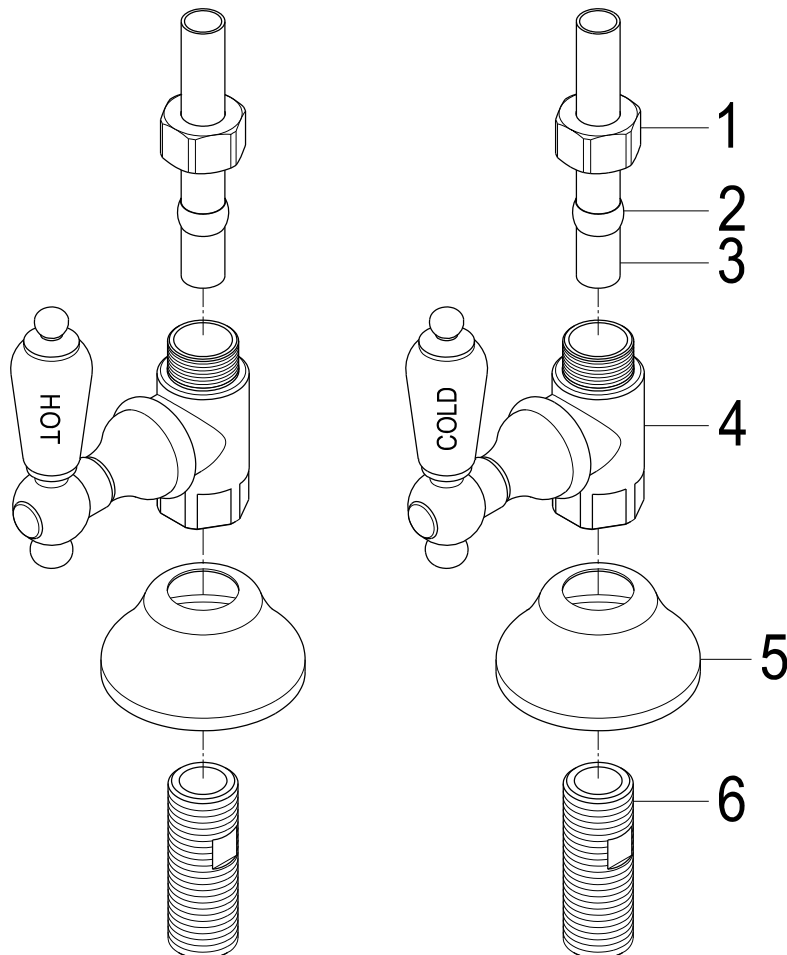


### Installation Instructions For Use With KB's Straight Stop

#### Instructions:

1. Apply thread sealant tape to adapter (6).
2. Place the flange (5) into adapter (6).
3. Screw valve body (4) onto adapter (6).
4. Place nut (1) and ring (2) on tube (3).
5. Insert tube (3) into valve.
6. Wrench tighten nut (1) onto valve.
7. Stop any leaks by tightening nuts slightly.



[www.kingstonbrass.com](http://www.kingstonbrass.com)

TOLL-FREE CUSTOMER SERVICE: 1-877-2-KBRASS

TECHNICAL SUPPORT E-mail: [service@kingstonbrass.com](mailto:service@kingstonbrass.com)

12775 Reservoir Street, Chino, CA91710