

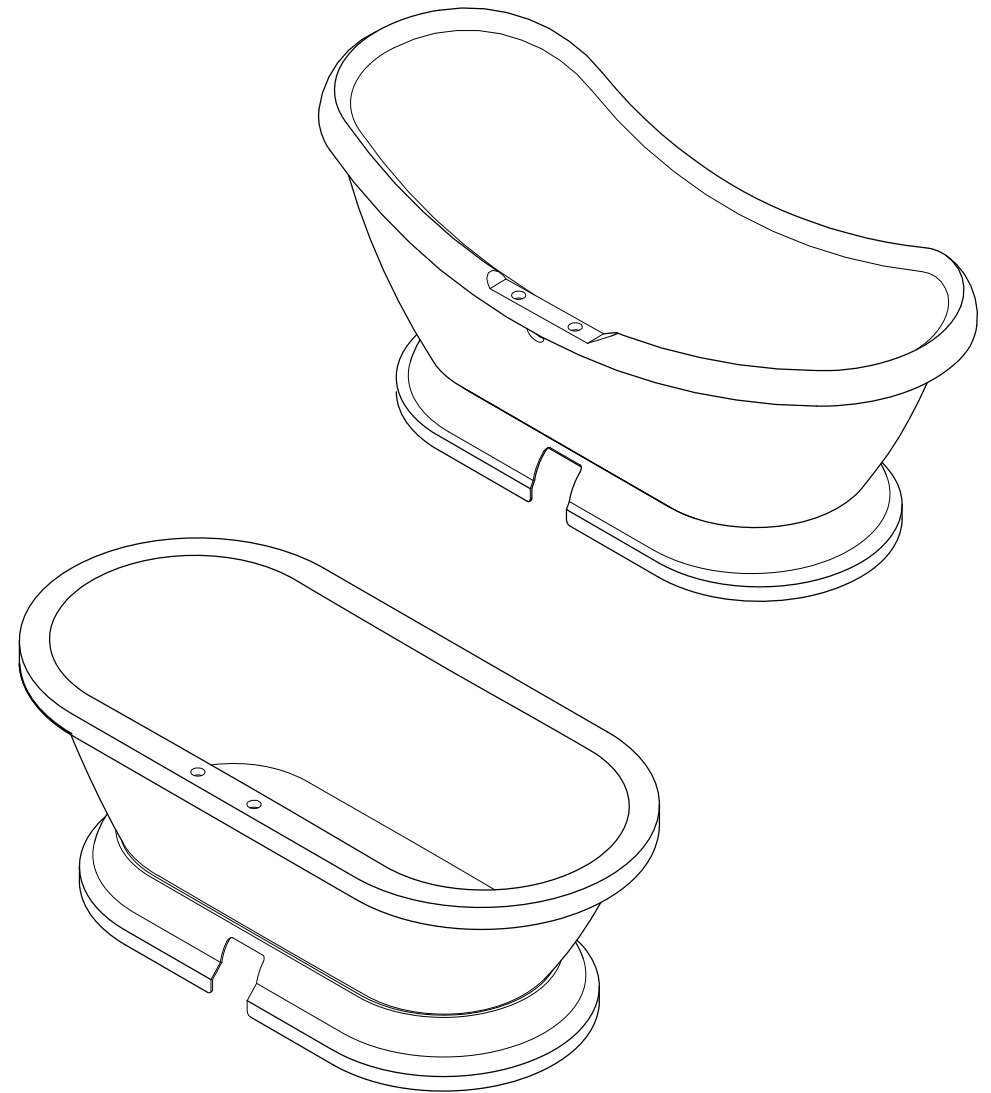
Important

Before you begin Installation please read the following instructions, observe all local plumbing and building codes.

- Check area where tub will be installed to ensure that it is leveled and structurally sound.
- Please unwrap the tub and check it carefully for any damage that may have occurred during transportation.
- Check that all parts are included.
- If you have any missing parts, damage is found or have any questions regarding the installation process contact customer service at (877)-252-7277.
- Store bathtub in a safe place until you begin installation to avoid damage to the tub's surface.
- No claims for damages or blemishes will be accepted once the tub has been installed.
- We recommend that the installation of this tub be done by a qualified licensed professional.
- Because of its weight and volume we recommend that the installation of this tub be done with the help of at least one other person, a fall even what may seem like a minor one may result in cracking of the tub, moving straps and rubber gripped gloves are recommended.
- These Installation instructions do not include details of waste connections, the final details should be determined by your contractor

Aqua Eden

ELEMENTS OF DISTINCTIVE STYLE



www.kingstonbrass.com

TOLL-FREE CUSTOMER SERVICE: 1-877-2-KBRASS

TECHNICAL SUPPORT E-mail: service@kingstonbrass.com

12775 Reservoir Street, Chino, CA 91710

Aqua Eden

ELEMENTS OF DISTINCTIVE STYLE

INSTALLATION INSTRUCTIONS

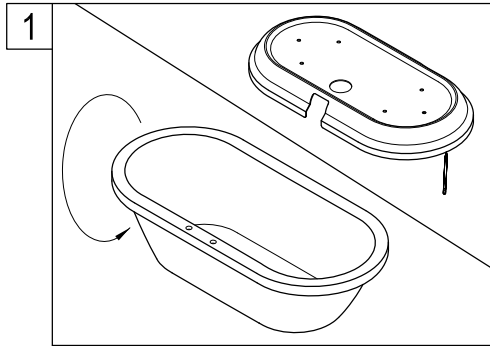
Acrylic Tub with or without Drain

Caution

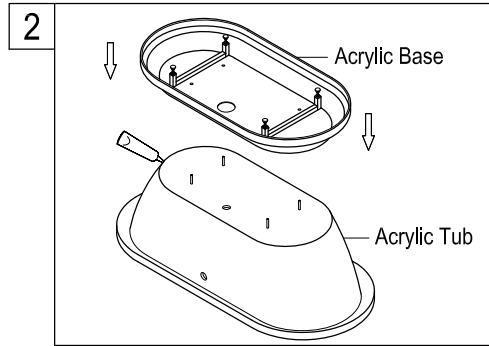
This bathtub is heavy. Get help lifting and moving this tub. Read all instructions thoroughly before starting the installation.

Important Points to Remember :

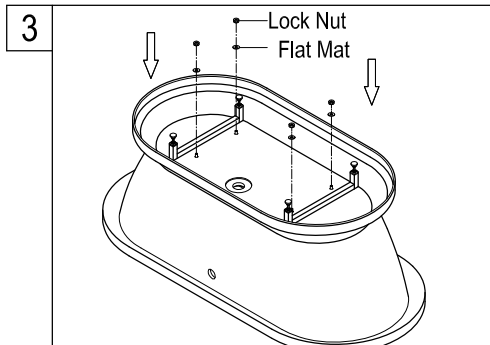
1. Provide adequate floor support.
2. Make sure the subfloor is level. Provide drain access from below. Provide access to all plumbing connections. Observe local building and plumbing codes.



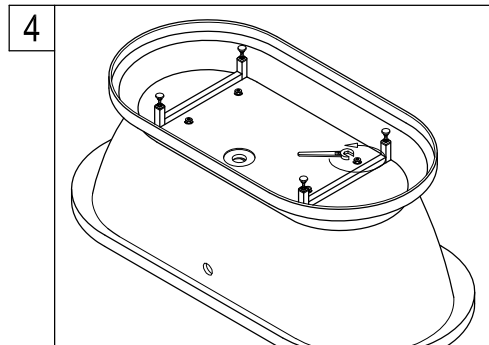
1. Position the base at the desired location, with a pencil mark the perimeter of the base, also mark the location of where the tub drain will be situated, remove base and place the tub upside down on a blanket or piece of cardboard.



2. After applying silicone based caulking around the perimeter of the tub, turn over the base and align the four holes with the four bolts on the tub, slowly lower the base until the bolts have gone through the holes on the base.

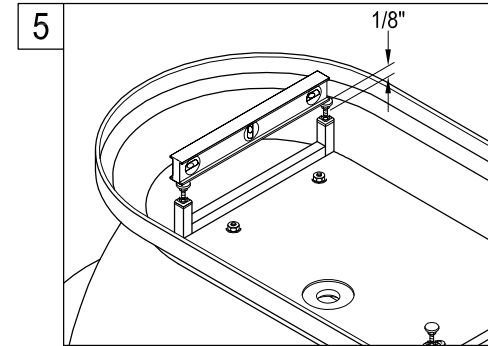
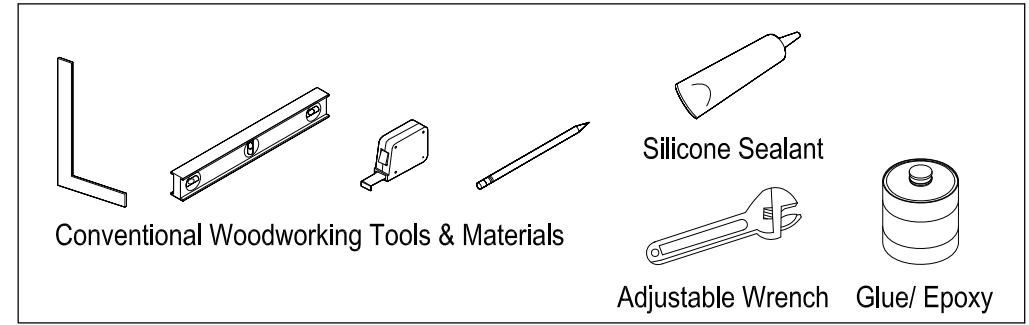


3. Apply a washer to each of the four bolts then apply and tighten the lock nuts onto the bolts by using an adjustable wrench.

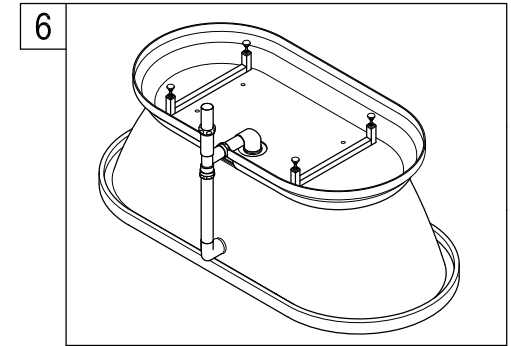


4. Once the locknuts have been fully threaded and tightened, check that the base is securely attached to the tub, wipe off any excess caulking.

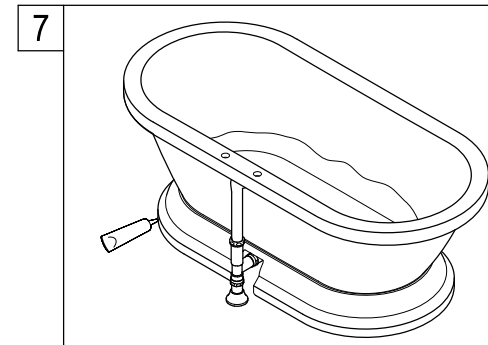
Need Tools:



5. Adjust feet so that they protrude 1/8" below the level of the tub, you can accomplish this by placing a level or a straight piece of lumber across the width of the tub.



6. Install drain as per manufacturer's instructions.



7. Close the drain and fill the tub with 2" to 5" with water, while inspecting the connection from below the floor, drain the tub and check for leaks. Apply caulking around the perimeter as needed, clean excess caulking.

Cleaning

Clean with a damp cloth only.
Avoid using metal or abrasive polishes.