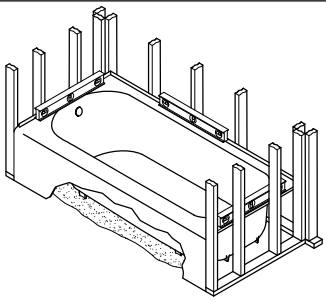
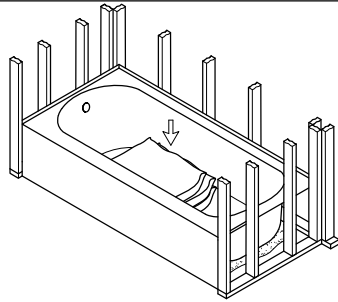


5



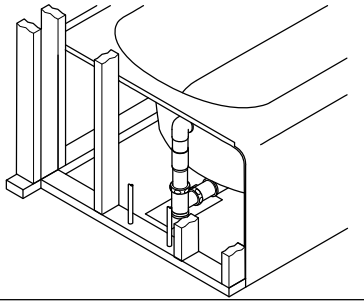
5. Set tub into place, make sure the tub is level, make sure that the mortar bed is in contact with the entire tub basin.

6



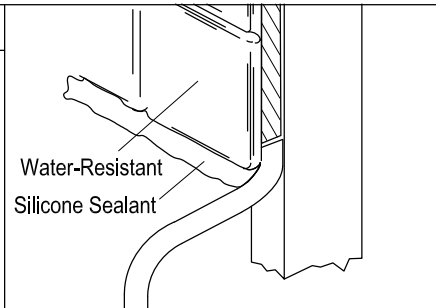
6. Secure to the wall with galvanized screws at the predrilled screw location, apply weight to the middle of the tub until the mortar sets.

7



7. Connect the tub drain to your drain system.

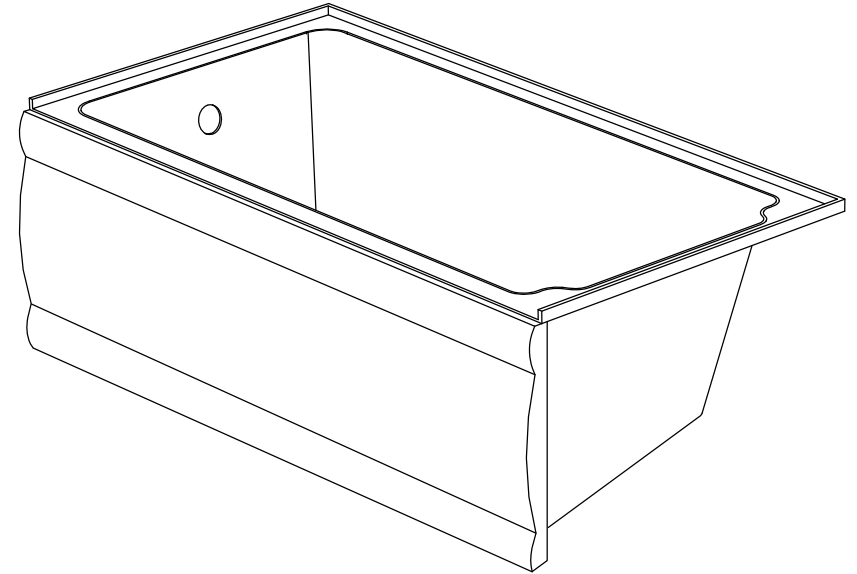
8



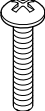
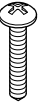
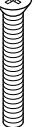


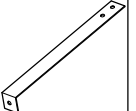
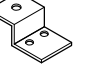
8. Install water resistant gypsum board and finish surface material (tile, stone) and seal all edges with silicone caulking to prevent water damage.

# Aqua Eden

ELEMENTS OF DISTINCTIVE STYLE



## Parts:

Large Wood Screw	Small Wood Screw	Machine Screw	Large Metal Washer	Small Metal Washer	" L " Bracket	" Z " Bracket
						
2 Pcs	12 Pcs	5 Pcs	2 Pcs	2 Pcs	2 Pcs	5 Pcs

## Cleaning

Clean with a damp cloth only.  
Avoid using metal or abrasive polishes.

[www.kingstonbrass.com](http://www.kingstonbrass.com)

TOLL-FREE CUSTOMER SERVICE: 1-877-2-KBRASS

TECHNICAL SUPPORT E-mail: [service@kingstonbrass.com](mailto:service@kingstonbrass.com)

12775 Reservoir Street, Chino, CA 91710

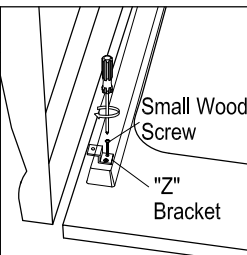
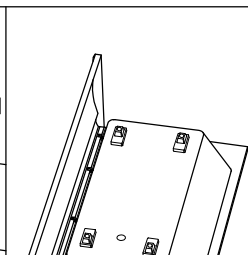
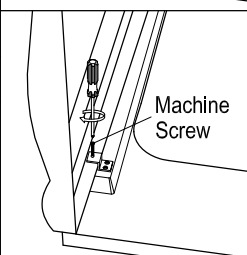
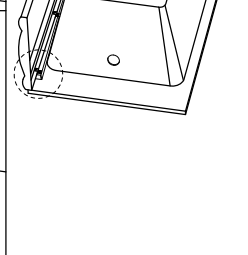
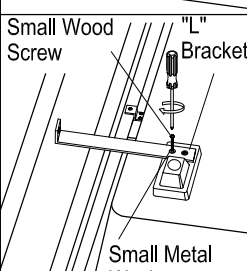
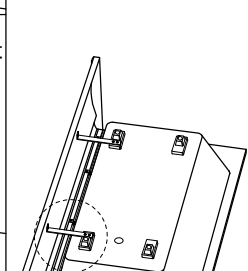
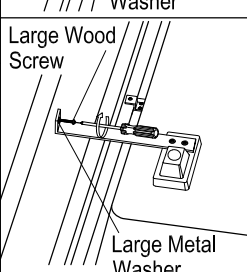
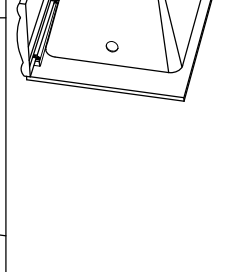
# Aqua Eden

ELEMENTS OF DISTINCTIVE STYLE

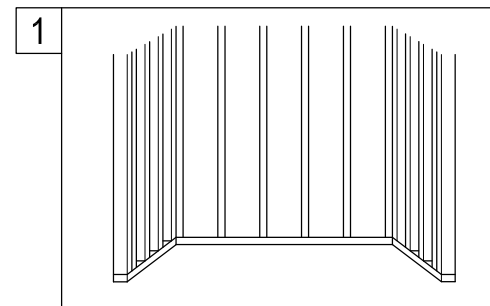
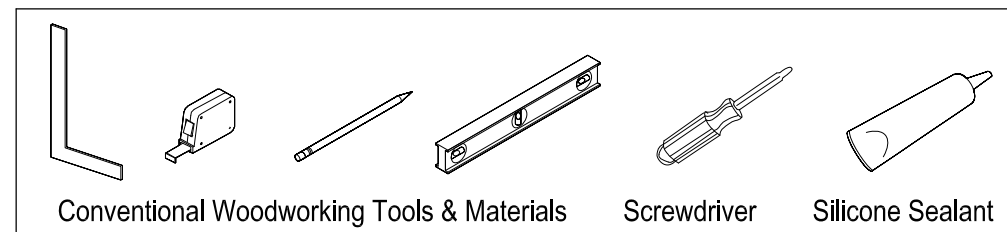
## INSTALLATION INSTRUCTIONS Alcove Tub with or without Drain

### Important points to remember before beginning installation:

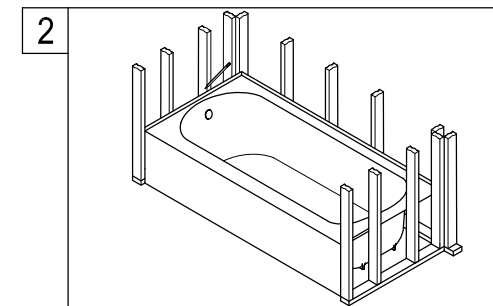
- Verify that floor is structurally sound and level, floor must be able to support the full load of the tub including water to the overflow level.
- Provide access to all plumbing connections.
- Observe all local building and plumbing codes.

<p>1</p> <p>2</p>  <p>Small Wood Screw</p> <p>"Z" Bracket</p>		<p>Before assembly, open the box and check for any missing or damaged parts. If the product has been damaged or has missing parts, please contact the supplier.</p>
<p>3</p> <p>4</p>  <p>Machine Screw</p>		<h3>Skirt Installation Instructions:</h3>
<p>5</p>  <p>Small Wood Screw</p> <p>"L" Bracket</p> <p>Small Metal Washer</p>		<ol style="list-style-type: none"> <li>1. Turn Tub upside down on a blanket or piece of cardboard.</li> <li>2. Using small wood screws attach "Z" brackets on the structural block, make sure to distribute the 5 "Z" Brackets evenly along the Structural block underneath the tubs deck.</li> <li>3. Partially thread the machine screws on the "Z" brackets.</li> <li>4. With the help of a second person place the skirt on the tub, placing the lip under the "Z" bracket screw, tighten the machine screw to secure the skirt.</li> <li>5. While holding the skirt, place the "L" brackets on the wood blocks underneath the tub, once the skirt is plumb secure the "L" bracket to the tub using the small wood screws and small metal washers.</li> <li>6. Secure skirt to "L" Bracket using large wood screws and large metal washers.</li> <li>7. Turn tub over and apply a small bead of silicone caulking along the joint between the skirt and the tub, clean any excess caulking.</li> </ol>
<p>6</p> <p>7</p>  <p>Large Wood Screw</p> <p>Large Metal Washer</p>		

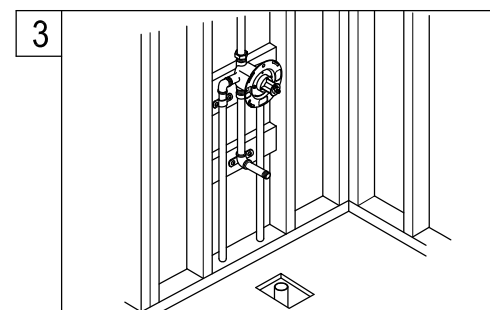
### Need Tools:



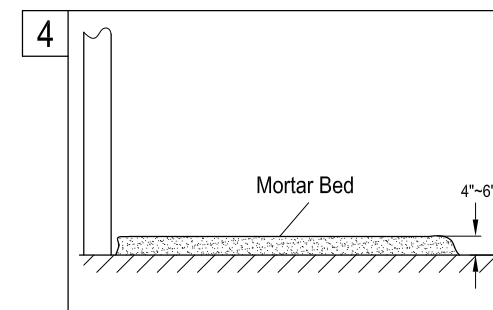
1. Prepare area by framing the area where the tub will be installed.



2. Place the tub at the location where the tub will be installed, level tub on all sides and mark the location of the drain and the wall studs on the tile flange.



3. Remove tub and install the drain, predrill holes on tile flange at the marked location of the studs.



4. Pour a generous, (4" to 6") layer of mortar mix cement to the area where your tub basin will be sitting, please note that due to the tubs slope, it is necessary to apply a thicker layer on the side opposite the drain, make sure to cover the drain to prevent any mortar from falling inside, leave the area where the feet will be resting free of mortar as well.