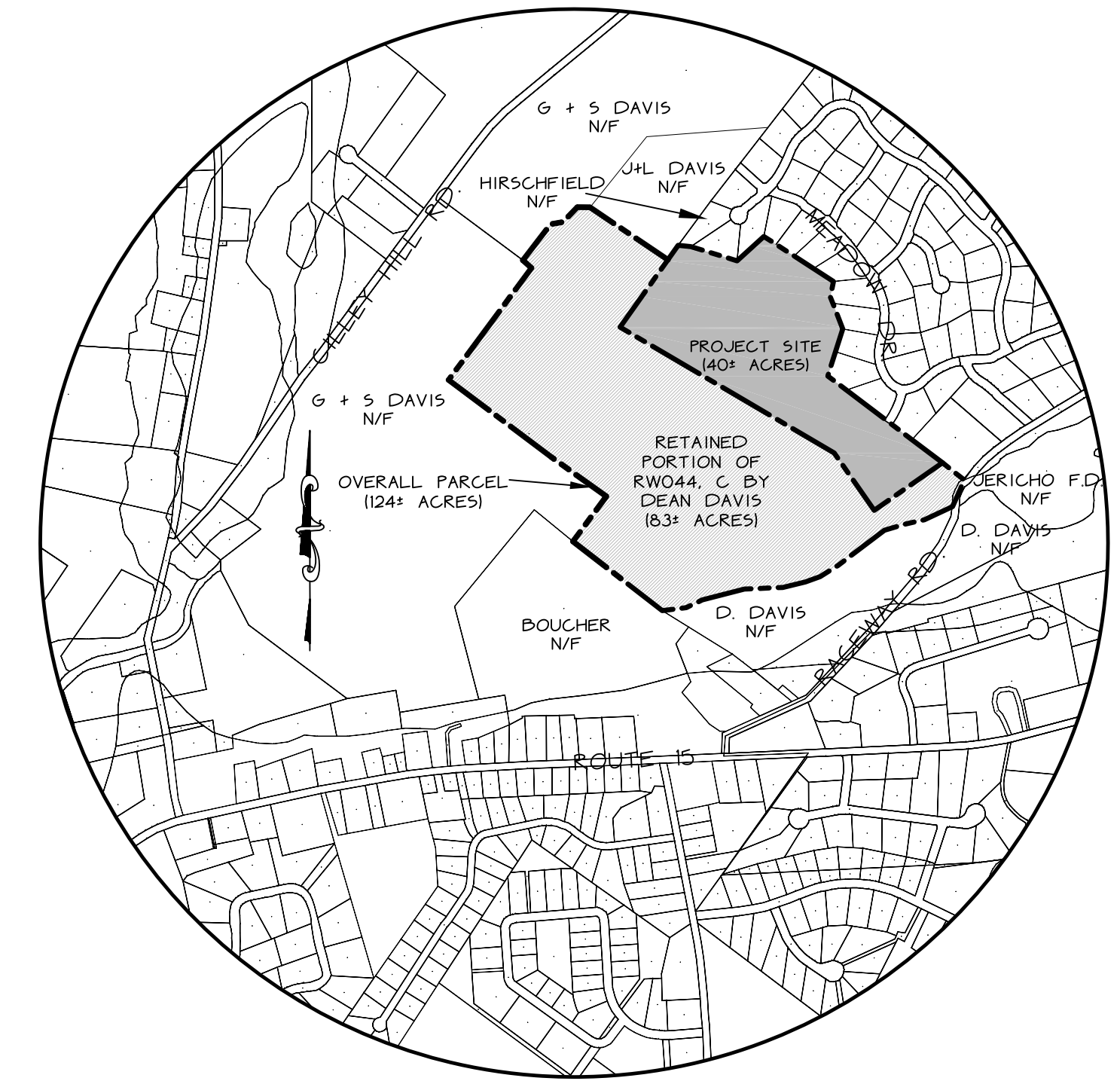
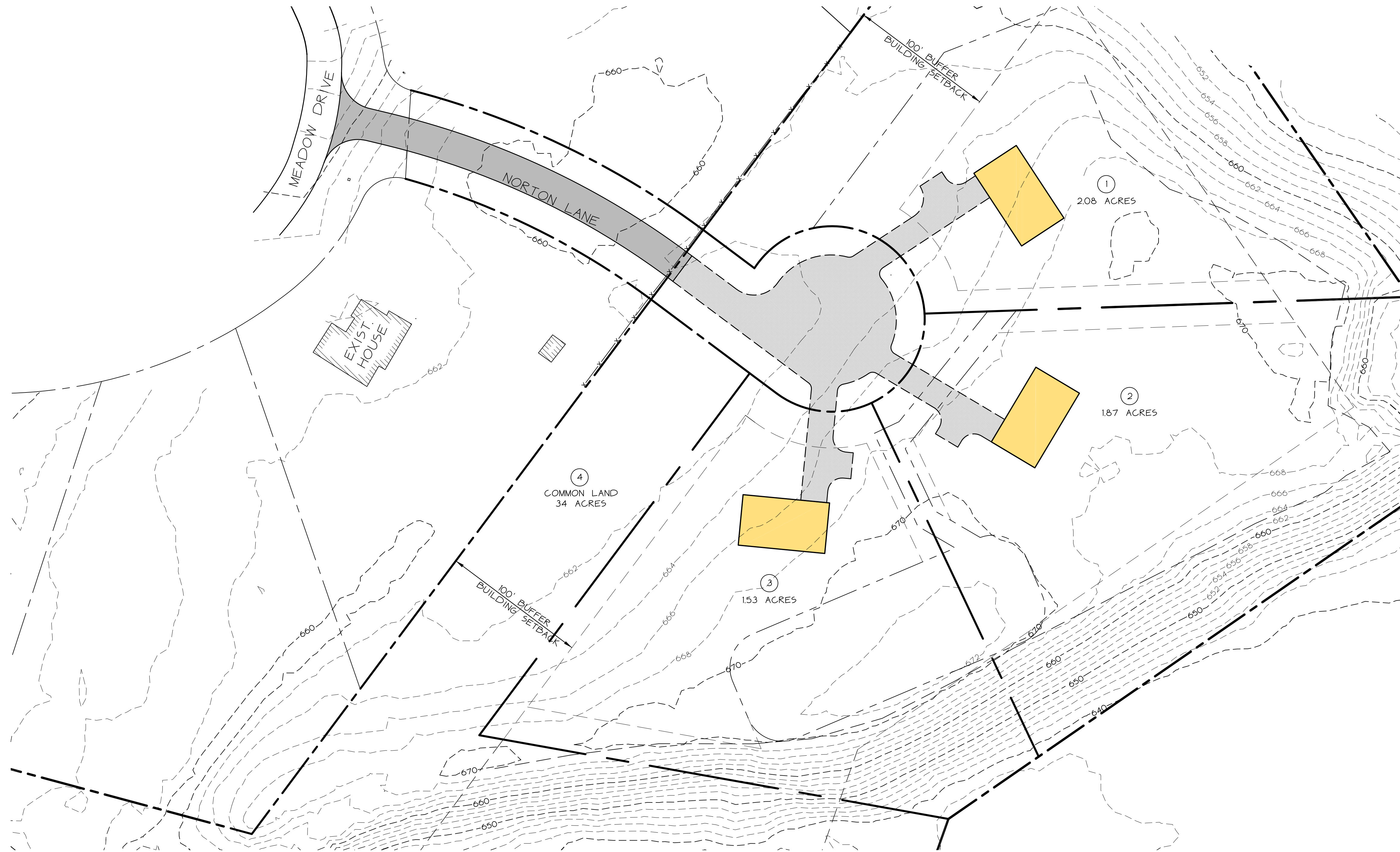
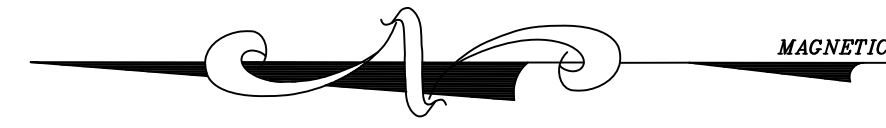


NORTON MEADOWS

RACEWAY ROAD

JERICO, VT



Location / Overall Parcel Plan
JERICHO, VT N.T.S.

PLAN SHEET LIST

- 1 Overall Plan
- 2 Site Plan
- 3 Plan and Profile
- 4 Sewage Disposal Details & Specifications
- 5 Road & Water Details & Specifications
- 6 Erosion Control Details & Specifications
- 7 Landscaping & Stormwater Details & Specifications
- PL1 Subdivision Plat

Owner

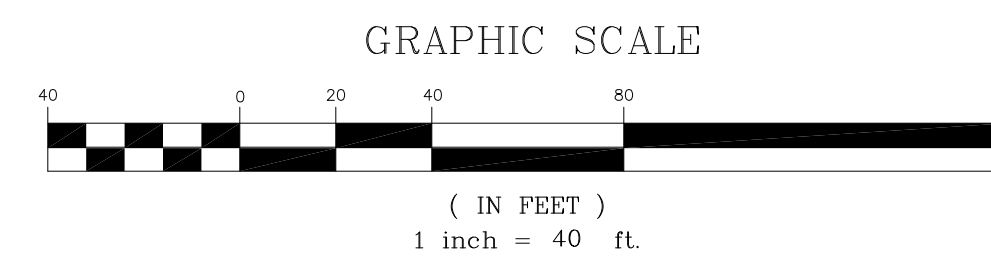
DEAN DAVIS
44 RACEWAY ROAD
JERICHO, VT 05465

Applicant

ATWOOD ENTERPRISES, LTD.
(C/O STEVE ATWOOD)
9 VALE DRIVE
ESSEX JCT., VT 05452

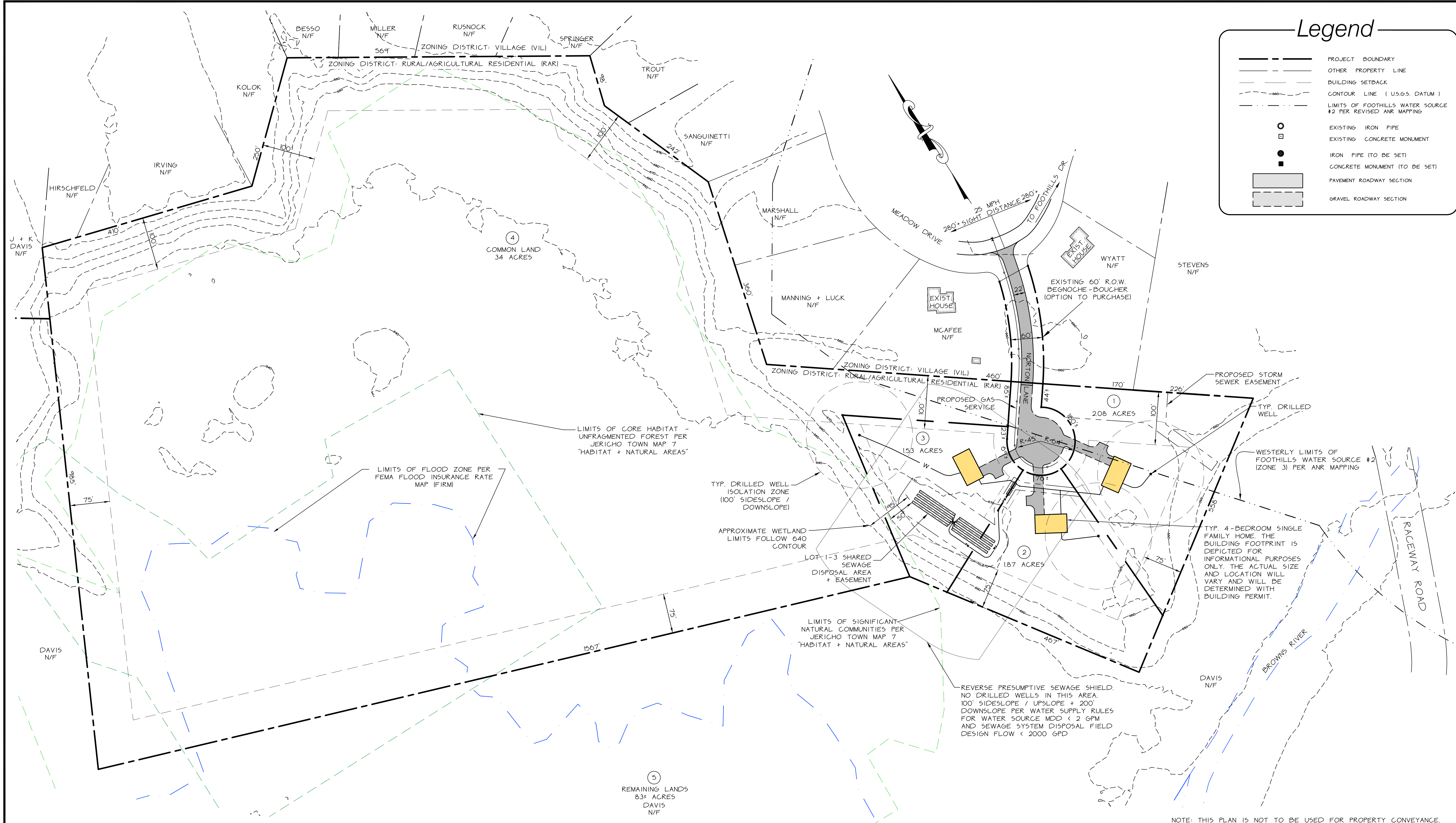
Consultant

O'LEARY-BURKE CIVIL ASSOCIATES, PLC
13 CORPORATE DRIVE
ESSEX JCT., VT 05452



Legend

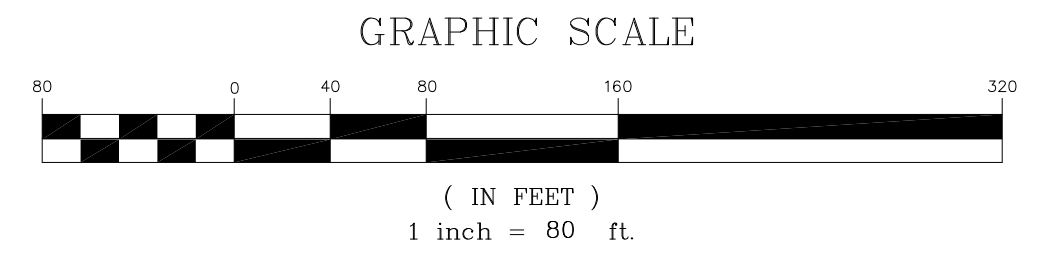
- PROJECT BOUNDARY
- OTHER PROPERTY LINE
- BUILDING SETBACK
- CONTOUR LINE (U.S.G.S. DATUM)
- LIMITS OF FOOTHILLS WATER SOURCE #2 PER REVISED ANR MAPPING
- EXISTING IRON PIPE
- EXISTING CONCRETE MONUMENT
- IRON PIPE (TO BE SET)
- CONCRETE MONUMENT (TO BE SET)
- PAVEMENT ROADWAY SECTION
- GRAVEL ROADWAY SECTION



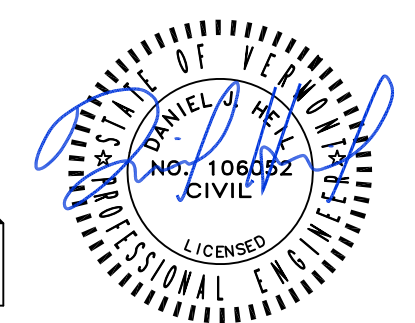
NOTE: THIS PLAN IS NOT TO BE USED FOR PROPERTY CONVEYANCE. SEE PROPERTY PLAT FOR CONVEYANCE PURPOSES.

Zoning Information

PARCEL ID# RWO446 1023 ACRES TOTAL: 40 ACRES PROJECT AREA
 ZONED: RURAL/AGRICULTURAL RESIDENTIAL (RAR)
DIMENSIONAL REQUIREMENTS:
 ROAD FRONTAGE: 400 FT (CONVENTIONAL) / 75 FT (PUD) / MIN. 75' PROPOSED
 MINIMUM LOT AREA: 10 ACRES (CONVENTIONAL) / 0.50 ACRES (PUD) / 1.53 ACRES PROPOSED
MAXIMUM DENSITY:
 40 ACRES / 10 AC./LOT - 25% 3 LOTS
 TOTAL - 3 LOTS
SETBACKS:
 FRONT: 35 FT (CONVENTIONAL) / 25 FT (PUD) / 25 FT PROPOSED
 SIDE: 25 FT (CONVENTIONAL) / 15 FT (PUD) / 15 FT PROPOSED
 REAR: 25 FT (CONVENTIONAL) / 20 FT (PUD) / 20 FT PROPOSED
 UNLESS PUD BUFFER APPLIES
PUD BUFFER ZONE: 100 FT TO FOOTHILLS VILLAGE DISTRICT; 75' TO REMAINING LANDS OF DAVIS.
WATER, SEWER + STORM: ON-SITE
 TOTAL IMPERVIOUS AREA: 35,000 SF (0.80 ACRES)
 OPEN SPACE: MIN. 50% REQUIRED / 34 ACRES (85%) PROPOSED



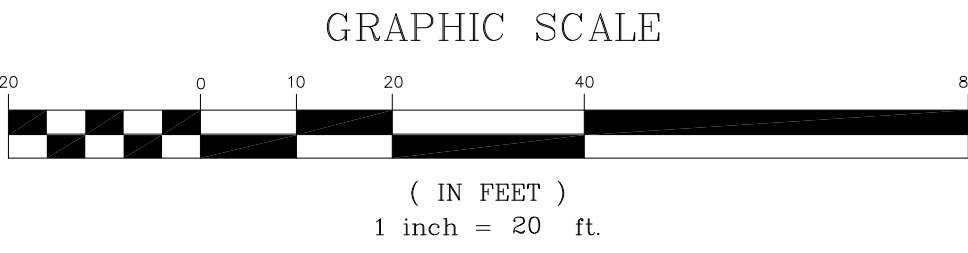
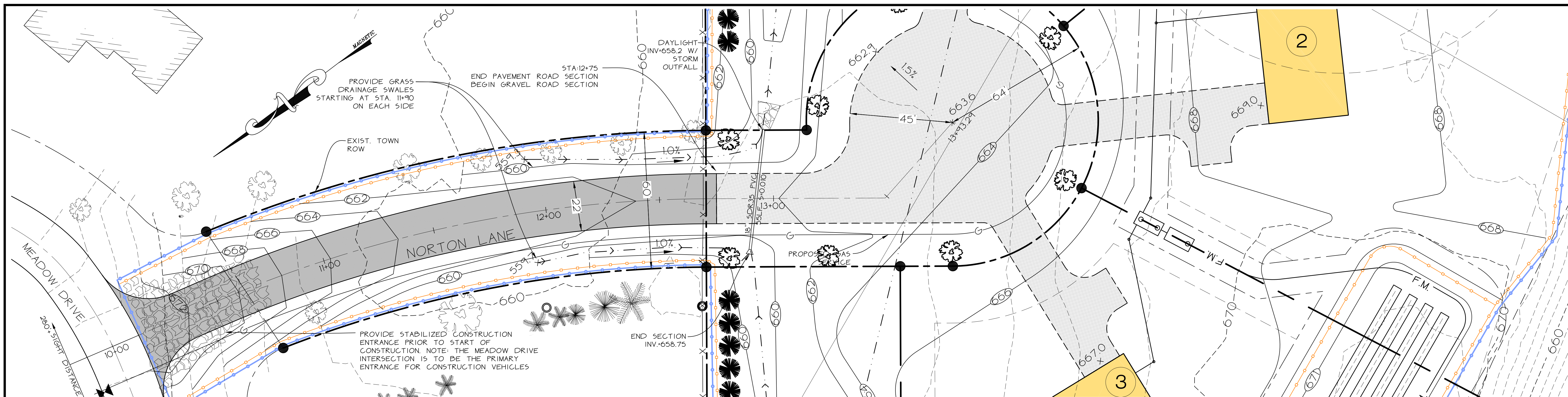
THE CONTRACTOR SHALL NOTIFY "DIGSAFE" AT 1-888-DIG-SAFE PRIOR TO ANY EXCAVATION.



Owner
 DEAN DAVIS
 44 RACEWAY ROAD
 JERICHO, VT 05452

Applicant
 ATWOOD ENTERPRISES, LTD.
 (C/O STEVE ATWOOD)
 9 VALE DRIVE
 ESSEX JCT., VT 05452

DATE: 3/22/19	REMOVED 3 DUPLEX UNITS AND REPLACED WITH 3 SINGLE FAMILY HOMES	BY: DJH
DATE: 3/20/19	REVISED PRIVATE ROADWAY WIDTH TO 22' WITH 2' SHOULDER AND UPDATED IMPERVIOUS AREA	DATE: 2/15/19
SURVEY: OBCA	<input checked="" type="checkbox"/> RECORD DRAWING <input type="checkbox"/> PRELIMINARY	DATE: 2013-112
DESIGN: OBCA	<input checked="" type="checkbox"/> FINAL <input type="checkbox"/> SKETCH/CONCEPT	FILE: 2013-112-510
DESIGN: DJH	O'LEARY-BURKE CIVIL ASSOCIATES, PLC	
DRAWN: DJH	13 CORPORATE DRIVE ESSEX JCT., VT PHONE: 878-9590 FAX: 878-9589	
CHECKED: DJH	RACEWAY RD. JERICHO, VT	
SCALE: 1"=80'	Overall Plan	
		1

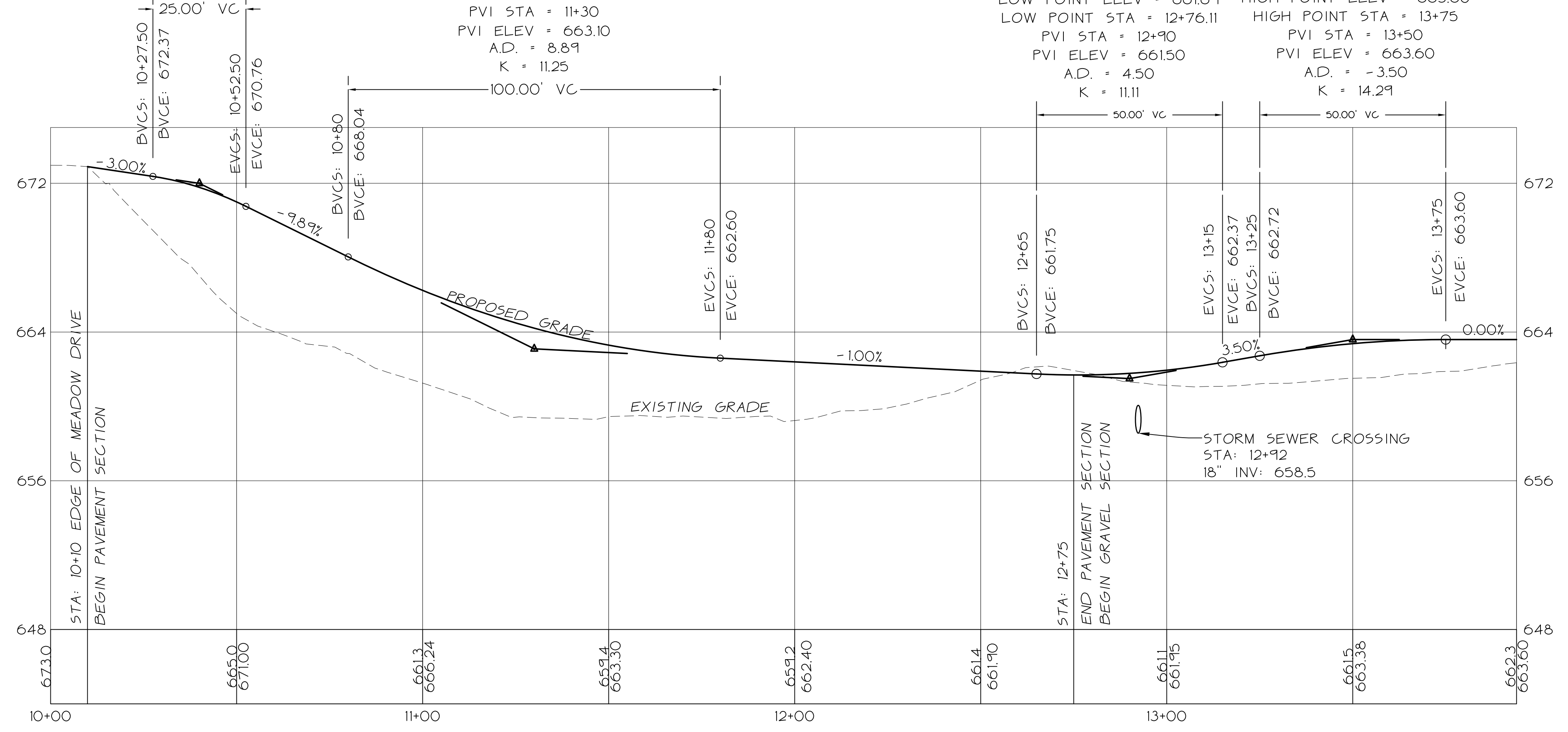


Legend	
	PROJECT BOUNDARY
	OTHER PROPERTY LINE
	BUILDING SETBACK
	CONTOUR LINE (U.S.G.S. DATUM)
	PROPOSED FINISH GRADE CONTOUR
	EDGE OF WOODED AREA
	EXISTING IRON PIPE
	EXISTING CONCRETE MONUMENT
	IRON PIPE (TO BE SET)
	CONCRETE MONUMENT (TO BE SET)
	PROPOSED SEWER LINE
	PROPOSED STORMLINE
	PROPOSED WATERLINE
	SILT FENCE
	CONSTRUCTION SKI TAPE
	PAVEMENT ROADWAY SECTION
	GRAVEL ROADWAY SECTION

PVI STA = 10+40
 PVI ELEV = 672.00
 A.D. = -6.89
 K = 3.63

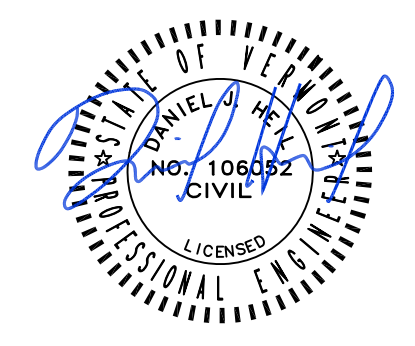
PVI STA = 11+30
 PVI ELEV = 663.10
 A.D. = 8.89
 K = 11.25

LOW POINT ELEV = 661.69 HIGH POINT ELEV = 663.60
 LOW POINT STA = 12+76.11 HIGH POINT STA = 13+75
 PVI STA = 12+90 PVI STA = 13+50
 PVI ELEV = 661.50 PVI ELEV = 663.60
 A.D. = 4.50 A.D. = -3.50
 K = 11.11 K = 14.29



NORTON LANE PROFILE
 10+00 - 13+93.29
 HORIZONTAL SCALE:
 1" = 20'
 VERTICAL SCALE:
 1" = 4'

THE CONTRACTOR SHALL NOTIFY "DIGSAFE" AT 1-888-DIG-SAFE PRIOR TO ANY EXCAVATION.



DATE: 3/22/19	REMOVED 3 DUPLEX UNITS AND REPLACED WITH 3 SINGLE FAMILY HOMES	BY: DJH
DATE: 3/20/19	REVISED PRIVATE ROADWAY WIDTH TO 22' WITH 2' SHOULDER	DATE: 2/15/19
SURVEY: OBCA	RECORD DRAWING	PRELIMINARY
DESIGN: OBCA	FINAL	SKETCH/CONCEPT
DRAWN: DJH	O'LEARY-BURKE CIVIL ASSOCIATES, PLC	
CHECKED: DWB	13 CORPORATE DRIVE, ESSEX, VT 05732-9999, PHONE: 878-9999, FAX: 878-9999	
SCALE: AS SHOWN	NORTON MEADOWS RACEWAY RD. JERICO, VT	
	Plan and Profile	
		PLAN SHEET # 3

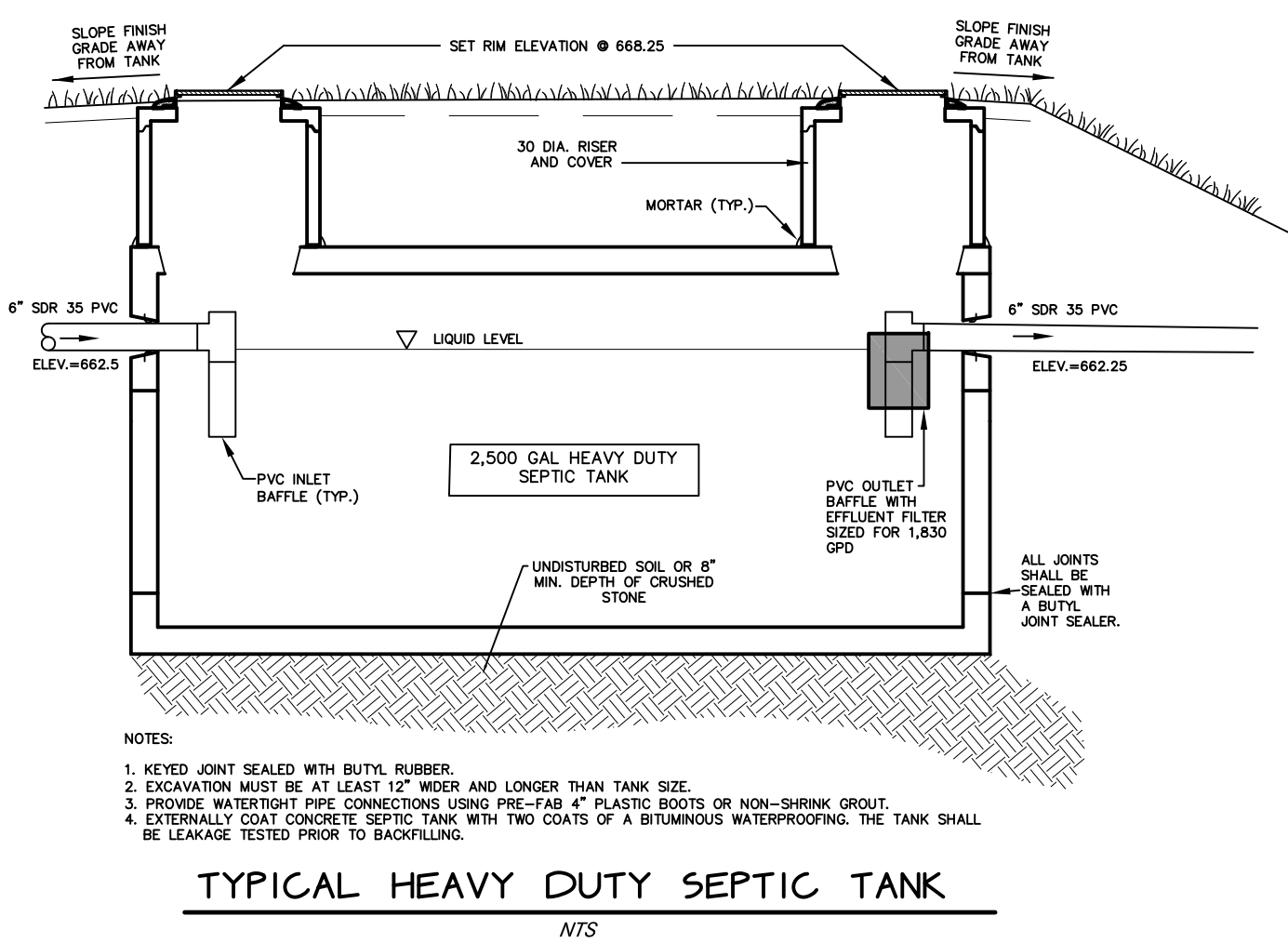
SUMMARY OF SOIL TEST PIT LOGS

ALL TEST PITS BY BACKHOE
 LOGGED BY DAVID DURKE, LICENSED DESIGNER 316D
 PERFORMED ON MAY 28, 2014 WITH DILL ZADILOSKI PRESENT

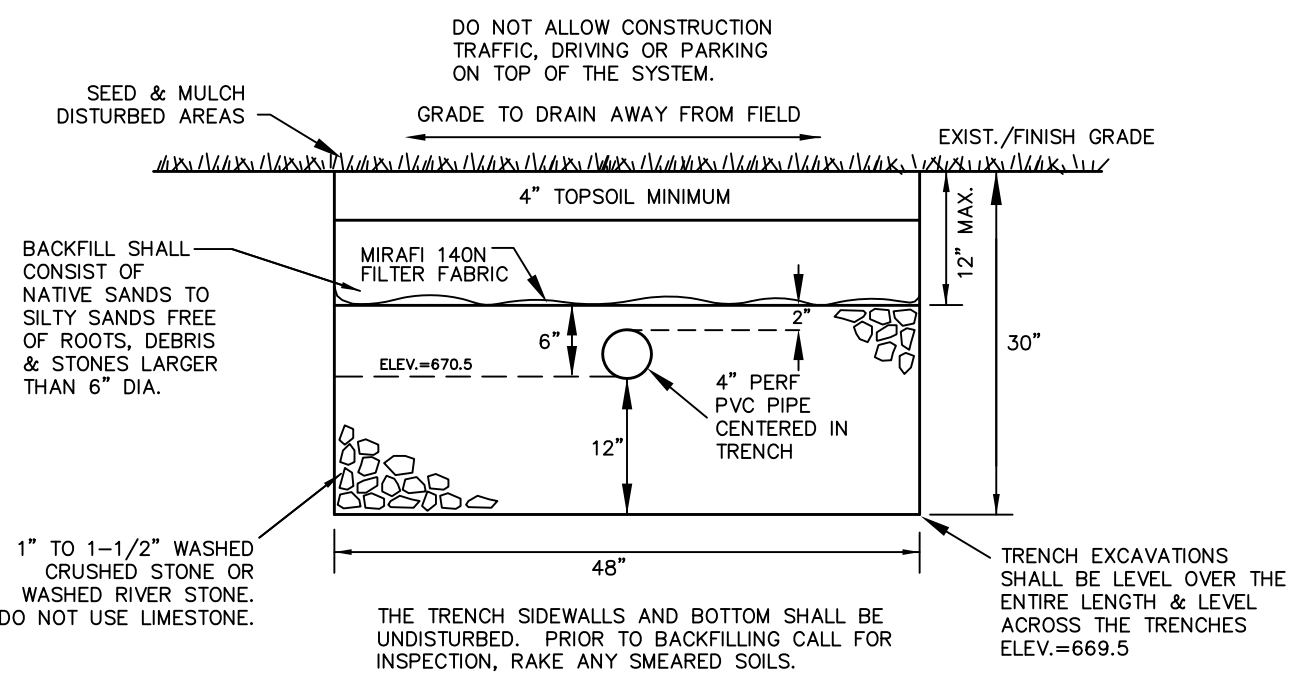
TEST PIT #1	TEST PIT #2	TEST PIT #3	TEST PIT #4	TEST PIT #5	TEST PIT #6
0-12" DARK BROWN LOAM RED/BROWN SANDY LOAM OLIVE/BROWN SILTY SAND 25-47" GREY COURSE SAND W/ 20% GRAVEL NO WATER, NO LEDGE, REDOX @ 23"	0-12" DARK BROWN LOAM RED/BROWN SANDY LOAM OLIVE/BROWN SILTY SAND 25-47" GREY COURSE SAND W/ 20% GRAVEL NO WATER, NO LEDGE, REDOX @ 23"	0-5" DARK BROWN LOAM RED/BROWN SANDY LOAM LIGHT BROWN FINE SAND 32-54" OLIVE/BROWN SILTY SAND, FIRM GREY/BROWN SINGLE GRAIN SAND 73-85" GREY/BROWN SINGLE GRAIN SAND 85-101" GREY/BROWN COURSE SAND W/ 30% GRAVEL NO WATER, NO LEDGE, REDOX @ 29-54"	0-7" DARK BROWN LOAM RED/BROWN SANDY LOAM LIGHT BROWN FINE SAND 8-21" GREY/BROWN SILTY SAND 21-35" GREY/BROWN SILTY SAND 35-58" GREY/BROWN COURSE SAND W/ 30% GRAVEL NO WATER, NO LEDGE, REDOX @ 32-58"	0-6" DARK BROWN LOAM RED/BROWN SANDY LOAM BROWN SANDY LOAM W/ 10% GRAVEL 6-20" GREY/BROWN SAND W/ 40% GRAVEL 20-67" NO WATER, NO LEDGE, NO REDOX	0-6" DARK BROWN LOAM RED/BROWN SANDY LOAM OLIVE/BROWN SAND W/ 20% GRAVEL 8-16" GREY/BROWN SAND W/ 30% GRAVEL 17-43" GREY COURSE SAND W/ 30% GRAVEL 43-53" GREY/BROWN SAND 53-91" NO WATER, NO LEDGE, NO REDOX

TABLE A - SEWAGE SYSTEM INFORMATION

SYSTEM / UNIT #	DAILY FLOWS	TOTAL FLOWS	SEPTIC TANK	APP. RATE	REQ'D ABSORPTION	PROPOSED ABSORPTION
LOTS 1-3	3 UNIT @ 560 GPD/UNIT	1,680 GPD	2,500 GAL (CAMP HD6-12)	---	---	---
DISPOSAL AREA	3 UNIT @ 560 GPD/UNIT	1,680 GPD	SEE ABOVE	15 GAL/95F/DAY	1,120 SF	1,280 SF



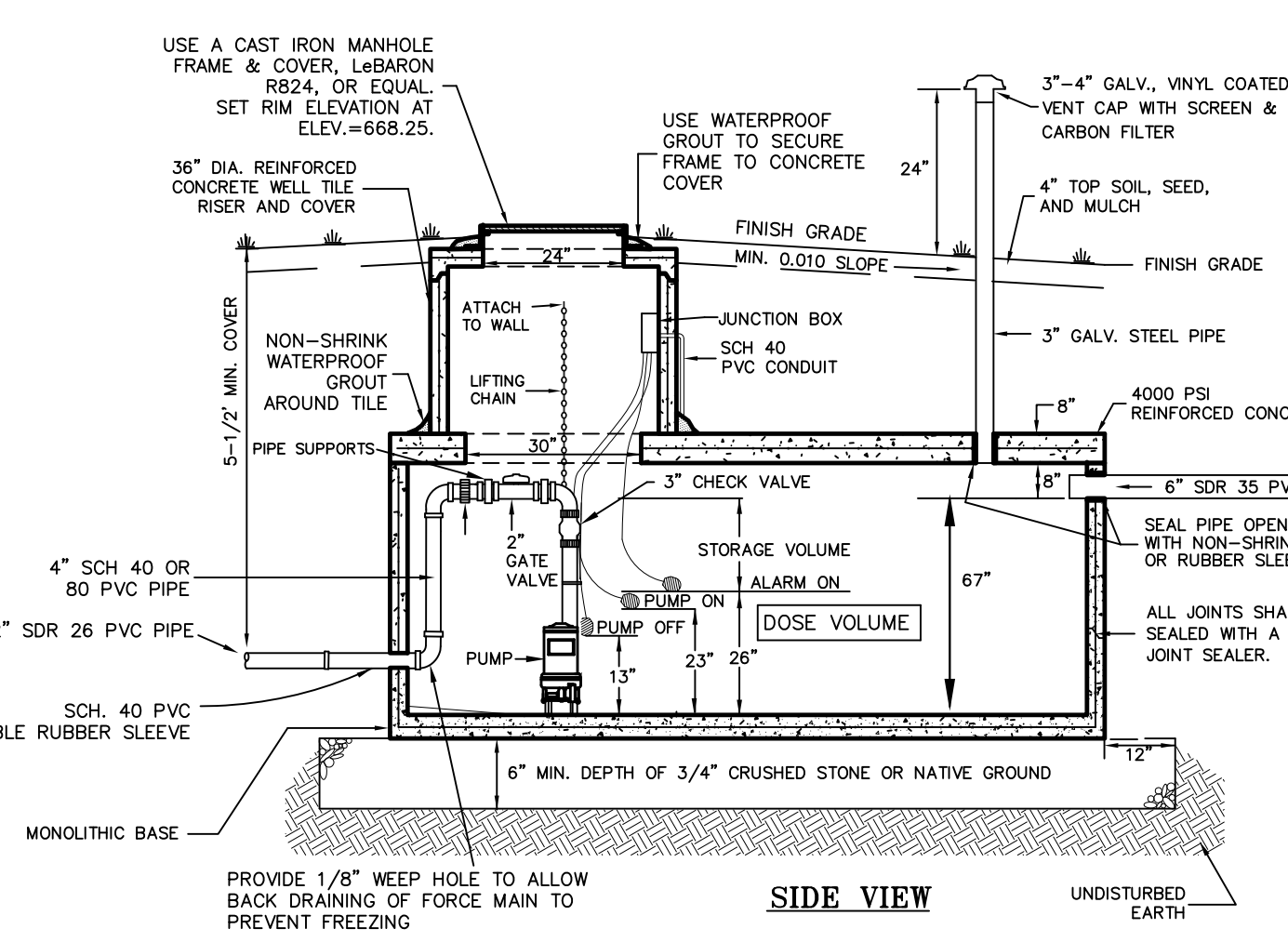
TYPICAL HEAVY DUTY SEPTIC TANK
 NTS



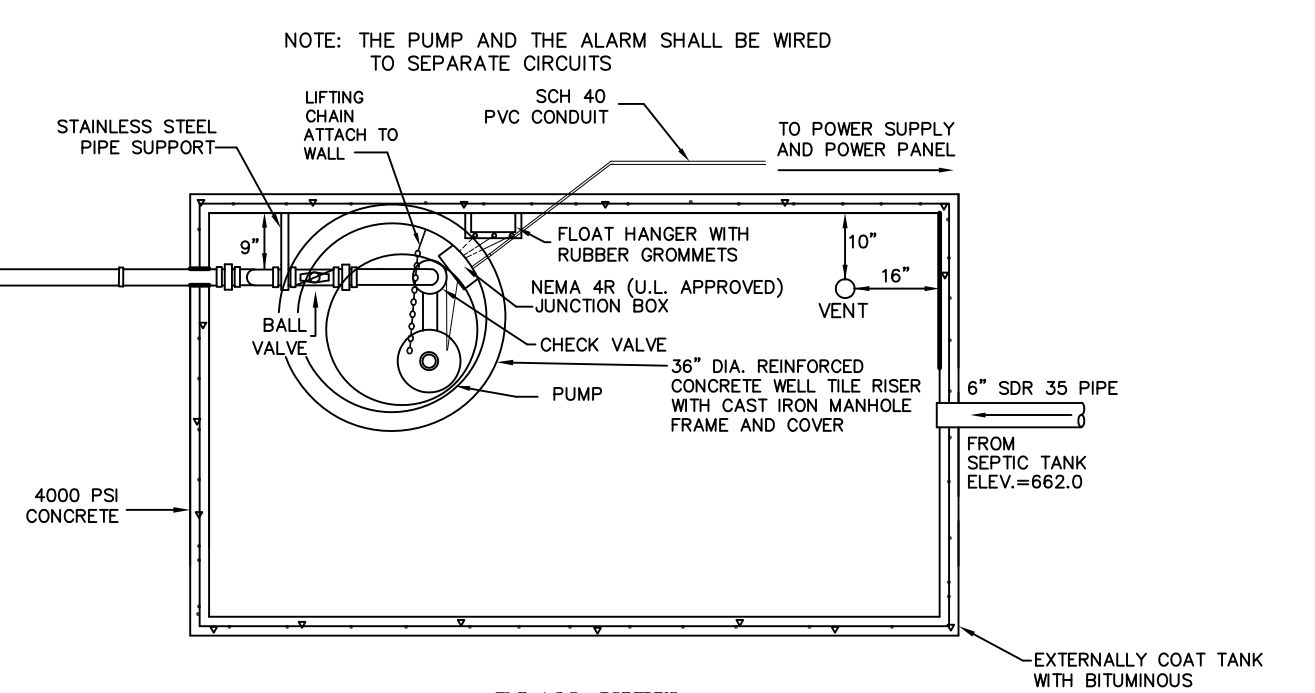
TYPICAL ABSORPTION TRENCH
 NTS

TABLE B - PUMP STATION INFORMATION

SYSTEM / LOT #	DAILY FLOW	PUMP CHAMBER SIZE	STORAGE / VF	PUMP OFF	PUMP ON	DOSE VOLUME	ALARM	DEPTH	STORAGE / GAL
LOTS 1-3	1,680 GPD	3,000 GAL, HD6-12	539 GAL	13'	23'	449 GAL	20'	67'	1,841 (4T)



TYPICAL PUMP STATION
 NTS



TYPICAL PUMP STATION
 NTS

PUMP REQUIREMENTS

LOTS 1-3
 2" FORCE MAIN (235') = 3 FT
 STATIC LIFT (E.T.O.S. = 657.5) = 13 FT
 VALVES AND FITTINGS = 3 FT
 MIN. DISCHARGE RATE = 30 GPM
 TOTAL HEAD LOSS = 19 FT
 USE ONE (1) PUMP, SINGLE PHASE, 230 VOLTS, MINIMUM PASSING DIAMETER = 1.25" SOLID SPHERE, 2" DISCHARGE PIPE CONNECTION, MINIMUM CAPACITY: 30 GPM @ 19 FT TDH.

SEE TABLE 'B' & PUMP REQUIREMENTS ABOVE FOR ADDITIONAL INFORMATION

SHARED SYSTEM LAYOUT (LOTS 1-3)



SHARED SYSTEM LAYOUT (LOTS 1-3)
 NTS

*THE PRIMARY & REPLACEMENT SYSTEMS SHALL BE CONSTRUCTED AT THE SAME TIME. ONCE UNITS 1-3 ARE CONSTRUCTED, THE SYSTEM SHALL BE ALTERNATED ANNUALLY IN THE SPRING (LATE APRIL / EARLY MAY).

THE CONTRACTOR SHALL NOTIFY "DIGSAFE" AT 1-888-DIG-SAFE PRIOR TO ANY EXCAVATION.

STAKE-OUT REQUIREMENTS

- THE SEWAGE SYSTEM LOCATIONS SHALL BE STAKED OR VERIFIED BY O'LEARY-BURKE CIVIL ASSOCIATES, PLC PRIOR TO CONSTRUCTION.

GENERAL SPECIFICATIONS

- UTILITIES INFORMATION SHOWN ON THIS PLAN WAS OBTAINED FROM AVAILABLE SOURCES AND MAY OR MAY NOT BE EITHER ACCURATE OR COMPLETE. THE CONTRACTOR SHALL VERIFY EXACT LOCATION OF EXISTING UTILITIES AND SHALL BE RESPONSIBLE FOR ANY DAMAGE TO ANY UTILITY, PUBLIC OR PRIVATE, SHOWN OR NOT SHOWN ON THIS PLAN.
- PRIOR TO CONSTRUCTION, ALL MATERIALS, INCLUDING STONE SHALL BE APPROVED BY THE ENGINEER.
- ALL FILL AROUND THE STRUCTURES SHALL BE PLACED IN 12" LIFTS AND THOROUGHLY COMPACTED TO 95% OF MAXIMUM DENSITY AT OPTIMUM MOISTURE CONTENT.

CONSTRUCTION SPECIFICATIONS

- THE OULET PIPE FROM THE SEPTIC TANK TO THE PUMP STATION SHALL BE 6" SDR 35 PVC AT A MINIMUM SLOPE OF 0.0104. THE PIPE SHALL BE LAID ON UNDISTURBED GROUND OR PROPERLY BEDDED.
- A DISTRIBUTION BOX SHALL BE INSTALLED BETWEEN THE PUMP STATION, IF APPLICABLE AND THE ABSORPTION TRENCHES. THE DISTRIBUTION BOX SHALL BE SET LEVEL ON UNDISTURBED GROUND TO EVENLY DISTRIBUTE THE EFFLUENT TO EACH DISTRIBUTION LINE. ADEQUATE PROVISIONS SHALL BE TAKEN TO ASSURE THE STABILITY AND ACCESSIBILITY OF THE DISTRIBUTION BOX FOR INSPECTIONS. LEVELNESS OF THE DISTRIBUTION BOX SHALL BE WITNESSED BY THE ENGINEER & AN AUTHORIZED TOWN REPRESENTATIVE.
- EACH DISTRIBUTION LINE SHALL CONNECT INDIVIDUALLY TO THE DISTRIBUTION BOX AND EXIT AT THE SAME SLOPE FOR THE FIRST 5 FEET TO 10 FEET. THE PIPE CONNECTING THE DISTRIBUTION BOX TO THE DISTRIBUTION LINES SHALL BE WATERTIGHT AND LAID ON UNDISTURBED GROUND OR PROPERLY BEDDED.
- WHEN THE TRENCHES HAVE BEEN EXCAVATED, THE SIDES AND BOTTOM SHALL BE RAKED TO LOOSEN ANY SMEARED SOIL SURFACES.
- CONSTRUCTION EQUIPMENT SHALL BE KEPT OFF THE AREA TO BE USED FOR SEWAGE DISPOSAL AS MUCH AS POSSIBLE TO PREVENT COMPACTION OF THE SOILS.
- PLACEMENT OF CRUSHED STONE IN THE TRENCHES SHALL BE INITIATED IMMEDIATELY AFTER TRENCH EXCAVATION IS COMPLETED. THIS WILL REQUIRE THAT THE ENGINEER & AUTHORIZED TOWN INSPECTOR BE PRESENT AT THE TIME OF COMPLETION OF TRENCH EXCAVATION (SEE INSPECTION SPECIFICATIONS).
- 12" OF CLEAN CRUSHED STONE (3/4" TO 1-1/2" INCHES) SHALL BE PLACED IN THE BOTTOM OF THE TRENCHES IN ACCORDANCE WITH THE PLANS. THE DISTRIBUTION LINE SHALL BE CAREFULLY PLACED ON THE BEDDING AT A UNIFORM SLOPE (1/8" INCH PER 10 FEET) AND COVERED WITH AT LEAST 2 INCHES OF STONE. THE ENDS OF THE DISTRIBUTION LINES SHALL BE CAPPED.
- THE GRADING SHALL DIRECT RUN-OFF AWAY FROM THE SEPTIC SYSTEM AREAS AND BE SMOOTH AND FREE OF POCKETS WITH SUFFICIENT SLOPE TO ENSURE DRAINAGE.

INSPECTION REQUIREMENTS

- THE CONTRACTOR SHALL NOTIFY THE ENGINEER & AUTHORIZED TOWN INSPECTOR A MINIMUM OF 24 HOURS IN ADVANCE FOR INSPECTION OF THE BOTTOM OF THE TRENCHES PRIOR TO PLACEMENT OF STONE AND PIPING.
- THE CONTRACTOR SHALL NOTIFY THE ENGINEER & AUTHORIZED TOWN INSPECTOR A MINIMUM OF 24 HOURS IN ADVANCE FOR INSPECTION OF THE SYSTEM PRIOR TO BACKFILLING, INCLUDING THE DISTRIBUTION BOX (LEVELNESS CHECK) & SEPTIC TANK.
- PUMP STATIONS: WITNESSING OF PUMP ON, OFF AND ALARM OPERATION, CHECK OF PUMPING RATE AND EMERGENCY STOP VOLUME.
- THIS DESIGN MUST BE INSPECTED BY O'LEARY-BURKE CIVIL ASSOCIATES, PLC ESSEX JUNCTION, VERMONT TO ENSURE COMPLIANCE WITH THESE PLANS. O'LEARY-BURKE CIVIL ASSOCIATES WAIVES ANY AND ALL RESPONSIBILITY AND LIABILITY FOR PROBLEMS THAT ARISE FROM FAILURE TO FOLLOW FAILURE TO FOLLOW SPECIFICATIONS, AND THE DESIGN INTENT THAT THE PLANS CONVEY, AND FROM FAILURE TO HAVE BEEN NOTIFIED BY THE CONTRACTOR FOR INSPECTIONS.

OPERATION & MAINTENANCE RECOMMENDATIONS

- THE SEPTIC TANK'S PURPOSE IS TO SETTLE OUT SOLIDS, CONTAIN THE SCUM AND PASS TREATED EFFLUENT. BACTERIA WITHIN THE SEPTIC TANK HELPS DECOMPOSE THE SOLIDS. SHOULD ANY SOLIDS PASS THROUGH THE SEPTIC TANK INTO THE SYSTEM, PREMATURE CLOGGING OF THE PIPING, STONE OR NATIVE SOIL BENEATH THE SYSTEM IS LIKELY TO OCCUR. ONLY HUMAN WASTES SHOULD ENTER THE SEWAGE SYSTEM. WATER USE SHOULD BE CONSERVATIVE AND CLEANING AGENTS CAN NOT ENTER THE SYSTEM, AS THEY KILL BACTERIA.
- ONCE PER YEAR, THE DEPTH OF SCUM AND SLUDGE IN THE SEPTIC TANK SHOULD BE MEASURED AND THE TANK SHALL BE PUMPED IF:
 - THE SLUDGE LEVEL IS WITHIN 12 INCHES OF THE BOTTOM OF THE INLET TEE.
 - THE SCUM LAYER IS WITHIN 3 INCHES OF THE TOP OF THE OUTLET TEE.
 - IF A OR B IS ANTICIPATED TO OCCUR PRIOR TO THE NEXT INSPECTION.
 - IN ANY CASE, THE TANK SHALL BE PUMPED AT A MAXIMUM 5 YEAR INTERVAL.
- ONCE A YEAR, THE DISTRIBUTION BOX'S SHOULD BE INSPECTED AND ANY SETTLED SOLIDS REMOVED.
- ONCE A YEAR, THE PUMP CHAMBER, IF ANY SHALL BE INSPECTED AND ANY SETTLED SOLIDS REMOVED AND FLOATS SHALL BE CHECKED FOR PROPER OPERATION.
- ONCE PER YEAR IN THE SPRING, THE ALTERNATING VALVES FOR THE SHARED SYSTEMS SHALL BE UTILIZED TO PROVIDE YEARLY ALTERNATING USE OF THE PRIMARY & REPLACEMENT SEWAGE SYSTEMS.
- ABOVE ITEMS 1 - 5 ARE INTENDED TO PROLONG THE LIFE OF THE SYSTEM, NOT GUARANTEE IT. A PROPERLY OPERATED & MAINTAINED SYSTEM GENERALLY FUNCTIONS PROPERLY FOR 8 - 25 YEARS.

PERCOLATION TEST RESULTS

TESTS PERFORMED ON 7/21/2014
 BY JORDAN YOUNG

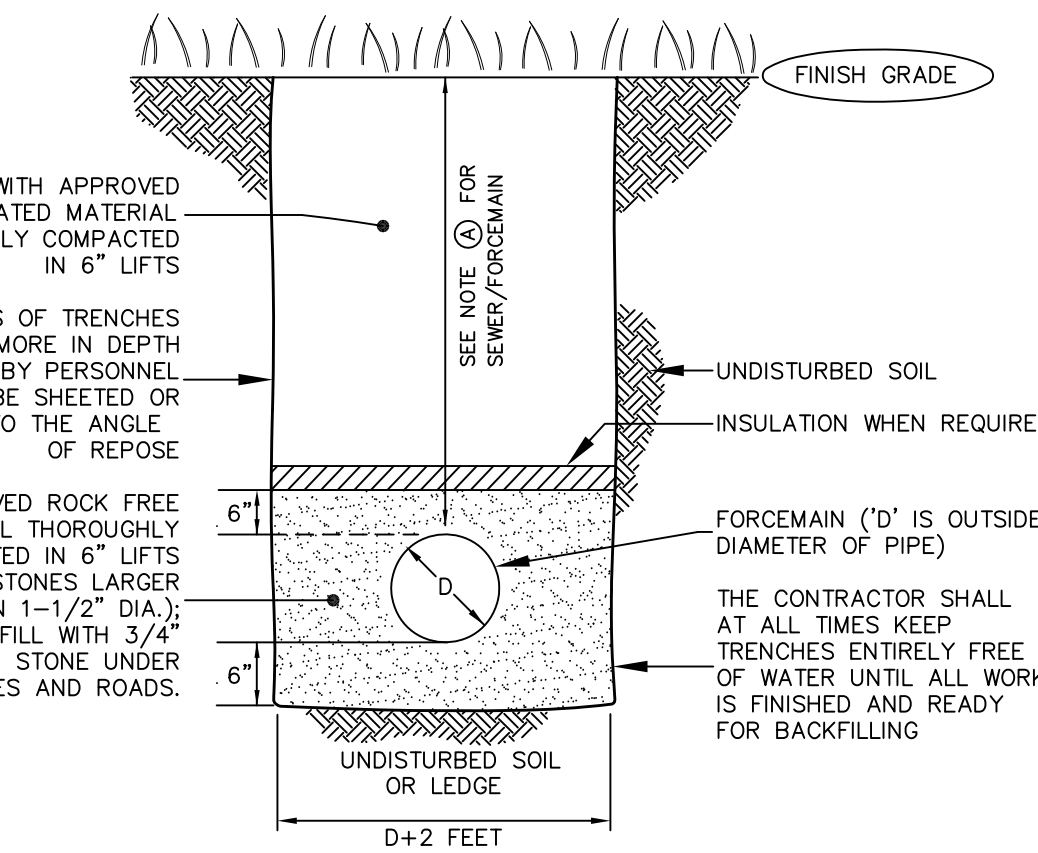
ALL TESTING PERFORMED IN MOST DENSE LAYER IN SOIL PROFILE

TEST NUMBER	TEST DEPTH (INCHES)	PERCOLATION RATE (MINUTES/INCH)
1	30"	1.4 MIN./INCH
2	30"	1.9 MIN./INCH
3	30"	3.5 MIN./INCH

SEWAGE DESIGN INFORMATION

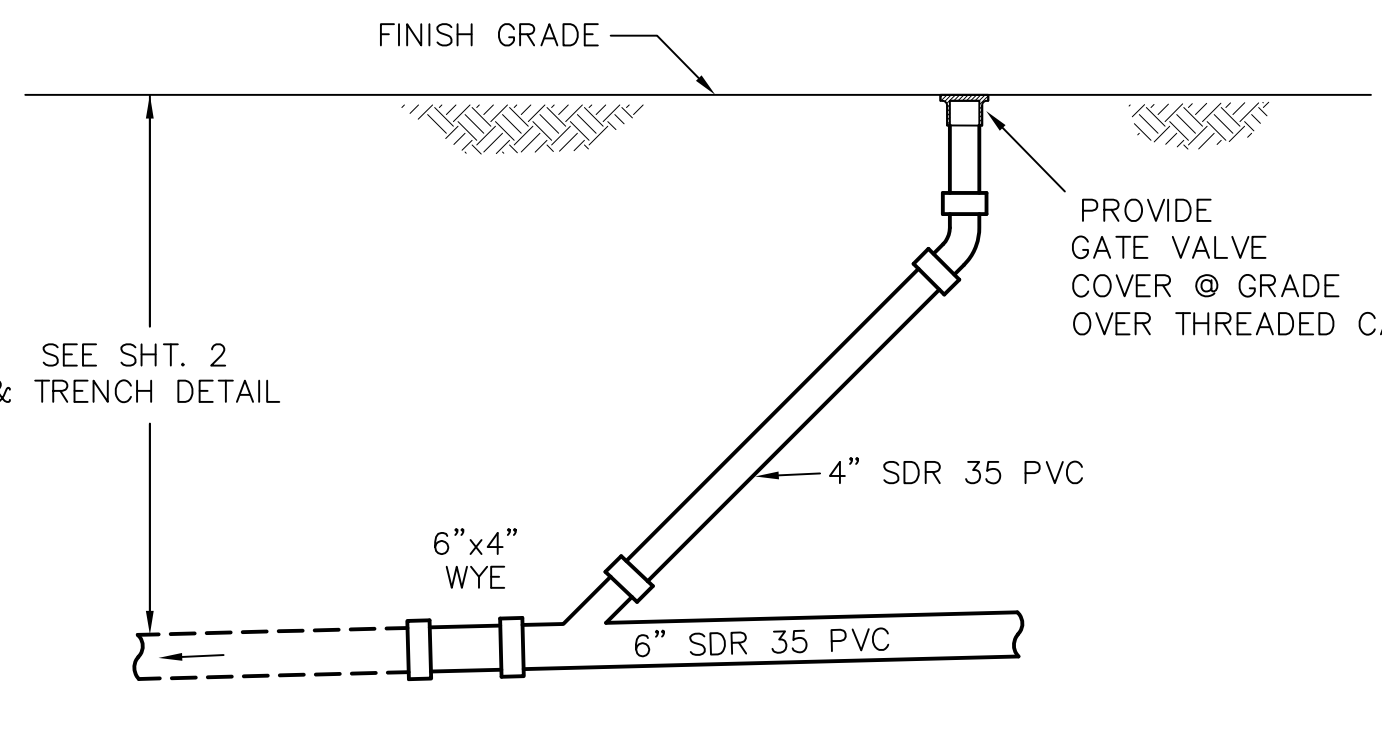
- IT IS THE OPINION OF THE ENGINEER THAT THE SOIL CONDITIONS WITHIN THE PROPOSED SEWAGE DISPOSAL AREAS MEET THE STATE OF VERMONT EPR RULES & ARE SUITABLE FOR CONVENTIONAL SUBSURFACE SEWAGE AS SHOWN ON THESE PLANS.
- THE SEWAGE DISPOSAL SYSTEM SHALL BE CONSTRUCTED IN ACCORDANCE WITH THE TOWN OF JERICHO REGULATIONS AND THE VERMONT ENVIRONMENTAL PROTECTION RULES.
- THE FOLLOWING MINIMUM ISOLATION DISTANCES SHALL BE MAINTAINED FROM THE DISPOSAL AREA TO:

PROPERTY LINE	25 FEET
BUILDING (NO FOOTING DRAIN; LOTS 2-3)	25 FEET
BUILDING (WITH FOOTING DRAIN; LOT 1)	75 FEET
DRIVEWAYS	10 FEET
TREES	10 FEET

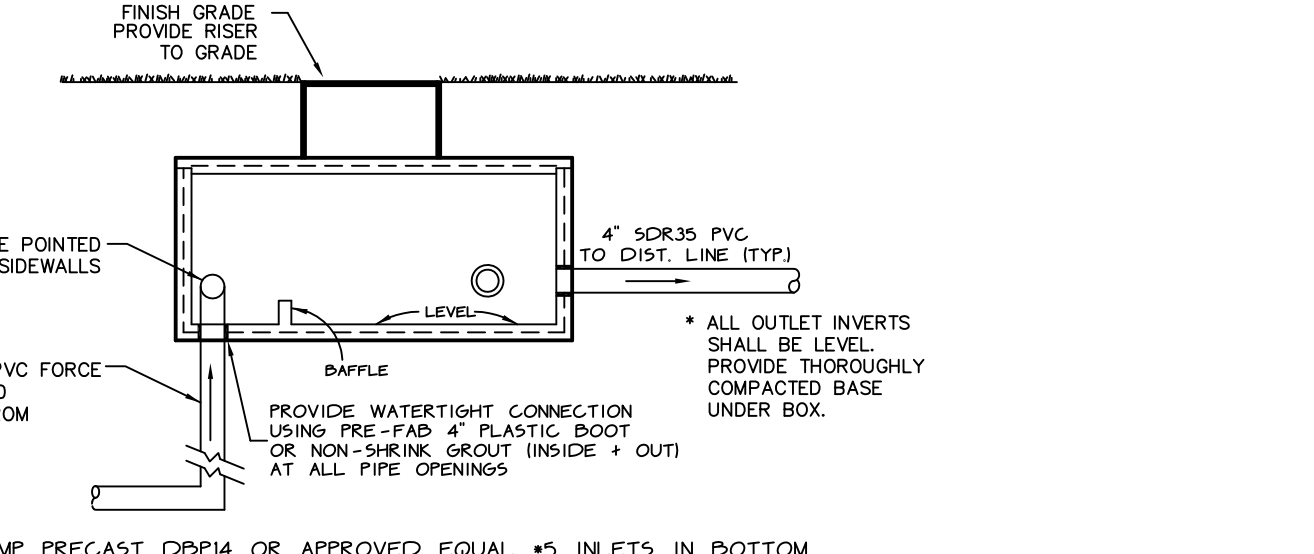


TYPICAL SEWER & FORCEMAIN TRENCH
 NTS

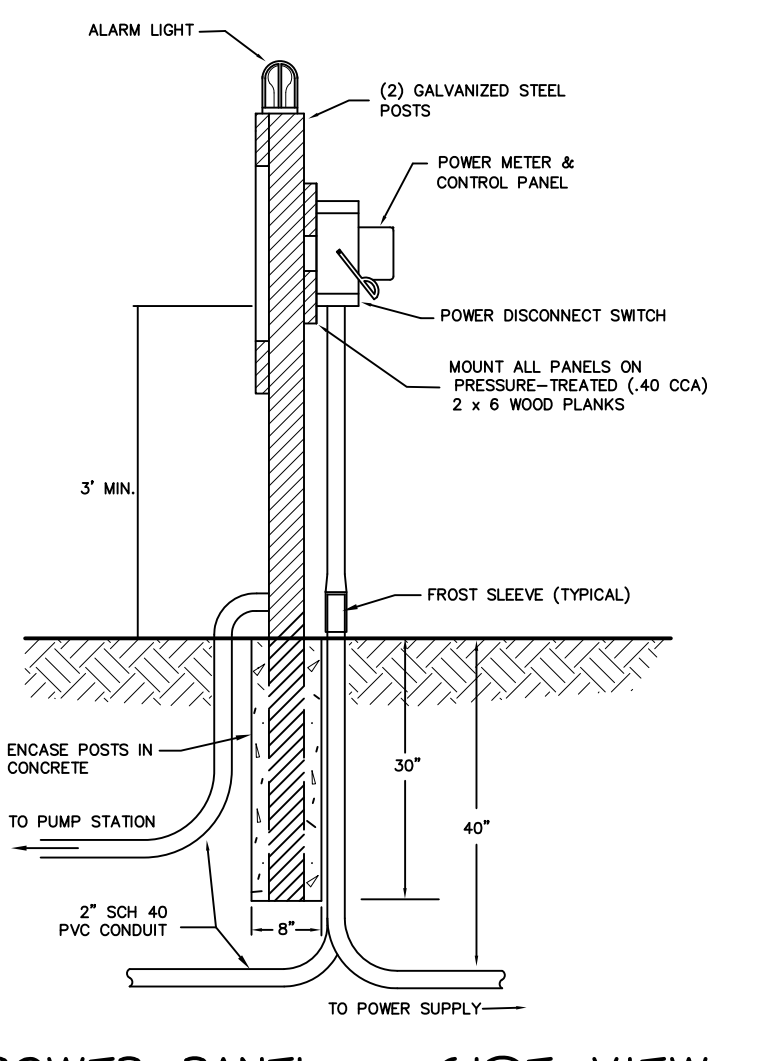
NOTE (A) (FOR SEWER AND FORCEMAIN TRENCHES):
 IF COVER IS LESS THAN 4' OVER SEWER, PLACE 2" WIDE BY 4" THICK INSULATION BOARD, SUITABLE FOR BURIAL, ON A 6" BED OF SAND OVER THE PIPE. IN NO CASE SHALL DEPTH OF SEWER COVER BE LESS THAN 2'.



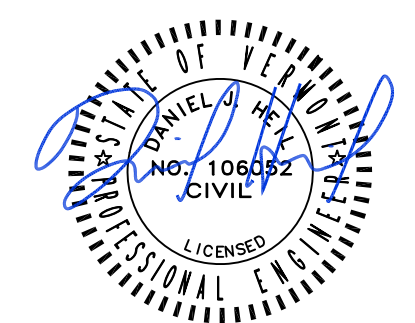
CLEANOUT DETAIL
 NTS



TYPICAL FORCE MAIN PRESSURE DISTRIBUTION BOX
 NTS



POWER PANEL - SIDE VIEW
 NTS



DATE 3/22/19
 SURVEY OBCA
 DESIGN OBCA
 DRAWN DJH
 CHECKED DWB
 SCALE N.T.S.

REVISOR: REVISED SEWAGE DESIGN TO REFLECT 3 SINGLE FAMILY HOMES

RECORD DRAWING
 PRELIMINARY
 FINAL
 SKETCH/CONCEPT

O'LEARY-BURKE CIVIL ASSOCIATES, PLC
 13 CORPORATE DRIVE
 ESSEX, VT
 PHONE: 878-9580
 FAX: 878-9589

NORTON MEADOWS
 RACEWAY RD. JERICHO, VT
 Sewage Disposal
 Details & Specifications

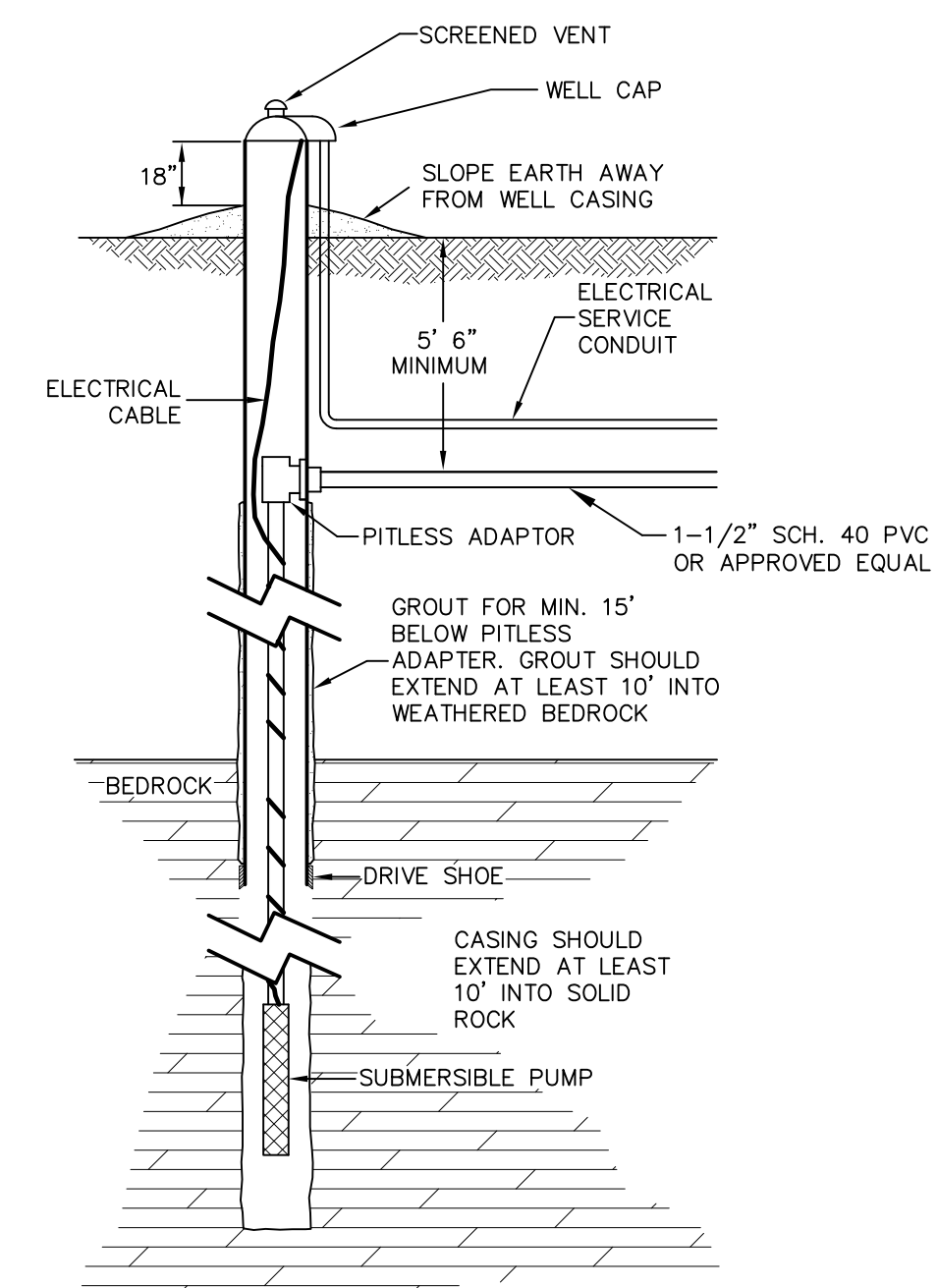
DATE 2/15/19
 JOB# 2013-112
 FILE 2013-112-S10
 PLAN SHEET # 4

INDIVIDUAL DRILLED WELL DESIGN DATA

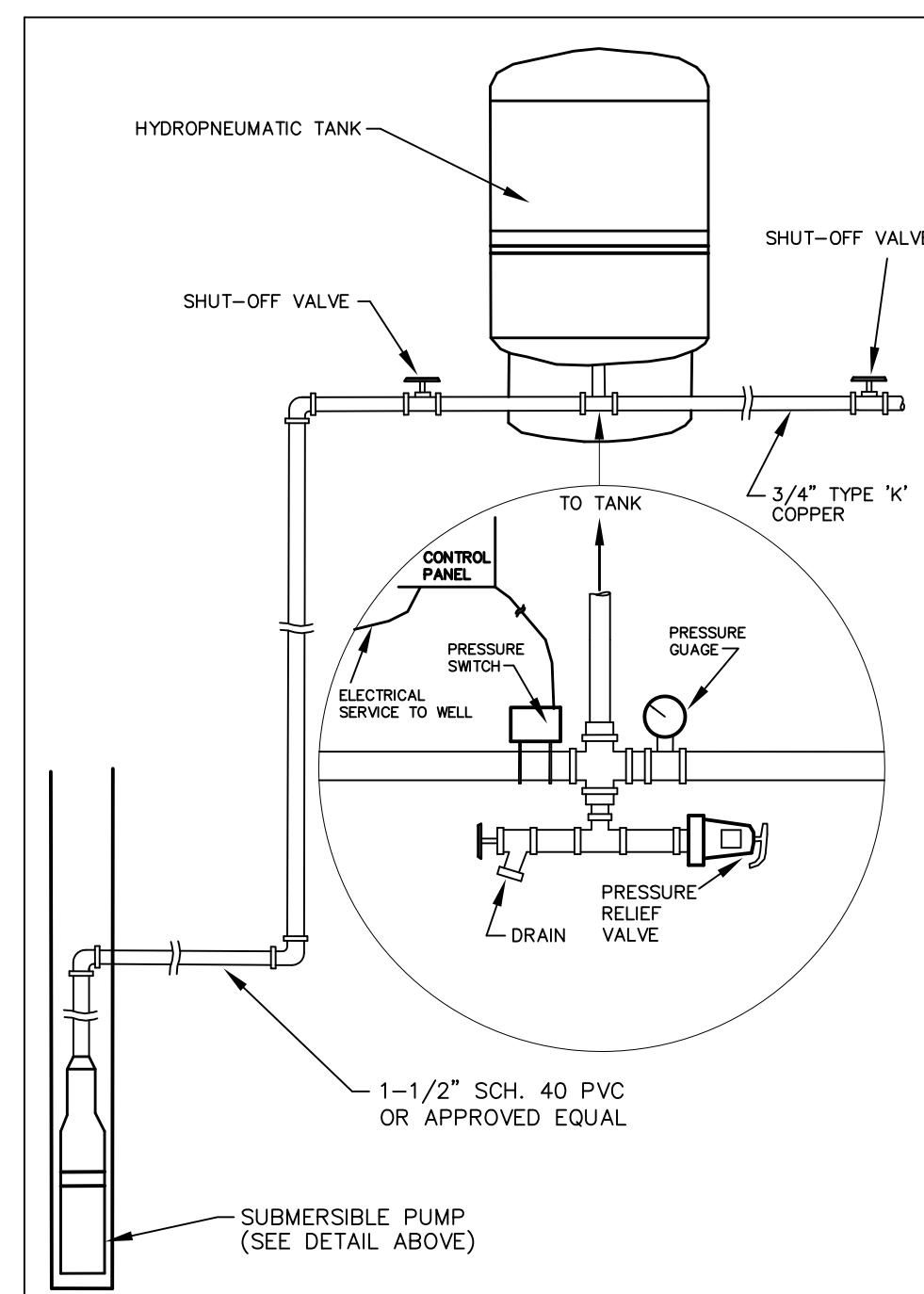
- THE DRILLED WELL(S) CONSTRUCTION, LOCATION, DISINFECTION AND TESTING SHALL BE IN ACCORDANCE WITH THE STATE OF VERMONT - WATER SUPPLY
- THE BASIS OF DESIGN FOR EACH DRILLED WELL IS
 - AVG. DAY DEMAND : 560 GPD
 - MAX. DAY DEMAND : 560 GPD/720 MIN/DAY = 0.78 GPM
 - INSTANTANEOUS PEAK DEMAND : 5 GPM
 - SOURCE CAPACITY TO BE DETERMINED. AREA WELL LOGS SHOW AN ADEQUATE WATER SOURCE IN THE PROJECT AREA.
 - STORAGE CAPACITY: SIZE TO BE DETERMINED BASED ON WELL YIELD (IF REQUIRED).
 - PUMP CAPACITY AT HOUSE: 5 GPM MINIMUM
 - OPERATING PRESSURE RANGE: 40 - 60 PSI AT PRESSURE SWITCH

DRILLED WELL ISOLATION DISTANCES

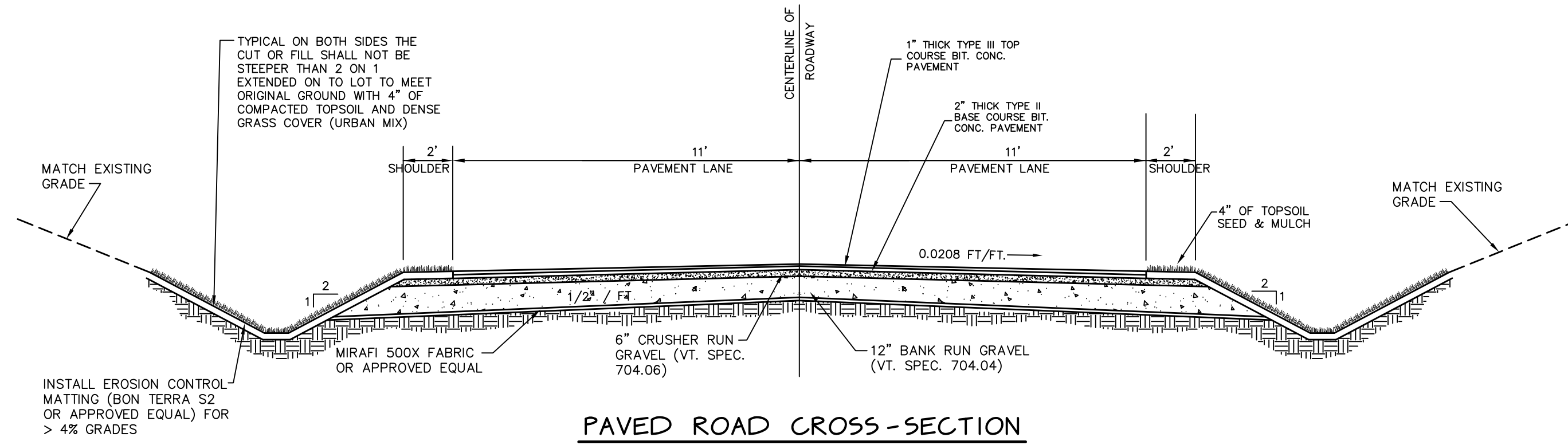
ROADWAY, PARKING	25 FEET
DRIVES, < 3 RESIDENCES	15 FEET
SEWAGE PIPING / TANKS	50 FEET
PROPERTY LINE	10 FEET
SURFACE WATER	10 FEET
BUILDINGS	10 FEET
SEWAGE SYSTEM:	
DOWNSLOPE WELL	200 FEET
UPSLOPE WELL	100 FEET



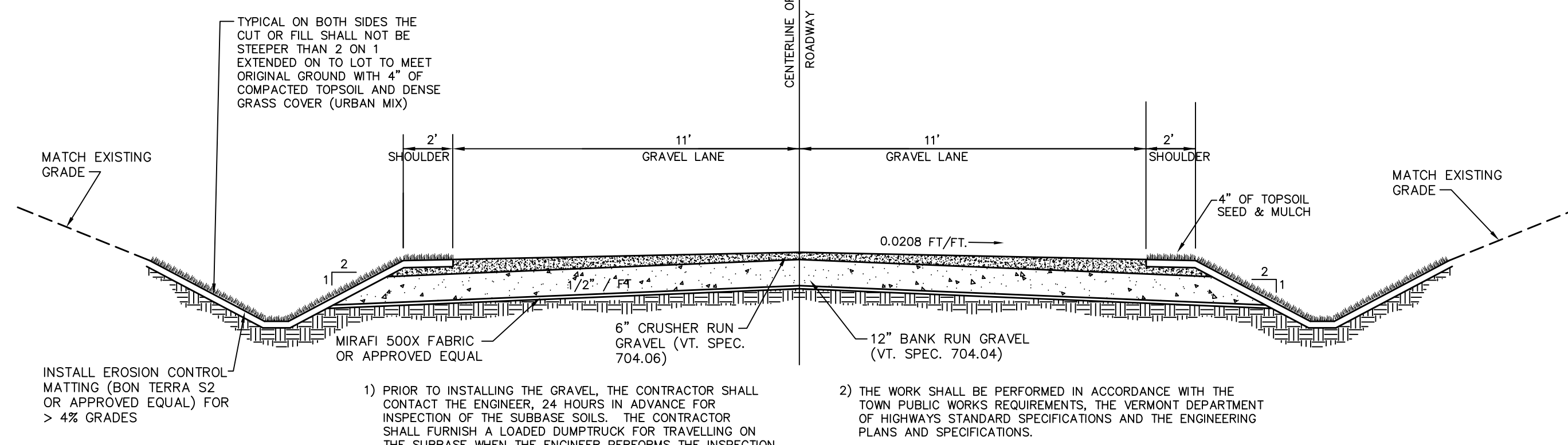
TYPICAL DRILLED WELL
NTS



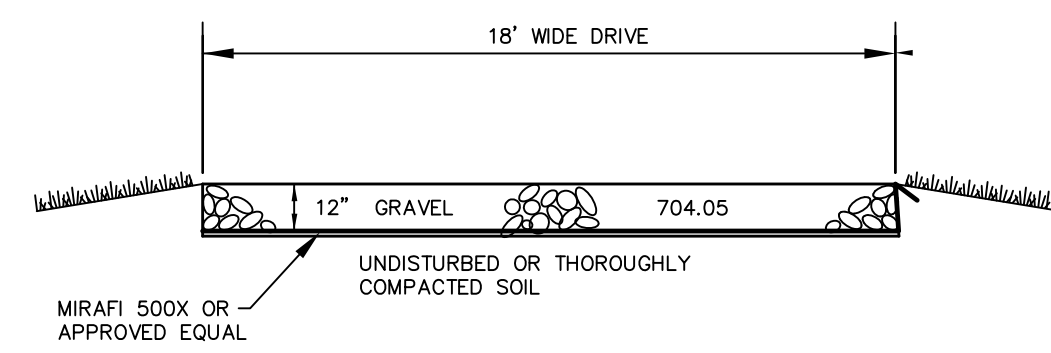
TYPICAL WATER SYSTEM
NTS



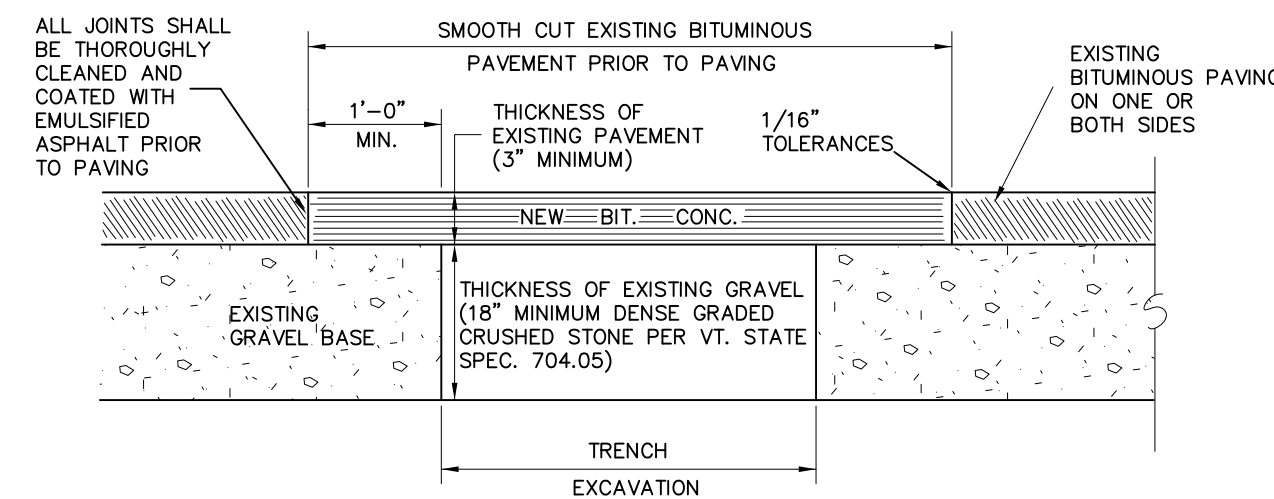
PAVED ROAD CROSS-SECTION
STA. 10+00 TO 12+75
NTS



GRAVEL ROAD CROSS-SECTION
STA. 12+75 TO 13+94
NTS



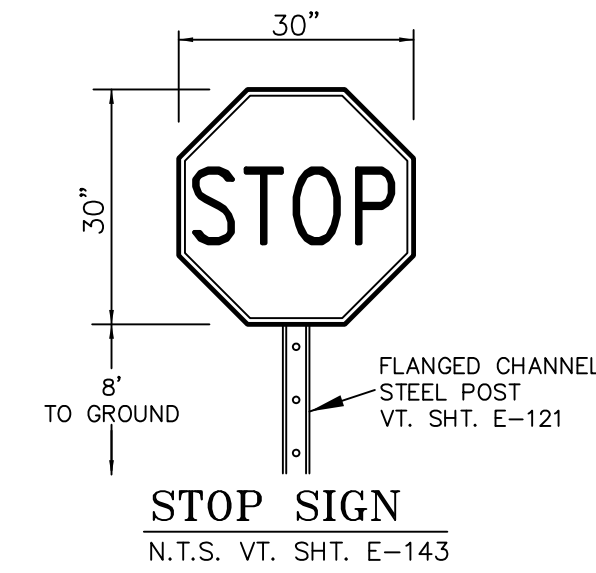
INDIVIDUAL DRIVEWAY
NTS



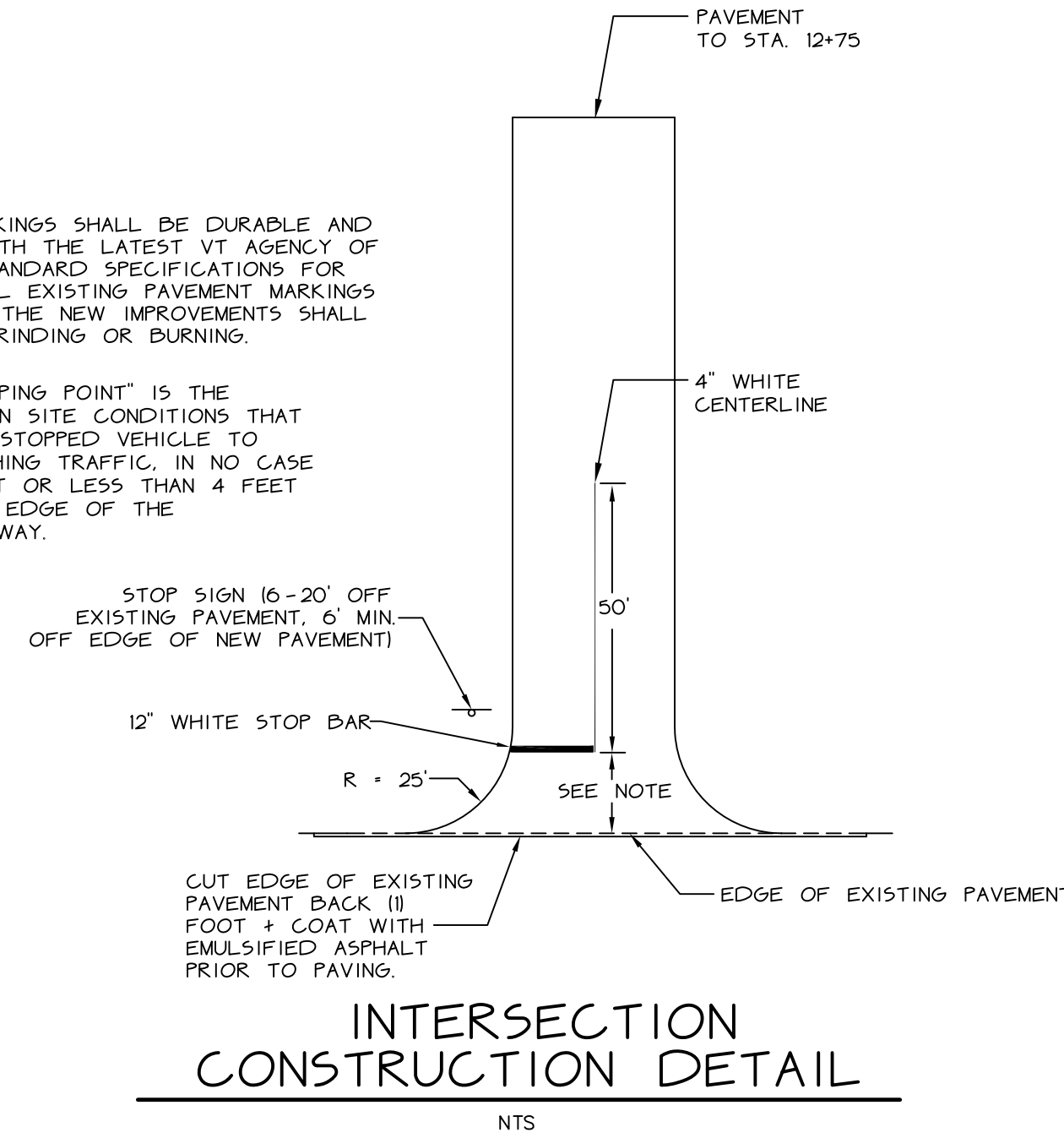
- SET UP AND MAINTAIN SIGNS AND OTHER SAFETY CONTROL DEVICES.
- RESHAPE HOLE AND PATCH AREA BY CUTTING WITH A CONCRETE SAW INTO SQUARE OR RECTANGULAR SHAPE AND CUT SIDE FACES VERTICALLY. RESHAPE DOWNWARD TO SOLID MATERIAL AND AROUND HOLE TO SOUND PAVEMENT.
- BACKFILL TRENCH IN 6" LIFTS AND COMPACT EACH LIFT TO 95% OF MAXIMUM DENSITY OF OPTIMUM MOISTURE CONTENT AS DETERMINED BY ASTM D698 STANDARD PROCTOR.
- REMOVE ALL LOOSE MATERIAL AND THOROUGHLY SWEEP THE HOLE AREA CLEAN OF MUD AND STANDING WATER.
- APPLY LIQUID ASPHALT TACK TO VERTICAL FACES IN A UNIFORM MANNER. DO NOT PUDDLE TACK COAT ON BOTTOM OF HOLE.
- FILL TOP OF HOLE WITH TYPE III BITUMINOUS CONCRETE AND COMPACT IN LIFTS NO MORE THAN 2" THICK. FINAL UNCOMPACTED LIFT SHOULD BE 1/2" TO 1" ABOVE ADJOINING PAVEMENT SO THAT AFTER COMPACTION THE PATCH IS LEVEL WITH THE ORIGINAL PAVEMENT. EACH LIFT SHOULD BE THOROUGHLY COMPACTED WITH A VIBRATORY PLATE COMPACTOR OR A PORTABLE ROLLER. EXPERIENCE HAS SHOWN THAT 15 TO 20 PASSES WITH A VIBRATORY ROLLER AND MIX TEMPERATURE ABOVE 250 F (121 C) ARE NECESSARY TO ENSURE GOOD COMPACTION. HAND TAMP SHOULD ONLY BE USED FOR SMALL AREAS (LESS THAN 1 SF).
- CLEAN UP AREA. DO NOT LEAVE EXCESS FILL OR EXCAVATED MATERIAL ON THE PAVEMENT. REMOVE SAFETY SIGNS.

REPLACEMENT OF EXISTING BITUMINOUS PAVEMENT
NTS

THE CONTRACTOR SHALL NOTIFY "DIGSAFE" AT 1-888-DIG-SAFE PRIOR TO ANY EXCAVATION.



STOP SIGN
N.T.S. VT. SHT. E-143
THE CONTRACTOR SHALL INSTALL STOP SIGNS AT THE INTERSECTION OF THE PROJECT AND JERICHO ROAD.



INTERSECTION CONSTRUCTION DETAIL
NTS

GENERAL CONSTRUCTION SPECIFICATIONS

- UTILITY INFORMATION SHOWN HEREON WAS OBTAINED FROM BEST AVAILABLE SOURCE AND MAY OR MAY NOT BE EITHER ACCURATE OR COMPLETE. CONTRACTOR SHALL VERIFY EXACT LOCATION OF EXISTING UTILITIES AND SHALL BE RESPONSIBLE FOR ANY DAMAGE TO ANY UTILITY, PUBLIC OR PRIVATE, SHOWN OR NOT SHOWN HEREON. CONTRACTOR SHALL VERIFY NEW TAP LOCATIONS AND SHALL CONNECT ALL UTILITIES TO NEAREST SOURCE THROUGH COORDINATION WITH UTILITY OWNER.
- THE CONTRACTOR SHALL BE RESPONSIBLE FOR DEMOLITION AND REMOVAL OF ALL EXISTING VEGETATION, PAVEMENT, AND STRUCTURES NECESSARY TO COMPLETE THE WORK UNLESS NOTED ON THESE PLANS. CONTRACTOR SHALL REMOVE ALL TRASH FROM SITE UPON COMPLETION OF CONSTRUCTION. ANY SURFACES, LINES OR STRUCTURES WHICH HAVE BEEN DAMAGED BY THE CONTRACTOR'S OPERATIONS SHALL BE RESTORED TO A CONDITION AT LEAST EQUAL TO THAT IN WHICH THEY WERE FOUND IMMEDIATELY PRIOR TO BEGINNING OF CONSTRUCTION.
- SEE OTHER DETAIL SHEETS OF THESE PLANS FOR ADDITIONAL DETAILS, REQUIREMENTS AND SPECIFICATIONS.
- ALL WORK SHALL BE IN ACCORDANCE WITH THE LATEST VERMONT AGENCY OF TRANSPORTATION STANDARD SPECIFICATIONS FOR CONSTRUCTION, THE TOWN PUBLIC WORKS SPECIFICATIONS, AND THESE PLANS.
- NEW PAVEMENT MARKINGS SHALL BE IN ACCORDANCE WITH NOTE #4 ABOVE. ALL EXISTING PAVEMENT MARKINGS CONFLICTING WITH THE NEW IMPROVEMENTS SHALL BE REMOVED BY GRINDING OR BURNING.
- A MINIMUM OF ONE-WAY TRAFFIC SHALL BE MAINTAINED AT ALL TIMES. CONTINUOUS TWO-WAY TRAFFIC WILL BE REQUIRED AT NIGHT, PEAK-HOURS, AND WHENEVER POSSIBLE DURING ACTUAL CONSTRUCTION ACTIVITIES. IF DEEMED NECESSARY BY THE OWNER, MUNICIPALITY OR ENGINEER, A UNIFORMED TRAFFIC CONTROL OFFICER SHALL DIRECT TRAFFIC DURING PEAK HOURS. TEMPORARY CONSTRUCTION SIGNS AND TRAFFIC CONTROL SIGNS SHALL BE ERECTED BY THE CONTRACTOR IN ACCORDANCE WITH STATE AND TOWN STANDARDS.
- THE CONTRACTOR SHALL BE RESPONSIBLE AT HIS OWN EXPENSE FOR ENSURING THAT THE DUST CREATED AS A RESULT OF CONSTRUCTION DOES NOT CREATE A NUISANCE OR SAFETY HAZARD. WHERE AND WHEN DEEMED NECESSARY, THE CONTRACTOR WILL BE REQUIRED TO WET SECTIONS OF THE CONSTRUCTION AREA WITH WATER, APPLY CALCIUM CHLORIDE, OR SWEEP THE ROADWAY WITH A POWER BROOM FOR DUST CONTROL.
- THE CONTRACTOR SHALL NOTIFY THE ENGINEER 24 HOURS IN ADVANCE OF STARTING ANY WORK, CUTTING PAVEMENT, BEGINNING THE INSTALLATION OF ANY UTILITIES, BRINGING IN ANY NEW GRAVEL OR STONE FOR THE NEW BASE, PAVING, ALL TESTING, AND FINAL INSPECTION, IN ORDER TO ASSURE COMPLIANCE WITH THE PLANS.
- PRIOR TO BEGINNING CONSTRUCTION, ALL MATERIALS SHALL BE APPROVED BY THE ENGINEER.
- ALL FILL SHALL BE PLACED IN 6 INCH LIFTS AND THOROUGHLY COMPACTED TO 95% OF MAXIMUM DENSITY OF OPTIMUM MOISTURE CONTENT AS DETERMINED BY ASTM D698 STANDARD PROCTOR, AND SHALL BE TESTED AT 500' INTERVALS, UNLESS OTHERWISE SPECIFIED.
- BACKFILL UNDER PIPES IN FILL AREAS SHALL BE COMPACTED TO 95% OF MAXIMUM DENSITY OF OPTIMUM MOISTURE CONTENT. A MINIMUM OF TWO (2) COMPACTION TESTS SHALL BE TAKEN AT THE CONTRACTOR'S EXPENSE, UNDER EACH RUN OF PIPE PRIOR TO INSTALLING THE PIPES. THE PIPES SHALL ONLY BE INSTALLED OVER ADEQUATELY COMPACTED SOILS.
- THE HAYBALE DAMS, SILT FENCES, AND DITCHES SHALL BE MAINTAINED AND REPAIRED BY THE CONTRACTOR AFTER EVERY RAINFALL OR AS ORDERED BY THE ENGINEER UNTIL ALL DISTURBED AREAS HAVE BEEN PAVED OR GRASSED AND APPROVED BY THE ENGINEER. THE MAINTENANCE OF THE EROSION CONTROL DEVICES WILL INCLUDE THE REMOVAL OF ANY ACCUMULATED SEDIMENTATION.
- THIS DESIGN MUST BE INSPECTED BY O'LEARY-BURKE CIVIL ASSOCIATES, P.L.C. ESSEX JUNCTION, VERMONT, TO ENSURE COMPLIANCE WITH THESE PLANS, O'LEARY-BURKE WAIVES ANY AND ALL RESPONSIBILITY AND LIABILITY FOR PROBLEMS THAT ARISE FROM FAILING TO FOLLOW THESE PLANS, SPECIFICATIONS AND THE DESIGN INTENT THAT THE PLANS CONVEY, AND FROM FAILURE TO HAVE BEEN NOTIFIED BY THE CONTRACTOR TO INSPECT THE WORKS AND TESTS IN PROGRESS.
- ALL SLOPES, DITCHES AND DISTURBED AREAS SHALL BE GRADED SMOOTH, CLEAN AND FREE OF POCKETS WITH SUFFICIENT SLOPE TO ENSURE DRAINAGE.

GRADATION REQUIREMENTS

MATERIAL	SEIVE SIZE	PERCENT (%) PASSING
GRAVEL FOR SUBBASE - VT SPEC 704.04	#4	20-60 %
	#100	0-12 %
	#200	0-6 %
DENSE GRADED CRUSHED STONE VT SPEC 704.06	3 1/2"	100 %
	3"	90-100%
	2"	75-100%
	1"	50-80%
	1/2"	30-60%
	#4	15-40%
	#200	0-6 %

GRADATION REQUIREMENTS

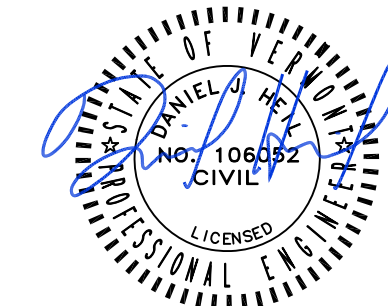
3/22/19 REVISED INDIVIDUAL DRILLED WELL DESIGN DATA TO REFLECT 3 SINGLE FAMILY HOMES
 DATE 3/20/19 REVISED PAVED ROAD AND GRAVEL ROAD CROSS SECTION TO 22' WIDTH AND 2' SHOULDER
 SURVEY OBCA
 DESIGN OBCA
 DRAWN DJH
 CHECKED DWB
 SCALE N.T.S.

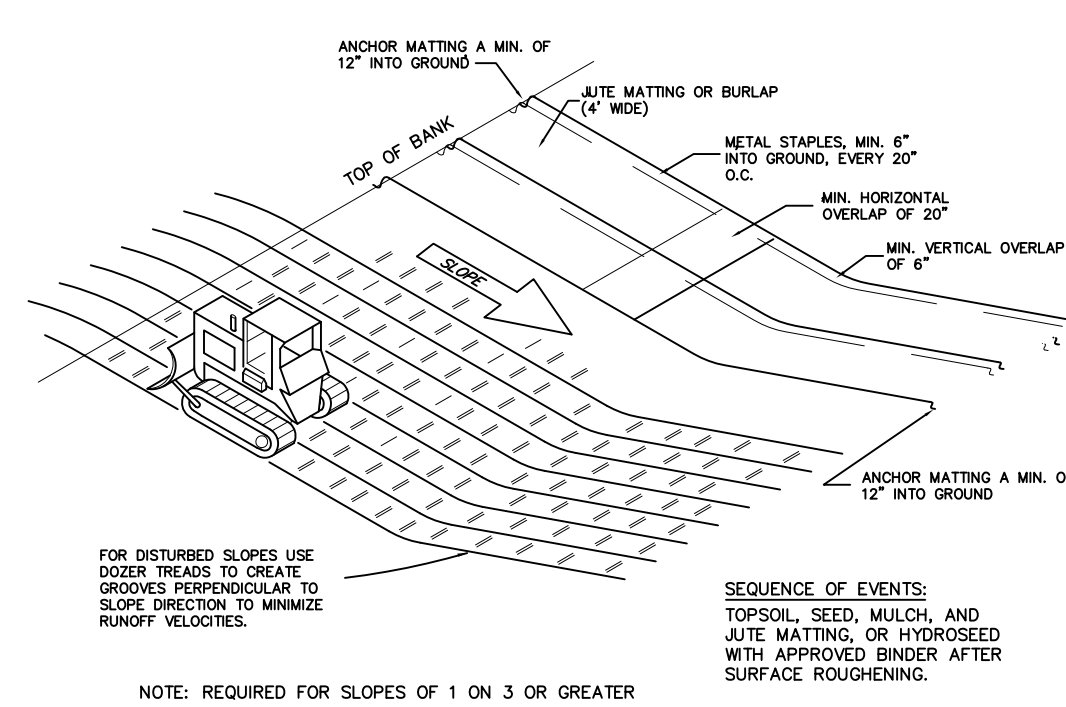
RECORD DRAWING
 PRELIMINARY
 FINAL
 SKETCH/CONCEPT

O'LEARY-BURKE CIVIL ASSOCIATES, P.L.C.
 13 CORPORATE DRIVE
 ESSEX JCT., VT
 PHONE: 878-9590
 FAX: 878-9589

NORTON MEADOWS
 RACEWAY RD. JERICHO, VT
 Road & Water
 Details & Specifications

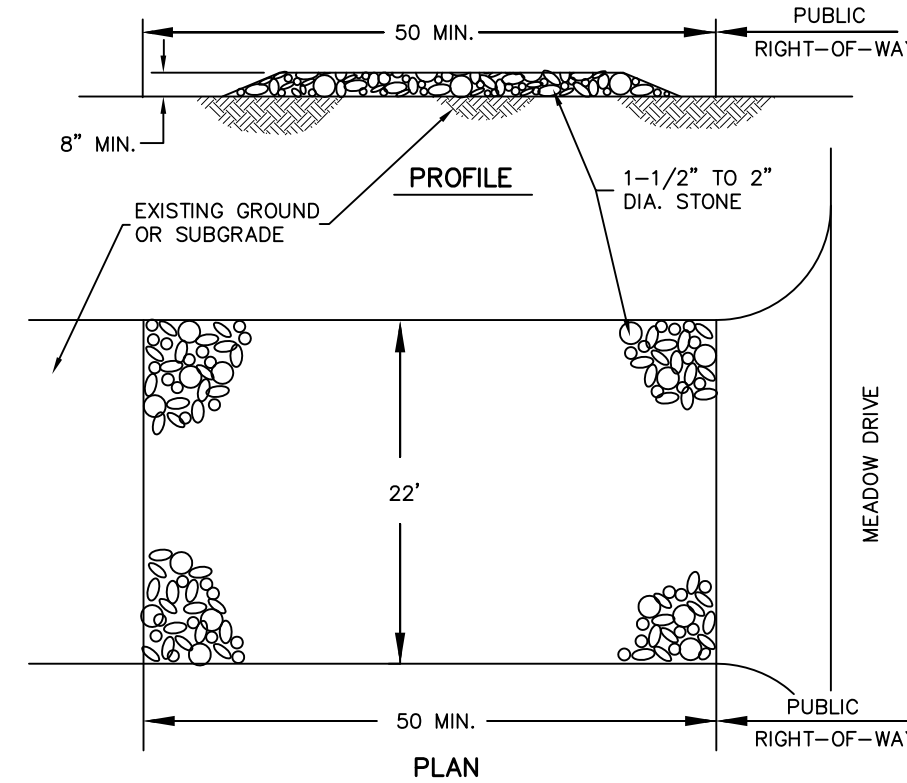
D.J.H.
 DATE 2/15/19
 2013-112
 FILE 2013-112-S10
 PLAN SHEET # 5





SLOPE RESTORATION

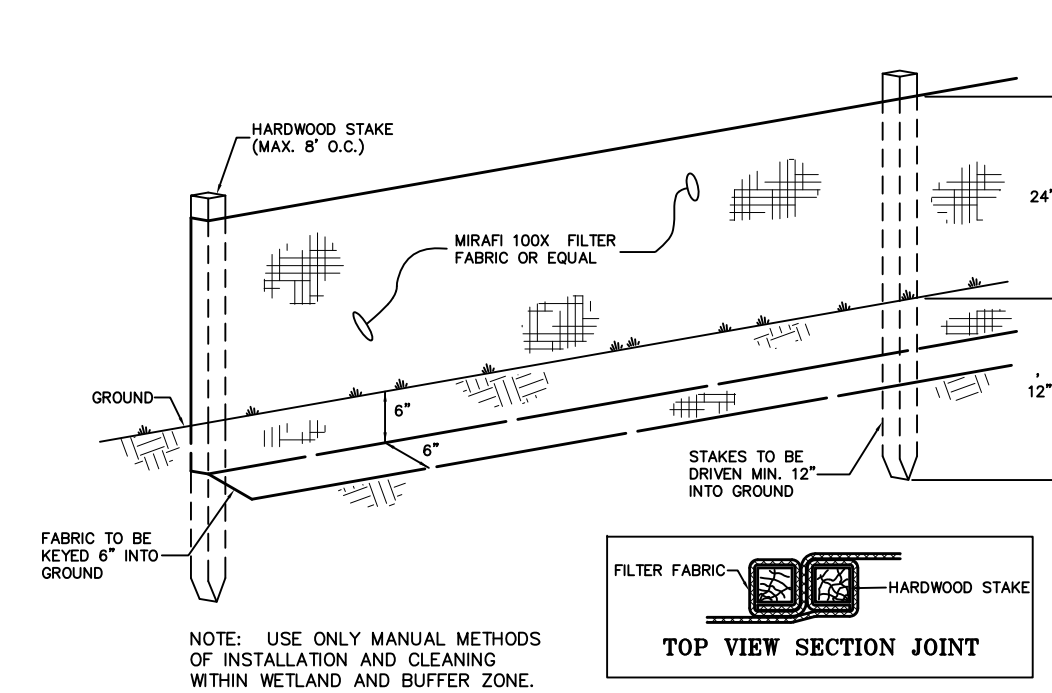
NTS



- NOTES:**
1. THE ENTRANCE SHALL BE MAINTAINED IN A CONDITION WHICH WILL PREVENT TRACKING OF SEDIMENT ONTO PUBLIC RIGHTS-OF-WAY. THIS MAY REQUIRE PERIODIC TOP DRESSING WITH ADDITIONAL STONE AS CONDITIONS DEMAND AND REPAIR AND/OR CLEANOUT OF ANY MEASURES USED TO TRAP SEDIMENT. ALL SEDIMENT TRACKED, SPILLED, OR WASHED ONTO PUBLIC RIGHTS-OF-WAY SHALL BE REMOVED IMMEDIATELY BY CONTRACTOR.
 2. THE USE OF CALCIUM CHLORIDE OR WATER MAY BE NECESSARY TO CONTROL DUST DURING THE SUMMER.
 3. PROVIDE APPROPRIATE TRANSITION BETWEEN STABILIZED CONSTRUCTION ENTRANCE AND PUBLIC RIGHT-OF-WAY.

STABILIZED CONSTRUCTION ENTRANCE

NTS



TEMPORARY SILT FENCE

NTS

EROSION CONTROL SPECIFICATIONS

1. SEE OTHER DRAWINGS OF THESE PLANS FOR ADDITIONAL STORMWATER AND EROSION CONTROL SPECIFICATIONS AND DETAILS.
2. THE ROADWAY AND YARD FINISH GRADE SLOPES SHALL NOT BE STEEPER THAN 3 ON 1. THE FINISHED GRADE SLOPES SHALL BE IMMEDIATELY GRADED AND MULCHED.
3. ALL DISTURBED AREAS SHALL BE STABILIZED WITH SEEDING AND MULCHING PRIOR TO NOVEMBER 1. ANY DISTURBED AREAS OUTSIDE OF THE ROADWAY SHALL BE IMMEDIATELY SEEDED AND MULCHED WITHIN 15 DAYS.
4. THE EROSION CONTROL METHODS USED DURING CONSTRUCTION OF THE DEVELOPMENT SHALL PROCEED IN THE FOLLOWING SEQUENCE:
 - A) THE CONTRACTOR SHALL INSTALL AND MAINTAIN HAY BALE DAMS, SILT FENCES, AND OTHER EROSION CONTROL MEASURES, IF REQUIRED AS ORDERED BY THE ENGINEER. THE EROSION CONTROL MEASURES SHALL BE MAINTAINED AND REPAIRED AFTER EVERY RAINFALL UNTIL THE NEW IMPROVEMENTS ARE PAVED AND ALL DISTURBED AREAS HAVE BEEN GRASSSED. THE REPAIR OF THE EROSION CONTROL MEASURES WILL INCLUDE REMOVING ANY SEDIMENTATION. THE SEDIMENT MAY BE PLACED AS FILL IN THE LOW AREAS, IF APPROVED BY THE ENGINEER.
 - B) THE TOPSOIL SHALL BE REMOVED FROM THE AREAS TO BE GRADED AND STOCKPILED. A SILT FENCE SHALL BE PLACED CONTINUOUSLY AROUND THE BOTTOM OF THE PILE.
 - C) IN AREAS NEAR THE NEW CONSTRUCTION, THE CONTRACTOR SHALL ENCLOSE THE TRUNKS OF TREES TO BE SAVED WITH WOODEN SNOW FENCING ALONG THE DRIPLINE TO PROTECT THE FROM HULLARY.
 - D) THE SITE GRADINGS WILL THEN BE DONE, AND THE PIPELINES WILL BE INSTALLED IMMEDIATELY FOLLOWING GRADING. THE CONTRACTOR WILL INSTALL AND MAINTAIN HAY BALE INLET PROTECTION AROUND THE CATCH BASINS UNTIL THE ROADWAY HAS BEEN PAVED AND GRASS HAS BEEN ESTABLISHED ON THE SLOPES.
 - E) THE CONTRACTOR WILL TOPSOIL, SEED, AND MULCH THE DISTURBED AREAS AS SOON AS POSSIBLE FOLLOWING COMPLETION OF ADJACENT CONSTRUCTION.
 - F) OPEN CUT AREAS SHALL BE MULCHED OUTSIDE OF ACTUAL WORK AREAS, AND HAY DALES SHALL BE EMPLOYED TO CONFINE SHEET WASH AND RUNOFF TO THE IMMEDIATE OPEN AREA AS ORDERED BY THE ENGINEER.
5. DURING CONSTRUCTION, THE PROJECT SHALL BE IN COMPLIANCE WITH THE LOW RISK SITE HANDBOOK FOR EROSION PREVENTION AND SEDIMENT CONTROL.

LANDSCAPING SPECIFICATIONS

ALL DISTURBED AREAS SHALL BE STABILIZED WITH SEEDING AND MULCHING PRIOR TO NOVEMBER 1 OF EACH YEAR. ANY DISTURBED AREAS SHALL BE IMMEDIATELY SEEDED AND MULCHED WITHIN 10 DAYS. ANY WORK PERFORMED AFTER NOVEMBER 1 OF EACH YEAR SHALL BE STABILIZED WITH MULCH OR NETTING SUFFICIENT TO PREVENT EROSION AND SHALL BE IMMEDIATELY SEEDED AND REMULCHED AS SOON AS WEATHER PERMITS IN THE SPRING. ALL DISTURBED AREAS SHALL RECEIVE A MINIMUM OF 4\"/>

1. SEED MIXTURE IN ALL AREAS SHALL BE URBAN MIX CONFORMING TO THE TABLE SHOWN ON THE PLANS. FOR SEEDING BETWEEN SEPTEMBER 1 AND NOVEMBER 1, WINTER RYE SHALL BE USED AT AN APPLICATION RATE OF 100 POUNDS PER ACRE.
2. FERTILIZER SHALL BE STANDARD COMMERCIAL GRADE CONFORMING TO THE STATE FERTILIZER LAW AND TO THE STANDARDS OF THE ASSOCIATION OF OFFICIAL AGRICULTURAL CHEMISTS. DRY FERTILIZER, IF USED, SHALL BE APPLIED AT THE RATE OF 500 POUNDS PER ACRE. LIQUID FERTILIZER, IF USED, SHALL BE APPLIED IN A 1:2:1 RATIO WITH THE MINIMUM RATE TO INCLUDE 100 POUNDS OF NITROGEN, 200 POUNDS OF PHOSPHATE, AND 100 POUNDS OF POTASH PER ACRE.
3. LIMESTONE SHALL CONFORM TO ALL STATE AND FEDERAL REGULATIONS AND TO THE STANDARDS OF THE ASSOCIATION OF OFFICIAL AGRICULTURAL CHEMISTS. THE LIMESTONE SHALL BE APPLIED AT A RATE OF TWO TONS PER ACRE OR AS DIRECTED.
4. WITHIN 24 HOURS OF APPLICATION OF FERTILIZER, LIME, AND SEED, THE SURFACE SHALL BE MULCHED WITH A HAY MULCH. MULCH SHALL BE SPREAD UNIFORMLY OVER THE AREA AT A RATE OF TWO TONS PER ACRE OR AS ORDERED BY THE ENGINEER.

URBAN MIX GRASS SEED		
BY WEIGHT	LB'S LIVE SEED PER ACRE	TYPE OF SEED
37.5	45	CREeping RED FESCUE
31.25	37.5	KENTUCKY BLUEGRASS
31.25	37.5	WINTER HARDY, PERENNIAL RYE
100	120	LB LIVE SEED PER ACRE

STUMP DISPOSAL SPECIFICATIONS

ALL SUITABLE TREES THAT MUST BE CUT WILL BE USED AS FIREWOOD. THE STUMPS, BRUSH, + EXCESS UNSUITABLE EARTH WILL BE DISPOSED OF AT THE LOCATION DESIGNATED BY THE ENGINEER. CONTINGENT UPON APPROVAL FROM THE TOWN BUILDING INSPECTOR, SAID AREAS SHALL BE A MINIMUM OF TWO FEET ABOVE THE SEASONAL HIGH GROUNDWATER OR THE STUMPS SHALL BE HAULED OFF-SITE TO A STATE-APPROVED LANDFILL. IF ON-SITE STUMP DISPOSAL IS IMPLEMENTED, THE FOLLOWING GUIDELINES SHALL BE MET:

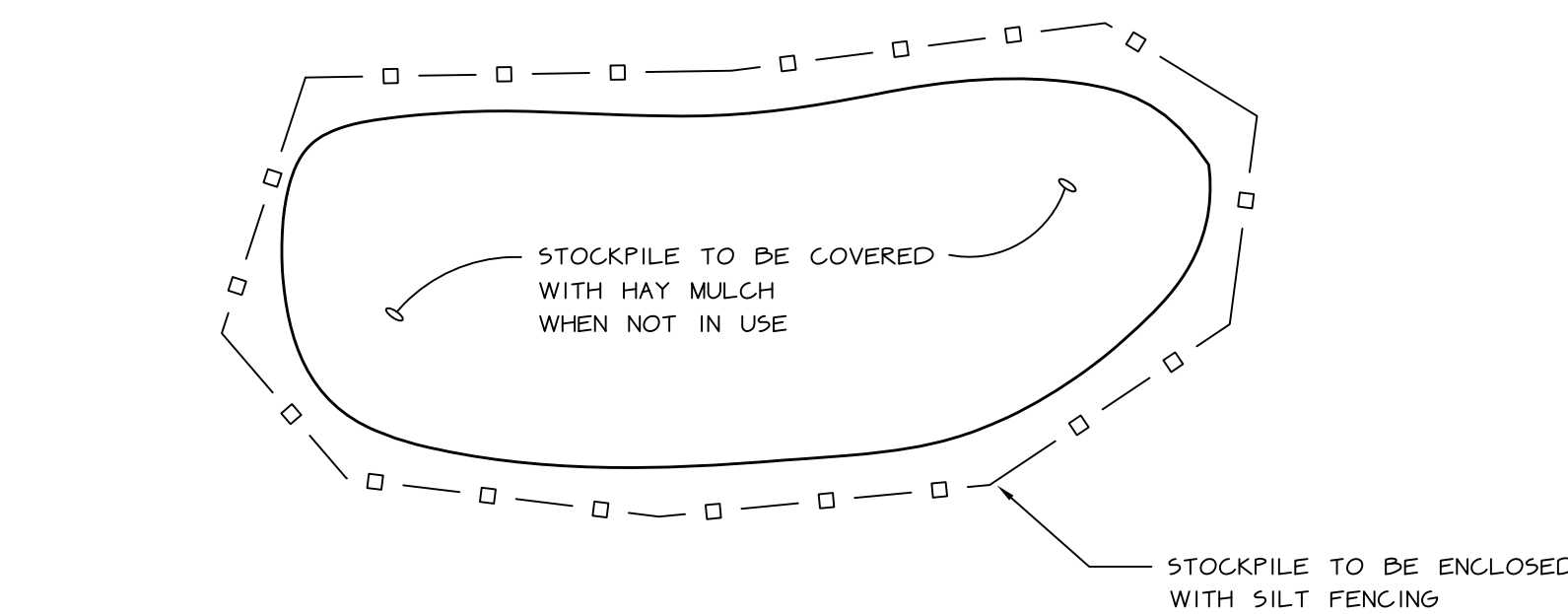
1. WHENEVER POSSIBLE, STUMP DISPOSAL SITES SHOULD BE LOCATED ON NEARLY LEVEL TO MODERATELY SLOPING LANDS (SLOPES LESS THAN 12%).
2. DISPOSAL SITES WILL NOT BE LOCATED IN OR WITHIN 100 FEET OF FLOWING WATERCOURSES OR STREAMS OR IN ACTIVELY ERODING GULLIES.
3. DISPOSAL SITES SHALL NOT BE LOCATED IN FLOODED OR FLOOD-PRONE LANDS, MARSHES, OR OTHER AQUIFER RECHARGE AREAS.
4. STUMPS WILL BE PLACED ON THE SITE IN A SINGLE LIFT PRIOR TO BACKFILLING. WHEN ADDITIONAL STUMPS ARE TO BE DEPOSITED ON THE SAME SITE, EACH SUCCESSIVE LAYER OR LIFT OF STUMPS WILL BE BACKFILLED.
5. STUMPS DEPOSITED IN DRAINAGEWAYS OR DEPRESSIONS SHALL BE BACKFILLED AND BERMED SO AS TO DIVERT OVERLAND FLOWS FROM THE DISPOSAL AREA.
6. A MINIMUM OF TWO FEET (2') OF OVERBURDEN WILL BE PLACED OVER ALL DISPOSAL SITES.
7. THE TWO FEET OF OVERBURDEN WILL BE COVERED WITH A MINIMUM OF FOUR INCHES (4") OF TOPSOIL, GRADED, SEEDED, AND MULCHED IN ACCORDANCE WITH THE SPECIFICATIONS.

STORM SYSTEM MAINTENANCE

MAINTENANCE PLAN

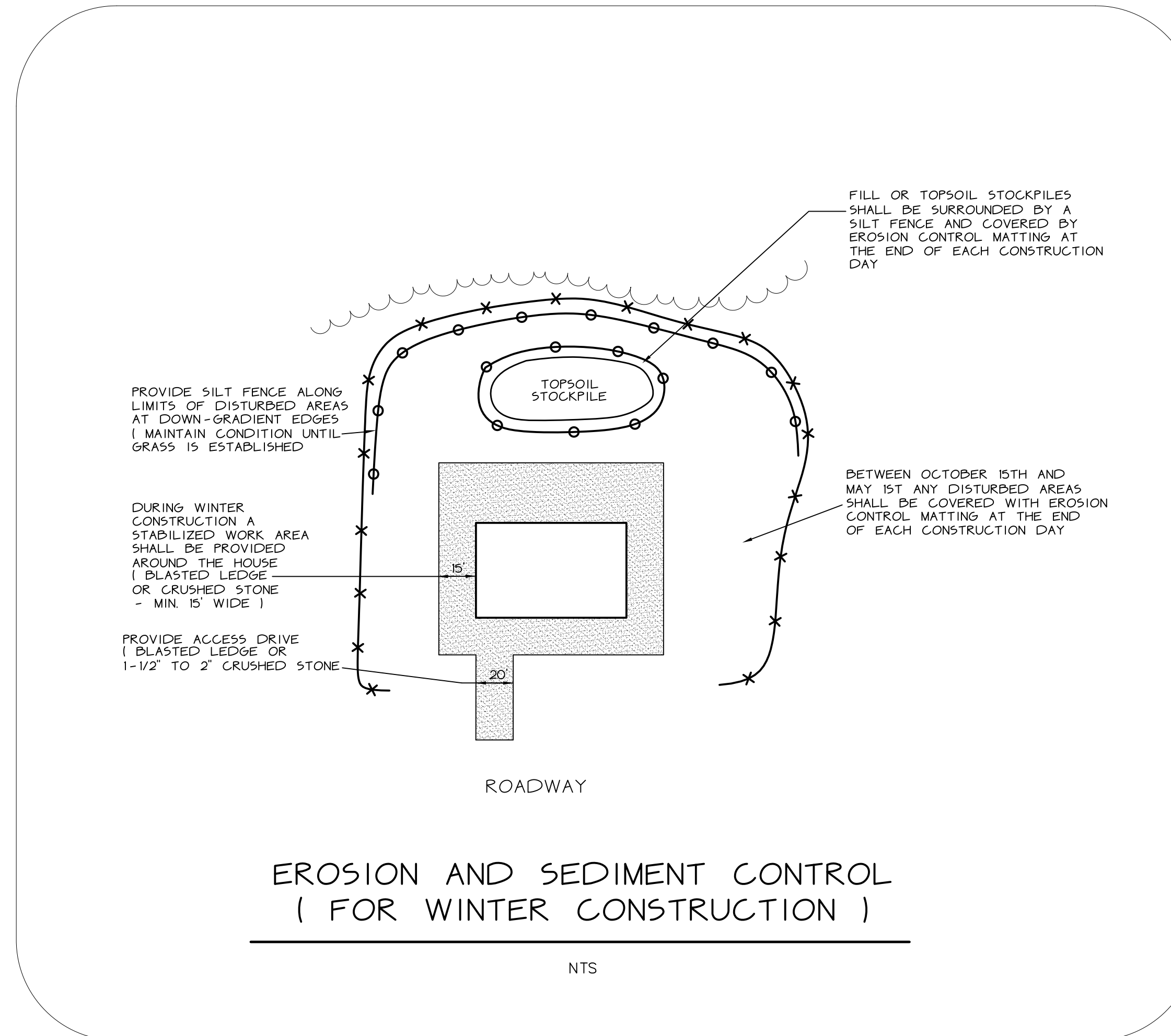
SYSTEM MAINTENANCE IS IMPORTANT FOR TREATMENT AND CONTROL OF STORM RUNOFF FROM THE IMPERVIOUS SURFACES (ROAD, PARKING, AND WALKWAY). THE FOLLOWING ELEMENTS FORM THE MINIMUM REQUIREMENTS:

1. THE OWNER (OR REPRESENTATIVE) SHALL PERFORM INSPECTIONS BI-ANNUALLY AND FOLLOWING SIGNIFICANT (LARGE) STORM EVENTS. THE FOLLOWING ITEMS SHALL BE REVIEWED: CONDITION OF THE VEGETATION, CONDITION OF THE DITCH SURFACES, DEPTH OF ACCUMULATED SEDIMENT (IF ANY), THE PRESENCE OF EROSION (IF ANY), CONDITION OF THE STORM PIPES, AND THE CONDITION OF THE PIPE INLETS AND OUTLETS. ANY OBSERVABLE DEGRADATION OF THE STORM SYSTEM SHALL BE NOTED.
2. THE OWNER (OR REPRESENTATIVE) SHALL COMPLETE REPAIR OF ANY ITEMS, AS REQUIRED TO MAINTAIN OPTIMAL SYSTEM OPERATION. AT A MINIMUM, THE FOLLOWING ITEMS SHALL BE INCLUDED:
 - A. ANY EROSION GULLIES 6 INCHES OR DEEPER SHALL BE FILLED AND VEGETATION ESTABLISHED IN THE DISTURBED AREA.
 - B. SEDIMENT ACCUMULATED TO A DEPTH OF MORE THAN 6 INCHES IN THE ROAD DITCHES SHALL BE REMOVED AND DISPOSED OF IN AN UPLAND AREA THAT IS NOT WITHIN 100 FEET OF WATERS OF THE STATE. VEGETATION SHALL BE ESTABLISHED IN ALL DISTURBED AREAS.
 - C. VEGETATION SHALL BE ESTABLISHED AS NEEDED, IN AREAS OF BARE SOIL. THIS IS PARTICULARLY IMPORTANT IN FLOW AREAS WHERE VEGETATION PROVIDES SEDIMENT REMOVAL.
 - D. SILT FENCES SHALL BE USED IF NEEDED TO PREVENT EROSION AND AID IN THE ESTABLISHMENT OF VEGETATION. THESE TEMPORARY MEASURES SHALL BE REMOVED AFTER THE SITE IS STABILIZED AND THE RISK OF EROSION IS REDUCED.
 - E. THE GRASSSED AREAS SHALL BE MOWED AS NEEDED TO PREVENT THE ESTABLISHMENT OF WOODY VEGETATION.



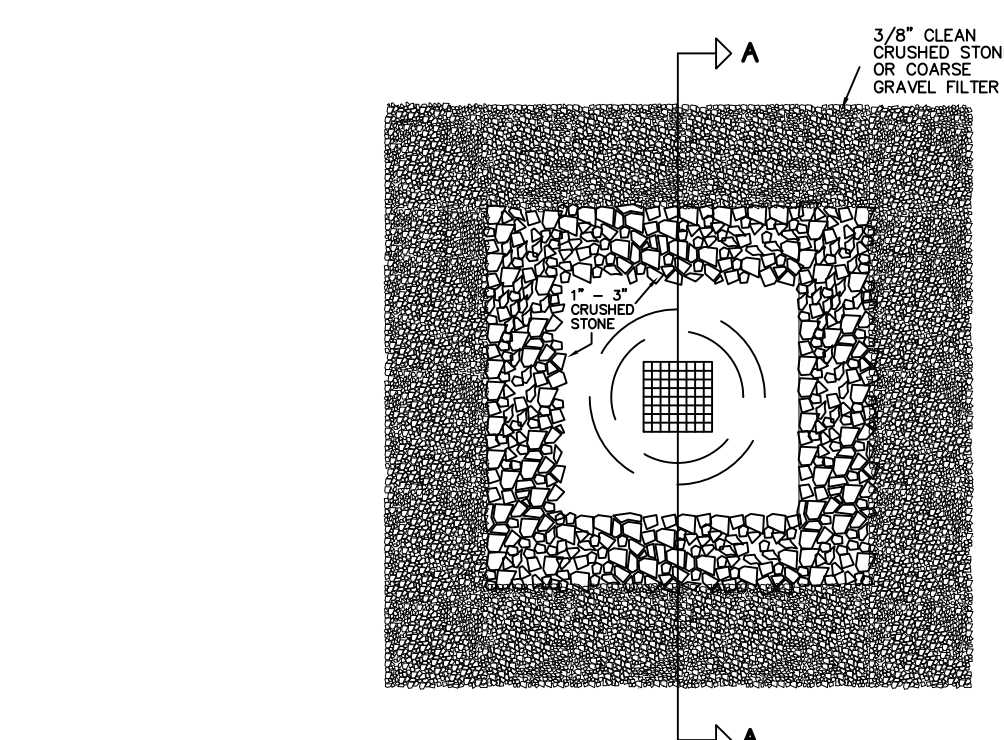
TEMPORARY FILL MATERIAL STOCKPILE

NTS



EROSION AND SEDIMENT CONTROL (FOR WINTER CONSTRUCTION)

NTS



SECTION A - A

INLET PROTECTION DETAIL

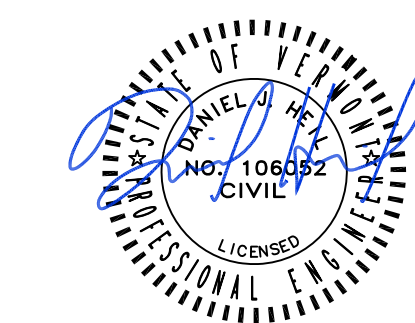
NTS

MULCHING SPECIFICATIONS

DISTURBED AREAS ARE TO BE MULCHED WITHIN A WEEK OF DISTURBANCE. HAY MULCH SHALL BE SPREAD UNIFORMLY OVER THE AREA AT A RATE OF TWO TONS PER ACRE OR AT A RATE THAT IS SUFFICIENT TO PROVIDE ADEQUATE COVERAGE.

WHERE FINISH GRADE AND TOPSOILED, SEEDING AND MULCHING IS TO BE APPLIED WITHIN 48 HOURS.

THE CONTRACTOR SHALL NOTIFY "DIGSAFE" AT 1-888-DIG-SAFE PRIOR TO ANY EXCAVATION.

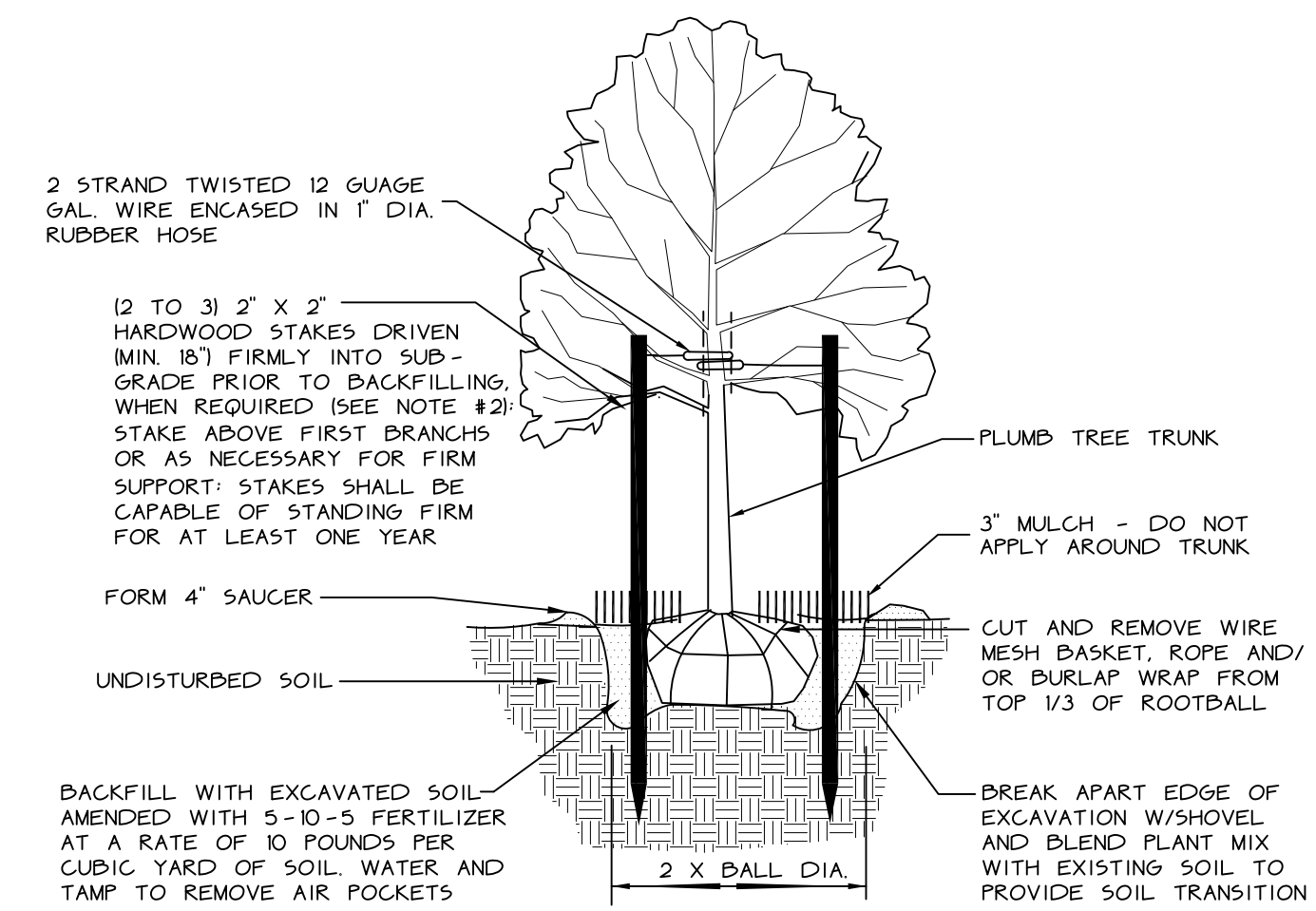


DATE	BY
SURVEY	DATE
DESIGN	DATE
DRAWN	DATE
CHECKED	DATE
SCALE	DATE
N.T.S.	DATE

<input type="checkbox"/> RECORD DRAWING	<input type="checkbox"/> PRELIMINARY
<input checked="" type="checkbox"/> FINAL	<input type="checkbox"/> SKETCH/CONCEPT

O'LEARY-BURKE CIVIL ASSOCIATES, P.L.C.	
13 CORPORATE DRIVE	
ESSEX, VT 05730-9590	
PHONE: 878-9590	
FAX: 878-9589	

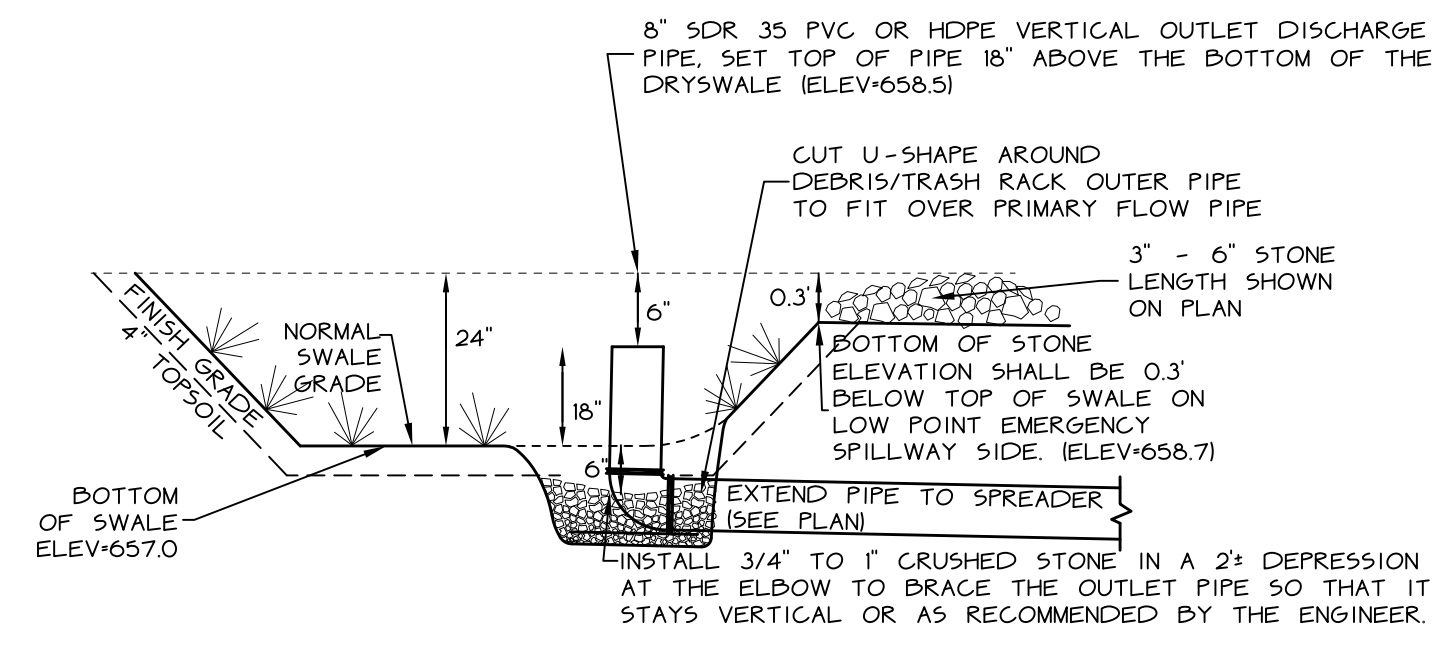
NORTON MEADOWS	
RACEWAY RD.	JERICO, VT
<i>Erosion Control</i>	
<i>Details & Specifications</i>	
2013-112	PLAN SHEET #
6	



- NOTE:
1. PLANT TREE SO THAT TOP OF ROOT BALL IS EVEN WITH THE FINISHED GRADE.
 2. STAKING AS REQUIRED ONLY IN SITUATIONS WHERE TREES WILL BE SUBJECTED TO WINDY CONDITIONS AS DETERMINED BY THE PROJECT LANDSCAPE ARCHITECT.
 3. TREES SHALL BE GUARANTEED FOR A PERIOD OF TWO YEARS AFTER PLANTING.
 4. EXAMINE ENTIRE TREE AND REMOVE ALL NURSERY TAGS, ROPE, STRING AND SURVEYOR TAPE PRIOR TO PLANTING TO PREVENT GIRDLING.

TREE PLANTING

NTS



OUTFLOW DEVICE FOR DRYSWALE

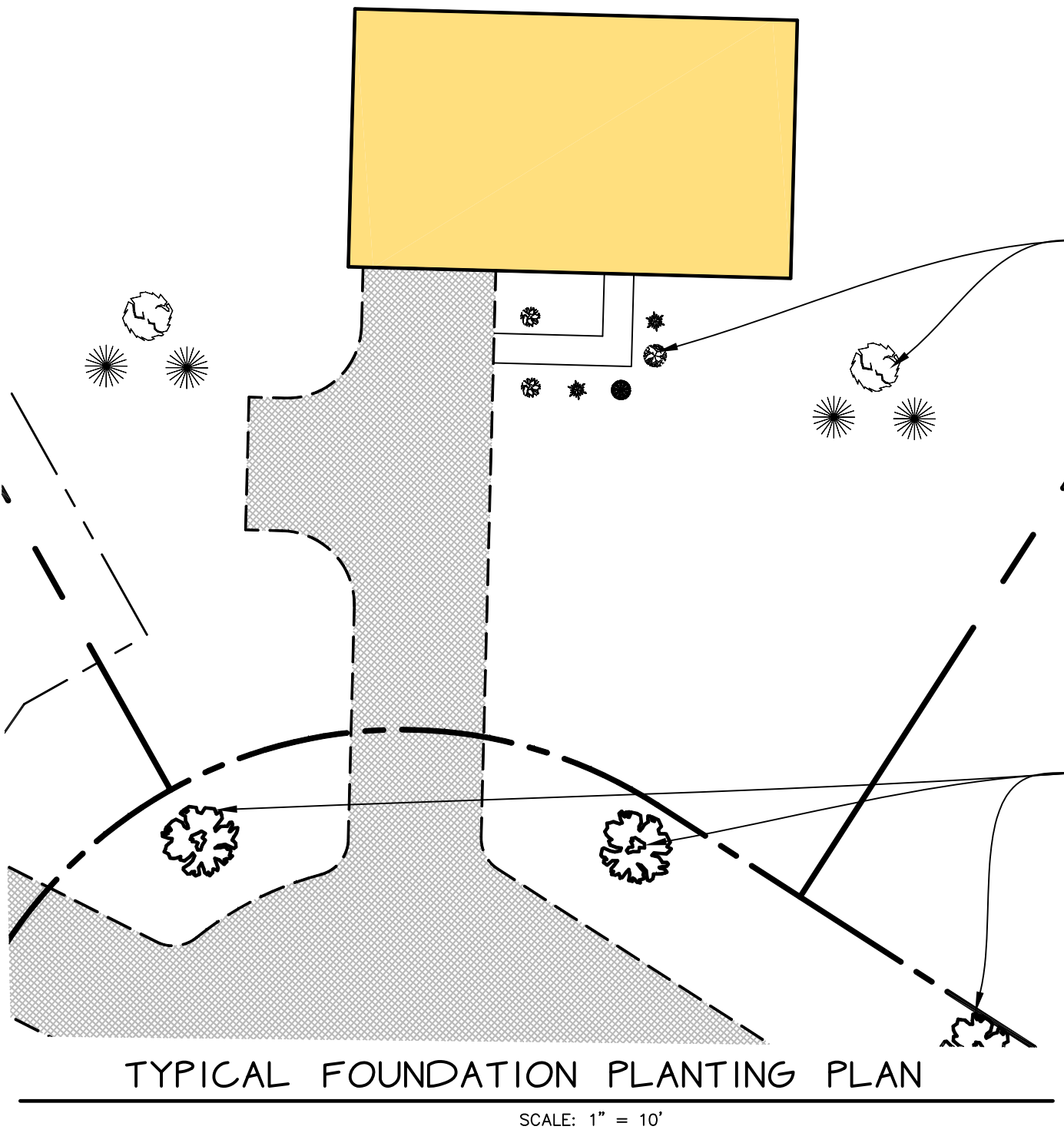
NTS



EXAMPLE OF A SWALE OUTFLOW DEVICE



EXAMPLE OF AN 8' BOTTOM 2' DEEP SWALE



LANDSCAPING SPECIFICATIONS

ALL DISTURBED AREAS SHALL BE STABILIZED WITH SEEDING AND MULCHING PRIOR TO NOVEMBER 1 OF EACH YEAR. ANY DISTURBED AREAS SHALL BE IMMEDIATELY SEEDED AND MULCHED WITHIN 15 DAYS. ANY WORK PERFORMED AFTER OCTOBER 1 OF EACH YEAR SHALL BE STABILIZED WITH MULCH OR NETTING SUFFICIENT TO PREVENT EROSION AND SHALL BE IMMEDIATELY SEEDED AND REMULCHED AS SOON AS WEATHER PERMITS IN THE SPRING. ALL DISTURBED AREAS SHALL RECEIVE A MINIMUM OF 4" OF TOPSOIL AND BE SEEDED, FERTILIZED, LIMED, AND MULCHED IN ACCORDANCE WITH THE FOLLOWING:

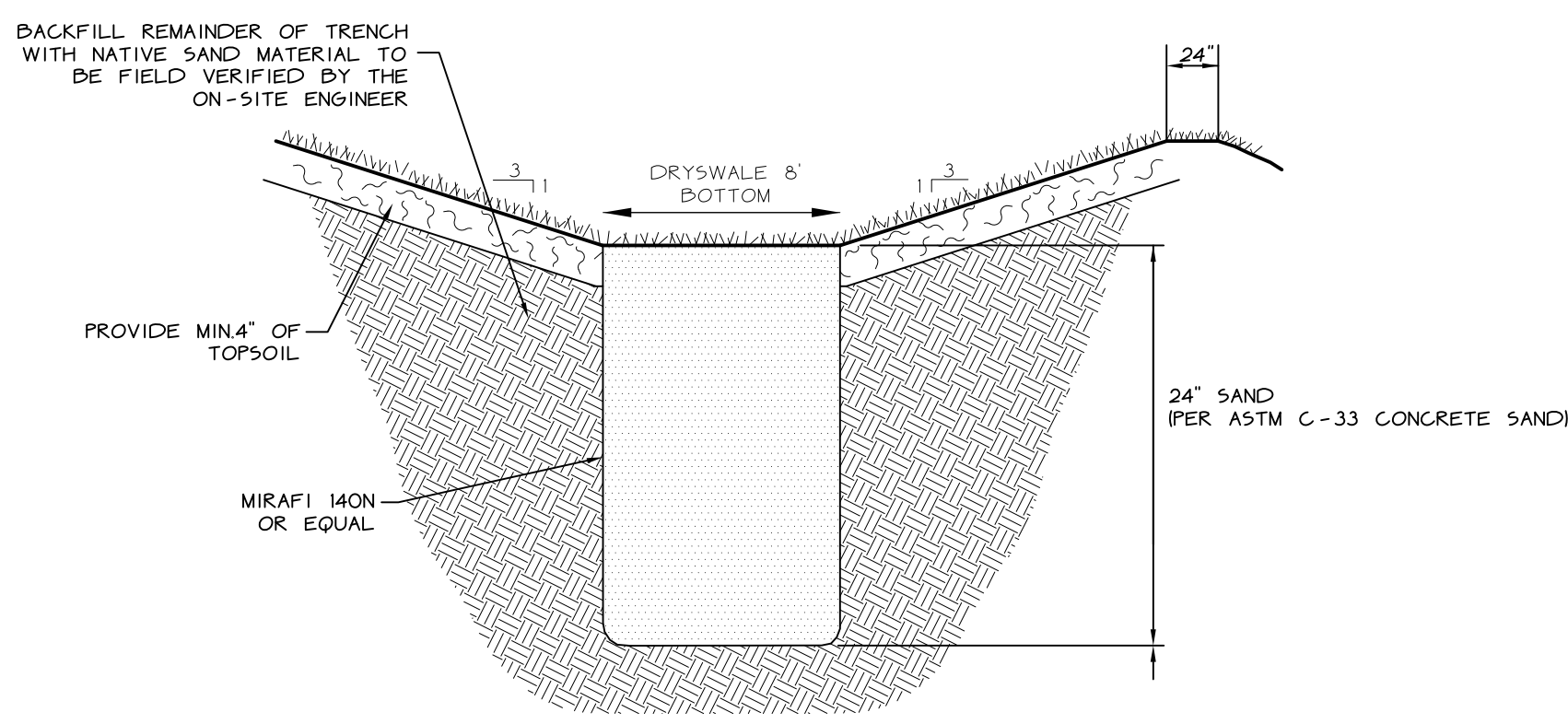
1. SEED MIXTURE IN ALL AREAS SHALL BE URBAN MIX CONFORMING TO THE TABLE SHOWN ON THE PLANS. FOR SEEDING BETWEEN SEPTEMBER 1 AND NOVEMBER 1, WINTER RYE SHALL BE USED AT AN APPLICATION RATE OF 100 POUNDS PER ACRE.
2. FERTILIZER SHALL BE STANDARD COMMERCIAL GRADE CONFORMING TO THE STATE FERTILIZER LAW AND TO THE STANDARDS OF THE ASSOCIATION OF OFFICIAL AGRICULTURAL CHEMISTS. DRY FERTILIZER, IF USED, SHALL BE APPLIED AT THE RATE OF 500 POUNDS PER ACRE. LIQUID FERTILIZER, IF USED, SHALL BE APPLIED IN A 1-2-1 RATIO WITH THE MINIMUM RATE TO INCLUDE 100 POUNDS OF NITROGEN, 200 POUNDS OF PHOSPHATE, AND 100 POUNDS OF POTASH PER ACRE.
3. LIMESTONE SHALL CONFORM TO ALL STATE AND FEDERAL REGULATIONS AND TO THE STANDARDS OF THE ASSOCIATION OF OFFICIAL AGRICULTURAL CHEMISTS. THE LIMESTONE SHALL BE APPLIED AT A RATE OF TWO TONS PER ACRE OR AS DIRECTED.
4. WITHIN 24 HOURS OF APPLICATION OF FERTILIZER, LIME, AND SEED, THE SURFACE SHALL BE MULCHED WITH A HAY MULCH. MULCH SHALL BE SPREAD UNIFORMLY OVER THE AREA AT A RATE OF TWO TONS PER ACRE OR AS ORDERED BY THE ENGINEER.

URBAN MIX GRASS SEED		
% BY WEIGHT	LBS. LIVE SEED PER ACRE	TYPE OF SEED
37.5	45	CREeping RED FESCUE
31.25	37.5	KENTUCKY BLUEGRASS
31.25	37.5	WINTER HARDY, PERENNIAL RYE
100	120 # LIVE SEED PER ACRE	

TYPICAL FOUNDATION PLANTING (SEE PROPOSED LANDSCAPING SCHEDULE FOR SIZE/TYPE)

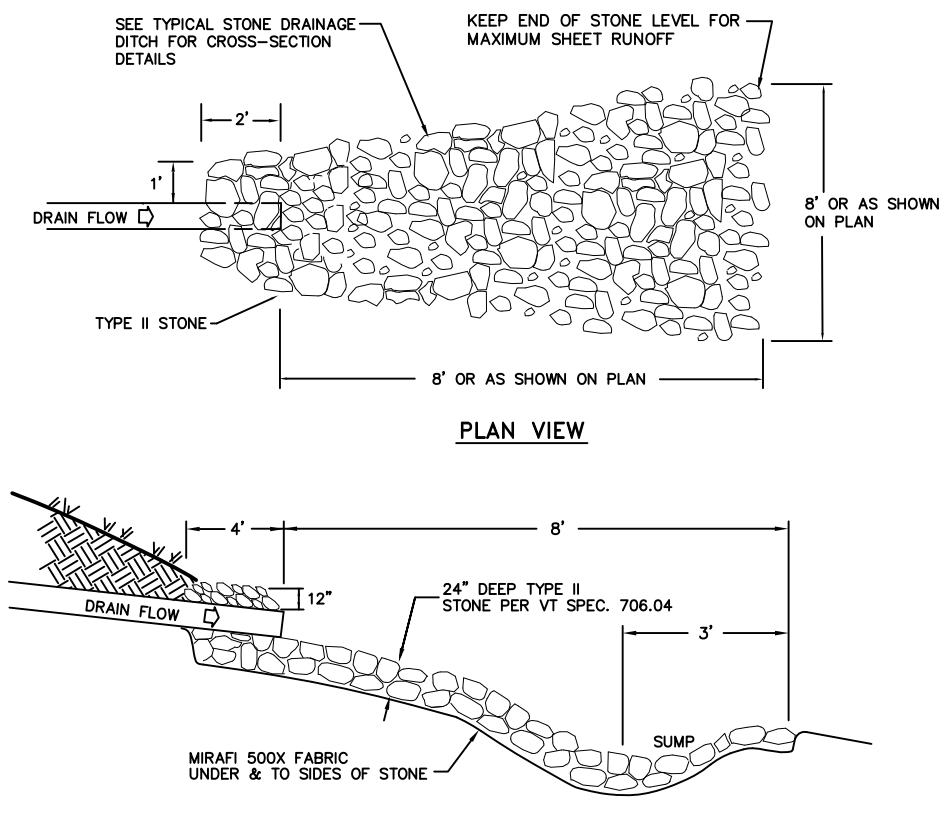
TYPICAL STREET TREE OF A TYPE INDIGENOUS TO THE NEIGHBORHOOD. MIN 2.5" DIAMETER SPACED 60" ON CENTER

PROPOSED LANDSCAPING SCHEDULE				
SYMBOL	QUANTITY	COMMON NAME	BOTANIC NAME	SIZE
●	6	Summer Wine Noinbark	Physocarpus	5 gal.
●	3	Annabelle Hydrangea	Hydrangea	5 gal.
●	3	Bluestar Juniper	Juniperus Sabina	5 gal.
●	6	Golden Princess Spirea	Spiraea	5 gal.
●	12	Northland Blueberry	Vaccinium	5 gal.
●	6	Black Lace Elderberry	Sambucus	5 gal.



DRY SWALE

NTS



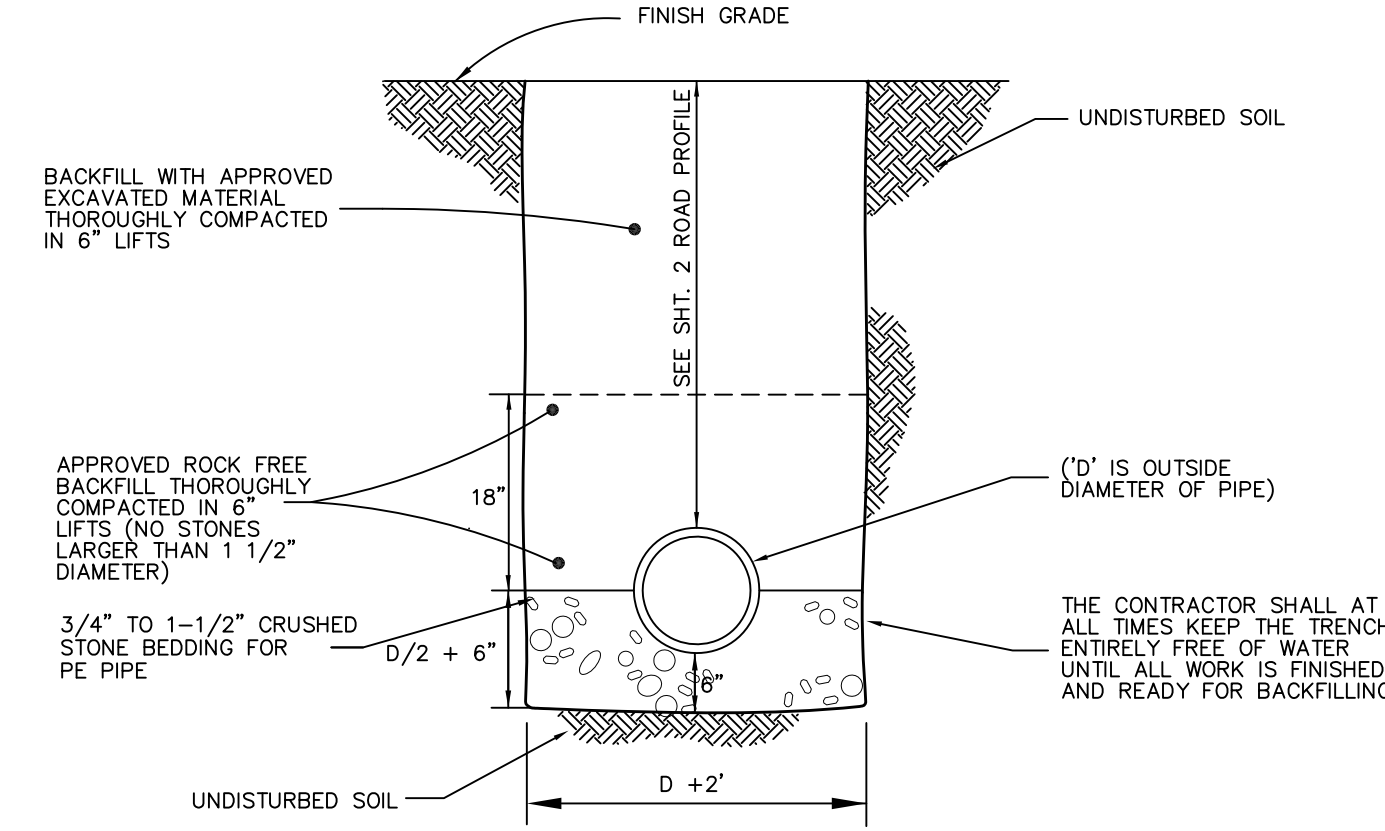
STORM OUTFALL DETAIL

NTS

- IMPORTANT STORM NOTES DURING CONSTRUCTION**
- A. Low flow orifice at bottom - Very important that there be at least 6" of space between the top of stone and invert of the orifice to prevent clogging.
 - B. Middle orifice - Usually larger than low flow orifice to allow some stormwater to outflow prior reaching the top horizontal orifice (not all storm systems have this device - depends on storm modeling).
 - C. Top of standpipe shall be 6" below the top of system which shall be level elevation shown on plan. Pipe should be cut to length after installation of swale to ensure this requirement is met.
 - D. The primary function of the outside pipe is to function as a trash rack (i.e. to prevent debris from clogging the low flow orifice). That is why the 6" of freeboard is so important - see note A above. The trash rack orifices shall be cut no larger than the low flow orifice specified on the plan - see detail. The orifices can be cut with a hole saw or spade bit. Any plastic burrs should be removed with a file or whatever mechanism necessary to ensure holes are smooth to lessen the chances of clogging.
 - E. Emergency spillway is a stone overflow that should be approximately 3" below the top of the system to ensure that if the swale is completely full of water, it will overflow in that location best fit to receive a flood situation (usually at outlet location).

STORM SYSTEM MAINTENANCE

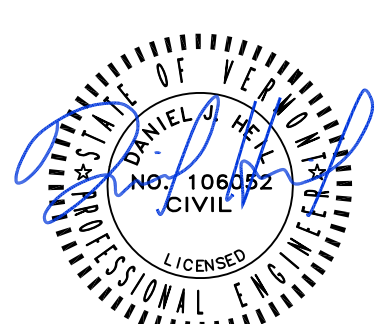
- MAINTENANCE PLAN**
- SYSTEM MAINTENANCE IS IMPORTANT FOR TREATMENT AND CONTROL OF STORM RUNOFF FROM THE IMPERVIOUS SURFACES (ROAD, PARKING, AND WALKWAY). THE FOLLOWING ELEMENTS FORM THE MINIMUM REQUIREMENTS:
1. THE OWNER (OR REPRESENTATIVE) SHALL PERFORM INSPECTIONS BI-ANNUALLY AND FOLLOWING SIGNIFICANT (LARGE) STORM EVENTS. THE FOLLOWING ITEMS SHALL BE REVIEWED: CONDITION OF THE DITCH SURFACES, DEPTH OF ACCUMULATED SEDIMENT (IF ANY), THE PRESENCE OF EROSION (IF ANY), CONDITION OF THE STORM PIPES, AND THE CONDITION OF THE PIPE INLETS AND OUTLETS. ANY OBSERVABLE DEGRADATION OF THE STORM SYSTEM SHALL BE NOTED.
 2. THE OWNER (OR REPRESENTATIVE) SHALL COMPLETE REPAIR OF ANY ITEMS, AS REQUIRED TO MAINTAIN OPTIMAL SYSTEM OPERATION. AT A MINIMUM, THE FOLLOWING ITEMS SHALL BE INCLUDED:
 - A. ANY EROSION GULLIES 6 INCHES OR DEEPER SHALL BE FILLED AND VEGETATION ESTABLISHED IN THE DISTURBED AREA.
 - B. SEDIMENT ACCUMULATED TO A DEPTH OF MORE THAN 6 INCHES IN THE ROAD DITCHES SHALL BE REMOVED AND DISPOSED OF IN AN UPLAND AREA THAT IS NOT WITHIN 100 FEET OF WATERS OF THE STATE. VEGETATION SHALL BE ESTABLISHED IN ALL DISTURBED AREAS.
 - C. VEGETATION SHALL BE ESTABLISHED AS NEEDED, IN AREAS OF BARE SOIL. THIS IS PARTICULARLY IMPORTANT IN FLOW AREAS WHERE VEGETATION PROVIDES SEDIMENT REMOVAL.
 - D. SILT FENCES SHALL BE USED IF NEEDED TO PREVENT EROSION AND AID IN THE ESTABLISHMENT OF VEGETATION. THESE TEMPORARY MEASURES SHALL BE REMOVED AFTER THE SITE IS STABILIZED AND THE RISK OF EROSION IS REDUCED.
 - E. THE GRASSSED AREAS SHALL BE MOWED AS NEEDED TO PREVENT THE ESTABLISHMENT OF WOODY VEGETATION.



STORM SEWER TRENCH

NTS

THE CONTRACTOR SHALL NOTIFY "DIGSAFE" AT 1-888-DIG-SAFE PRIOR TO ANY EXCAVATION.



DATE 3/22/19	REVISION FOUNDATION PLANTINGS AND LANDSCAPE SCHEDULE	BY DJH
SURVEY OBCA	RECORD DRAWING	DATE 2/15/19
DESIGN OBCA	PRELIMINARY	DATE 2/15/19
DRAWN DJH	FINAL	DATE 2/15/19
CHECKED DWB	SKETCH/CONCEPT	DATE 2/15/19
SCALE N.T.S.		DATE 2/15/19

O'LEARY-BURKE CIVIL ASSOCIATES, PLC

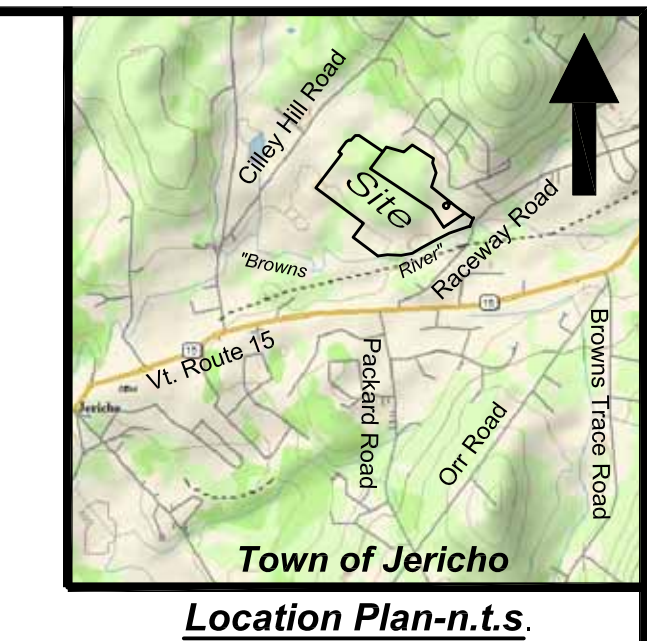
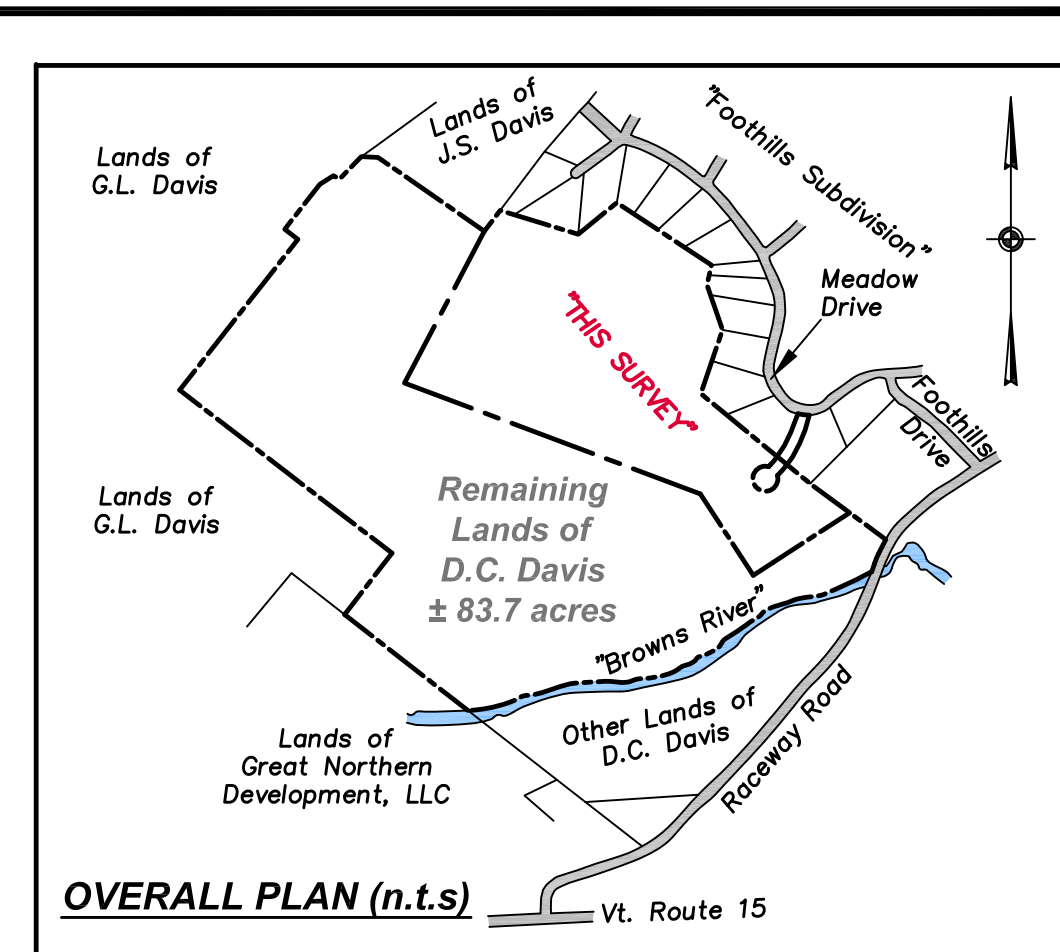
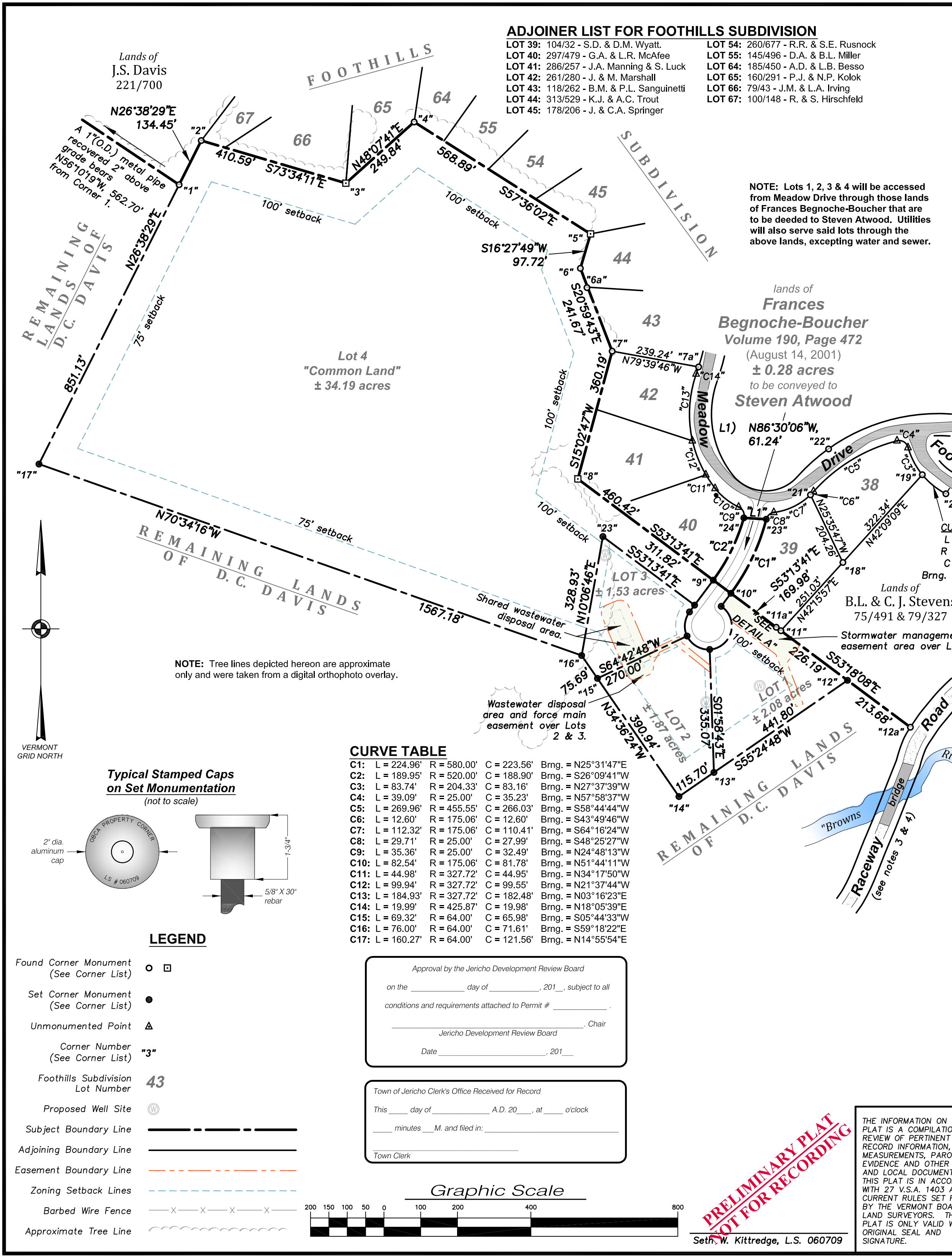
13 CORPORATE DRIVE
ESSEX VCT, VT
PHONE: 878-9590
FAX: 878-9589

NORTON MEADOWS

RACEWAY RD. JERICO, VT

Landscaping & Stormwater
Details & Specifications

PLAN SHEET # 7

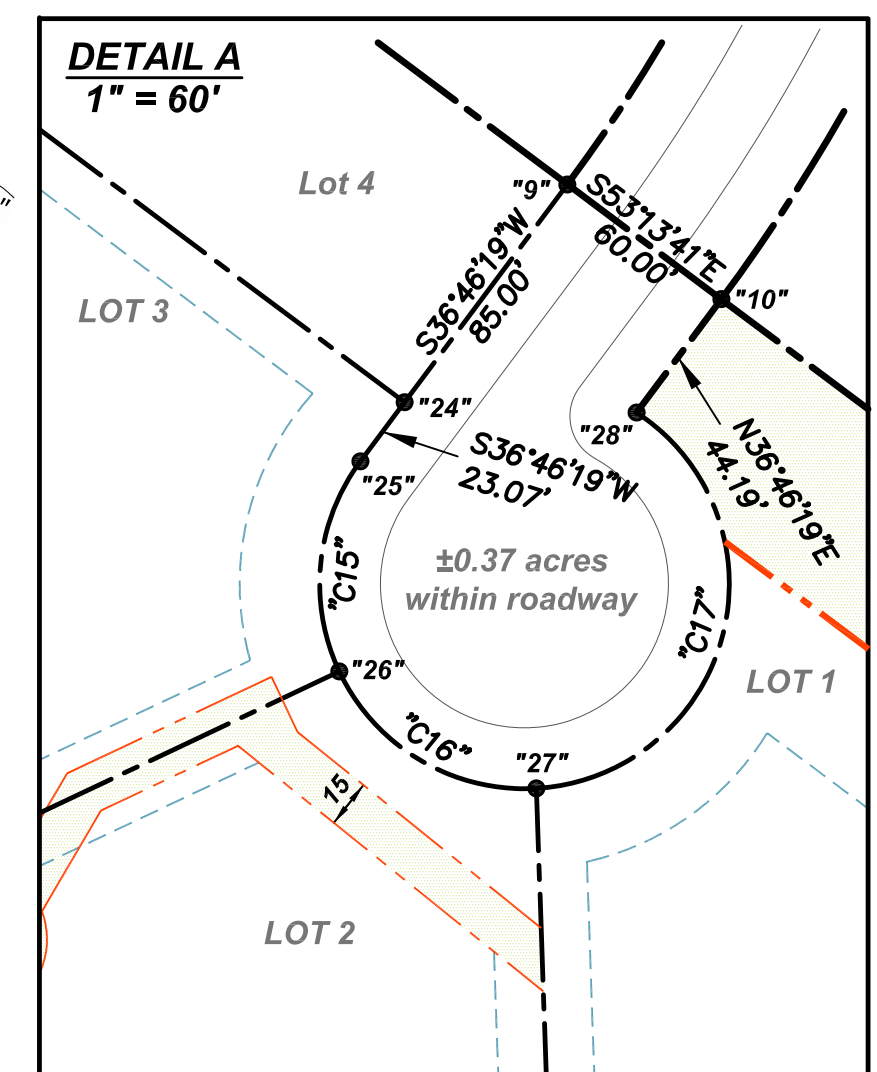


CORNER LIST

- NOTE:** (O.D.) indicates outside diameter of applicable monument.
- CORNER 1: 1/2" rebar recovered 2" above grade.
 - CORNER 2: 1-1/2"(O.D.) metal pipe recovered 4" above grade.
 - CORNER 3: 4" X 4" concrete monument recovered 12" above grade.
 - CORNER 4: 1-1/2"(O.D.) metal pipe recovered 5" above grade.
 - CORNER 5: 4" X 4" concrete monument recovered 12" above grade.
 - CORNER 6: 1-1/2"(O.D.) metal pipe recovered 18" above grade.
 - CORNER 6a: 1-1/2"(O.D.) metal pipe recovered leaning 12" above grade and bears S18°56'35"E, 55.45' from Corner 6.
 - CORNER 7: 1-1/2"(O.D.) metal pipe recovered 8" above grade.
 - CORNER 7a: 1-1/2"(O.D.) metal pipe recovered 8" below grade.
 - CORNER 8: 4" X 4" concrete monument recovered 22" above grade.
 - CORNER 9: 5/8" rebar TO BE SET
 - CORNER 10: 5/8" rebar TO BE SET
 - CORNER 11: 1"(O.D.) metal pipe recovered 12" above grade.
 - CORNER 11a: 1"(O.D.) metal pipe recovered 14" above grade and bears N53°27'01"W, 15.68' from Corner 11.
 - CORNER 12: 5/8" rebar TO BE SET
 - CORNER 12a: 1-1/4"(O.D.) metal pipe recovered 16" above grade.
 - CORNER 13: 5/8" rebar TO BE SET
 - CORNER 14: 5/8" rebar TO BE SET
 - CORNER 15: 5/8" rebar TO BE SET
 - CORNER 16: 5/8" rebar TO BE SET
 - CORNER 17: 5/8" rebar TO BE SET
 - CORNER 18: 1"(O.D.) metal pipe recovered 6" above grade.
 - CORNER 19: 1-1/4"(O.D.) metal pipe recovered leaning 4" above grade.
 - CORNER 20: 1-1/4"(O.D.) metal pipe recovered 2" above grade.
 - CORNER 21: 1"(O.D.) metal pipe recovered flush with grade.
 - CORNER 22: 1/2" rebar recovered 9" above grade and bears N21°33'33"E, 134.27' from Corner 26.
 - CORNER 23: 5/8" rebar TO BE SET
 - CORNER 24: 5/8" rebar TO BE SET
 - CORNER 25: 5/8" rebar TO BE SET
 - CORNER 26: 5/8" rebar TO BE SET
 - CORNER 27: 5/8" rebar TO BE SET
 - CORNER 28: 5/8" rebar TO BE SET

SURVEY NOTES

- The purpose of this survey was to subdivide and monument the lines and corners of a portion of lands deeded to Dean C. Davis in Volume 89, Page 318 of the Jericho Land Records dated November 24, 1987 and is located westerly of Raceway Road and Browns River, in the Town of Jericho, County of Chittenden, State of Vermont.
- The following plats and plans recovered in the Town of Jericho Land Records were used in aid of this survey:
 - Survey descriptions of original Town Lots 11, 12, 13, 20, 21, 22, 23, 24, 35, 36 and 37 and were recovered in the Town of Jericho Survey Book at pages 37, 40, 41, 49 and 50.
 - Original lotting plan of the Town of Jericho and is on file in the Jericho Land Records.
 - 1869 Beers Atlas of Chittenden County, Vermont and is on file in the Jericho Land Records.
 - Plat entitled, "Foothills, Jericho, Vermont, Boundary Plat", prepared by Donald L. Hamlin Consulting Engineers, Inc. dated October 10, 1967 and is recorded in Map Slide #50 of the Jericho Land Records.
 - Plat entitled, "Plat of Survey, Lands of Carol S. Lange, Foothills Drive, Jericho, Vermont", prepared by Albert W. Harris, L.S. 584, dated June 17, 1992, last revised July 17, 1992 and is recorded in the Jericho Land Records.
 - Plat entitled, "Plat of Survey Showing Portion of Shirley Davis Estate, 81.6 Acres (total before division), Chilley Hill Road, Jericho, Vermont", prepared by Warren A. Robenstein, L.S. 48, dated January 16, 2003 and is recorded in Map Slide #309 of the Jericho Land Records.
- This survey does not identify the right of way limits of Raceway Road. The side lines of said highway as shown hereon are approximate only and were determined in part by Corner 12a and a digital orthophoto overlay where the approximate location of the traveled portion of the highway and existing bridge were taken.
- Browns River depicted hereon is approximate only and its location was taken from a digital orthophoto overlay.
- Bearings are based on Vermont State Plane Coordinates (NAD83, VT-4400) derived from Network RTK-GPS observations taken on site February 27, 2014.
- The physical location of underground utilities were not determined by this survey unless otherwise noted.
- The information on this plat reflects conditions that were existing at the time of the survey both at the project location and in the land records of the Town of Jericho.



THE INFORMATION ON THIS PLAT IS A COMPILATION AND REVIEW OF PERTINENT LAND RECORD INFORMATION, FIELD MEASUREMENTS, PAROL EVIDENCE AND OTHER STATE AND LOCAL DOCUMENTS. THIS PLAT IS IN ACCORDANCE WITH 27 V.S.A. 1403 AND CURRENT RULES SET FORTH BY THE VERMONT BOARD OF LAND SURVEYORS. THIS PLAT IS ONLY VALID WITH MY ORIGINAL SEAL AND SIGNATURE.	DATE SURVEY OBCA DESIGN OBCA DRAWN SWK CHECKED DWB SCALE 1" = 200'	REVISION <input type="checkbox"/> RECORD DRAWING <input type="checkbox"/> FINAL <input checked="" type="checkbox"/> PRELIMINARY <input type="checkbox"/> SKETCH	Subdivision Plat of a Portion of Lands Owned by Westerly of Raceway Road - Jericho, Vermont Dean C. Davis	DATE 2/-/2019 JOB 2013-112 FILE 2013-112 -2-20-2019 PLAN SHEET # PL1
	O'LEARY-BURKE CIVIL ASSOCIATES, PLC 13 CORPORATE DRIVE ESSEX, VT PHONE: 878-9990 FAX: 878-9989 E-MAIL: obca@olearyburke.com			