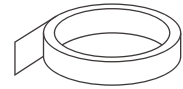
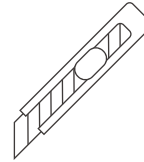
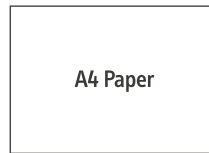


Required Materials:

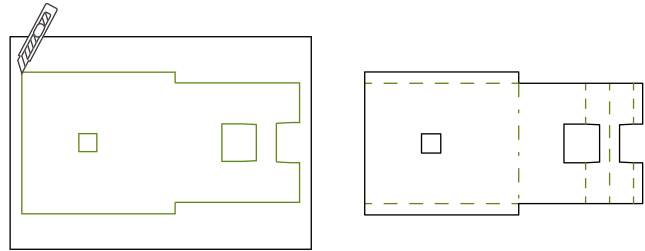
01. A4 or letter-sized 200p grade paper
02. Hobby knife / scissors
03. Double-sided tape



Step 1:

Print template directly onto the 200p grade paper and cut along the solid lines, including the 2 holes within. The 12 dashed lines printed within the template are guidelines for folding.

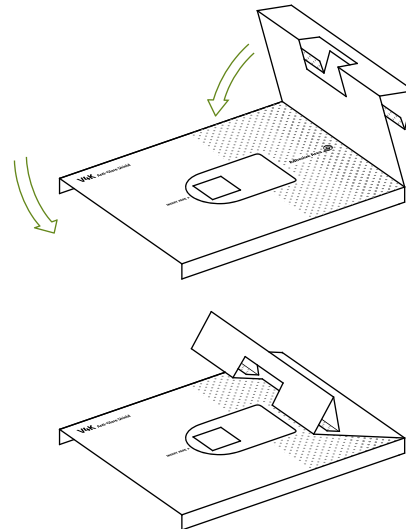
Note: Please make sure scale is set to 100% before printing.



Step 2:

Make folds across the 12 dashed lines as shown in the diagram. After folding, please apply double-sided tape to the shaded regions marked 'Adhesive Area' and make sure to hold in place for a few seconds to allow the adhesive to secure properly.

Tip: Using a pen or a blunt object with a ruler to first make a crease along the dashed lines can make folding a little bit easier. It is also recommended to first make the folds before applying adhesive.



Step 3:

Rotate the head 90° to attach the anti-glare shield as shown in the diagram.

