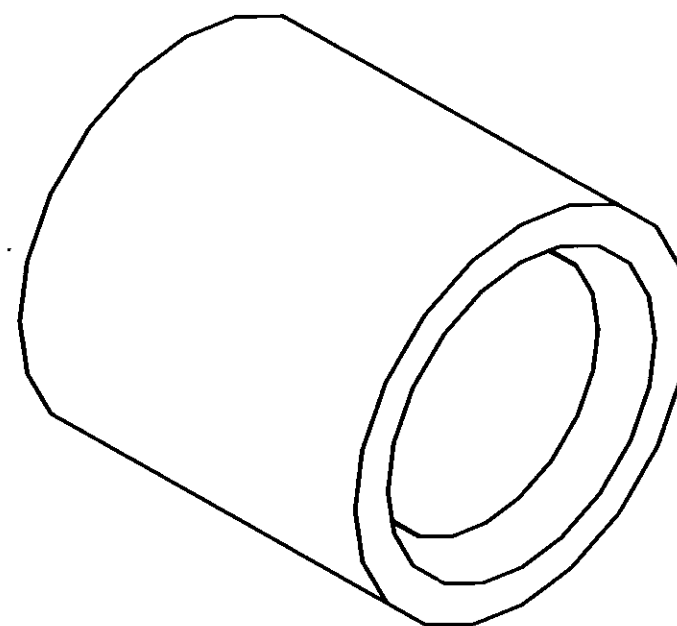
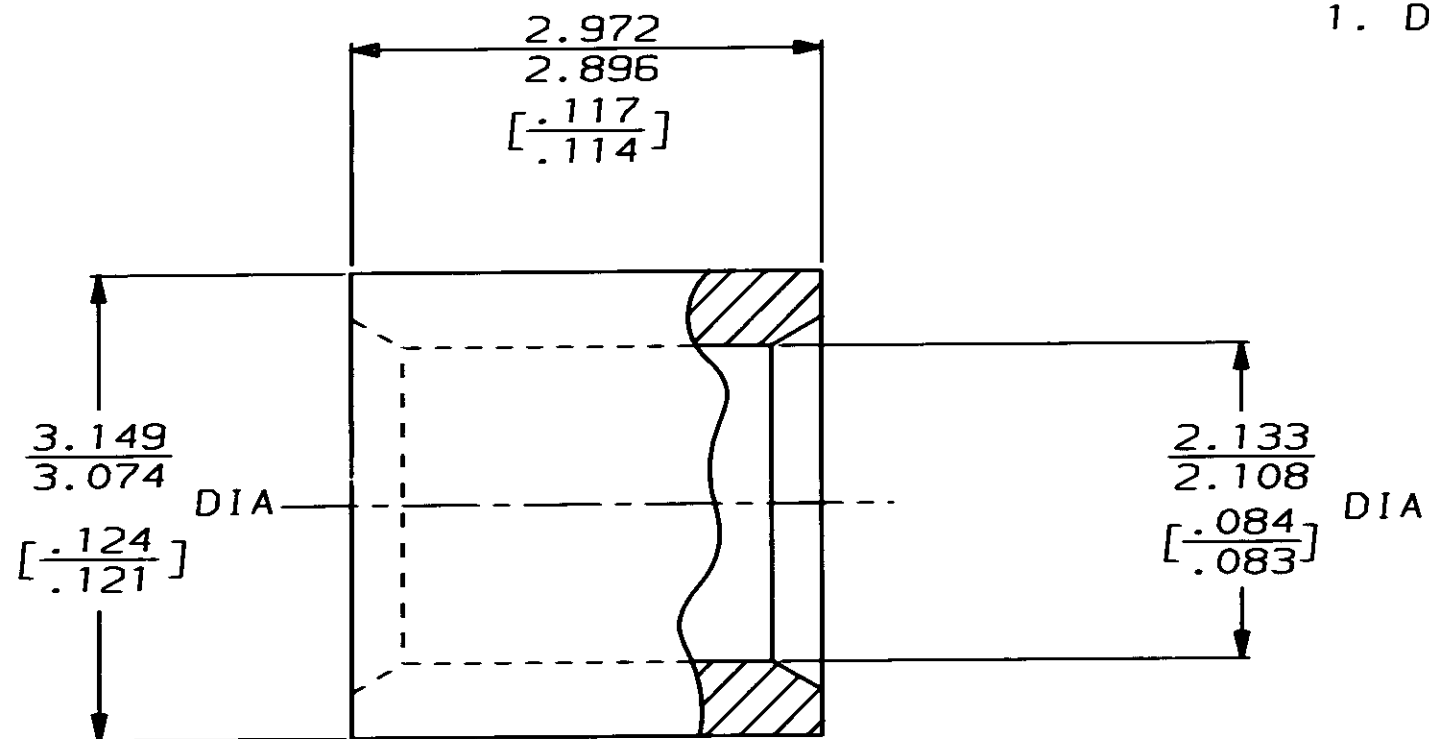


THIS DRAWING IS UNPUBLISHED. RELEASED FOR PUBLICATION, 19 .  
 © COPYRIGHT 19 BY AMP INCORPORATED. ALL INTERNATIONAL RIGHTS RESERVED.

LOC	DIST	P	F	ZONE	LTR	REVISIONS	DATE	APPD
CE	16				B	REV PER CE-1490		
					C	REV PER CE-2238	7-2-91	WE-RH

1. DIMENSIONS IN [ ] ARE IN INCHES



METRIC

DO NOT SCALE PRINT. UNLESS SPECIFIED DIMENSIONS IN mm TOLERANCES ON: 2 PLC DEC ± - 3 PLC DEC ± - ANGLES ± -		DR J ZIEDERS 12/20/88	501048-1	
MATERIAL ACETAL, DELRIN	CHK J GERACE 12/23/87	APPD M BEARD 12/23/87	PART NO	
FINISH -	APPD K MONROE 12/23/87	PRODUCT SPEC -	AMP INCORPORATED Harrisburg, Pa. 17105	
	APPLICATION SPEC -	MEIGHT -	NAME ALIGNMENT SLEEVE, HALF, FSMA-II, OPTIMATE	
			SIZE B	FSCM NO 00779
			SCALE NTS	DRAWING NO 501048
				SHEET 1 OF 1

CUSTOMER DRAWING