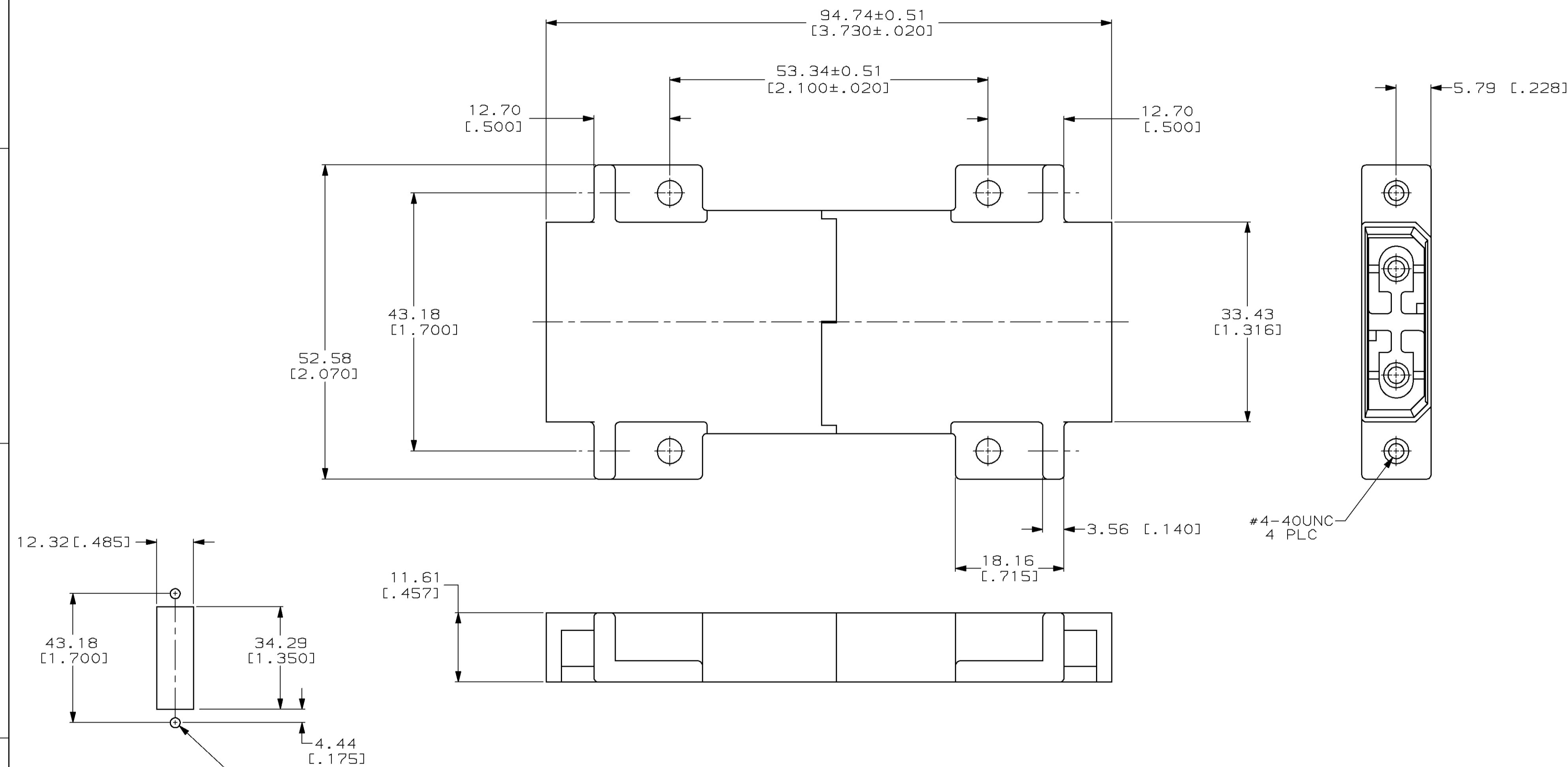


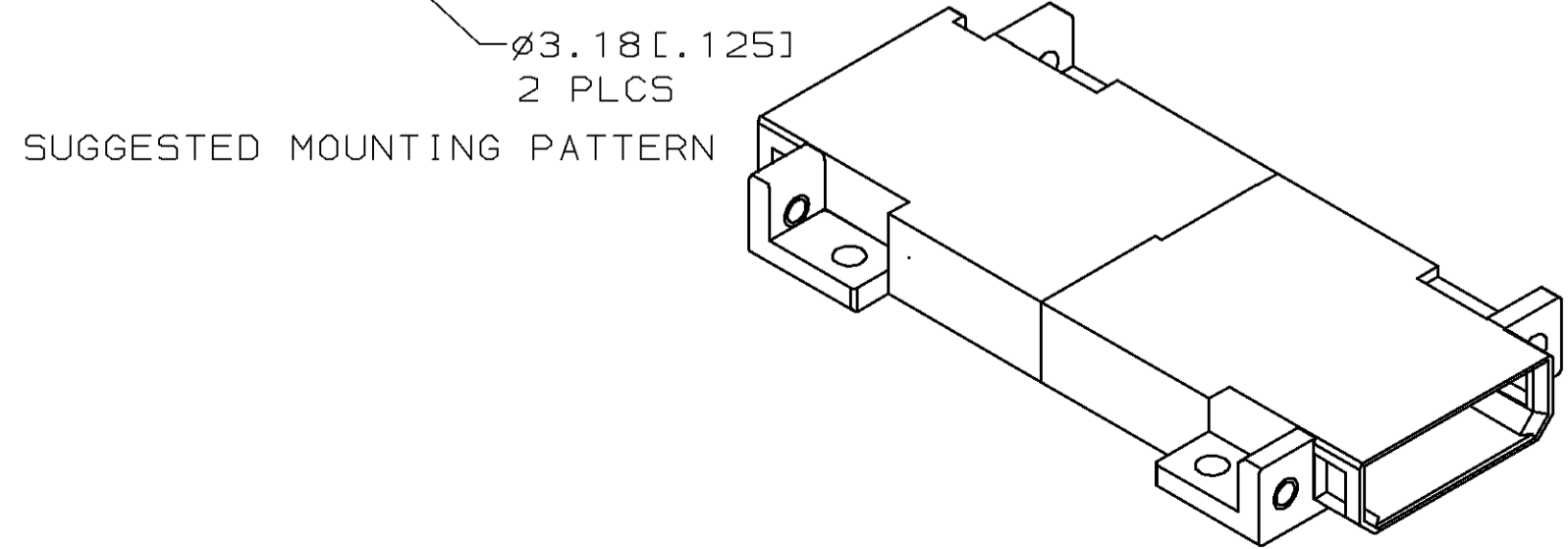
THIS DRAWING IS UNPUBLISHED. RELEASED FOR PUBLICATION
 © COPYRIGHT 19 BY AMP INCORPORATED. ALL RIGHTS RESERVED.

REVISIONS				DATE	DWN	APVD
LOC	DIST	P	LTR	DESCRIPTION		
CE	16			REVISED PER EC 0A00-0477-97	07MAY97	TG SB

1. DIMENSIONS IN [] ARE IN INCHES.



#4-40UNC
4 PLC



OBSOLETE	METAL	BLACK	502825-3
	CERAMIC	BLACK	502825-2
SUPERSEDED BY 502825-2		BEIGE	502825-1
	ALIGNMENT SLEEVE	COLOR	PART NUMBER

THIS DRAWING IS A CONTROLLED DOCUMENT.		DWN	20MAY91	AMP AMP Incorporated Harrisburg, PA 17105-3608
		CHK	27APR92	
		APVD	27APR92	NAME R. WEBER
		PRODUCT SPEC		
		APPLICATION SPEC		SIZE A2
		WEIGHT	-	
MATERIAL: PBT MOLDING COMPOUND		FINISH	-	CAGE CODE 00779
		DRAWING NO C-502825		RESTRICTED TO
		CUSTOMER DRAWING		SCALE 2:1
		SHEET 1 OF 1		REV D