

NOTES:

1. THIS PRODUCT COMPLIES WITH THE EU DIRECTIVE 2002/95/EC ON THE RESTRICTION OF THE USE OF HAZARDOUS SUBSTANCES IN ELECTRICAL AND ELECTRONIC EQUIPMENT (RoHS).
2. -INDIVIDUAL BOX DIMENSIONS:  
28 x 65 x 210mm  
-10pc. CARTON DIMENSIONS:  
70 x 220 x 295mm
3. SHIPPING WEIGHTS: INDIVIDUAL = 48g  
CASE = 553g

▲ DENOTES CRITICAL DIMENSION

**USCONEC LTD. PROPRIETARY**  
THIS DOCUMENT AND THE ASSOCIATED DATA CONTAIN RESTRICTED INFORMATION THAT IS USCONEC LTD. PROPERTY. DISCLOSE OR DUPLICATE FOR OTHERS ONLY AS AUTHORIZED BY USCONEC LTD.

**Material:** N/A

REV	DATE	DESCRIPTION	ECN
C	3/14/08	UPDATED TITLE	01006
D	10/23/08	ADDED NOTES 1 AND 2	01071
E	1/29/09	ADDED SHIPPING WEIGHTS TO DRAWING	01103
F1	7/05/11	REVISED MODEL GEOMETRY	01340
F	7/07/11	RELEASE	01340

**CUSTOMER DRAWING**

DIMENSIONS FOR REFERENCE ONLY

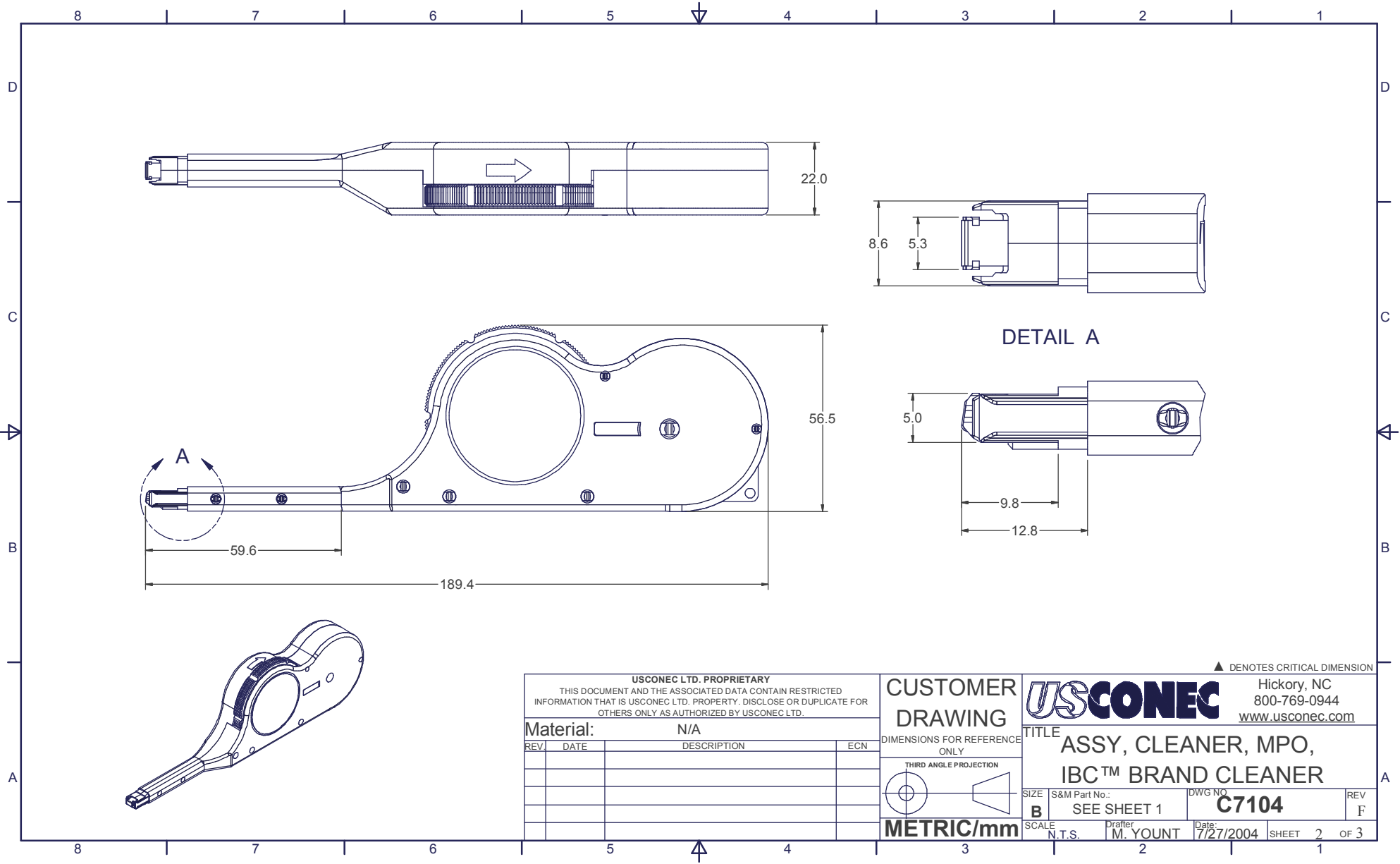
THIRD ANGLE PROJECTION

**METRIC/mm**

**USCONEC** Hickory, NC  
800-769-0944  
[www.usconec.com](http://www.usconec.com)

**TITLE**  
ASSY, CLEANER, MPO,  
IBC™ BRAND CLEANER

SIZE	S&M Part No.:	DWG NO.	REV
<b>B</b>	7104	<b>C7104</b>	F
SCALE	Drafter	Date:	SHEET
N.T.S.	M. YOUNT	7/27/2004	1 OF 3



**USCONEC LTD. PROPRIETARY**  
 THIS DOCUMENT AND THE ASSOCIATED DATA CONTAIN RESTRICTED INFORMATION THAT IS USCONEC LTD. PROPERTY. DISCLOSE OR DUPLICATE FOR OTHERS ONLY AS AUTHORIZED BY USCONEC LTD.

**Material:** N/A

REV	DATE	DESCRIPTION	ECN

**CUSTOMER DRAWING**

DIMENSIONS FOR REFERENCE ONLY

THIRD ANGLE PROJECTION

**METRIC/mm**

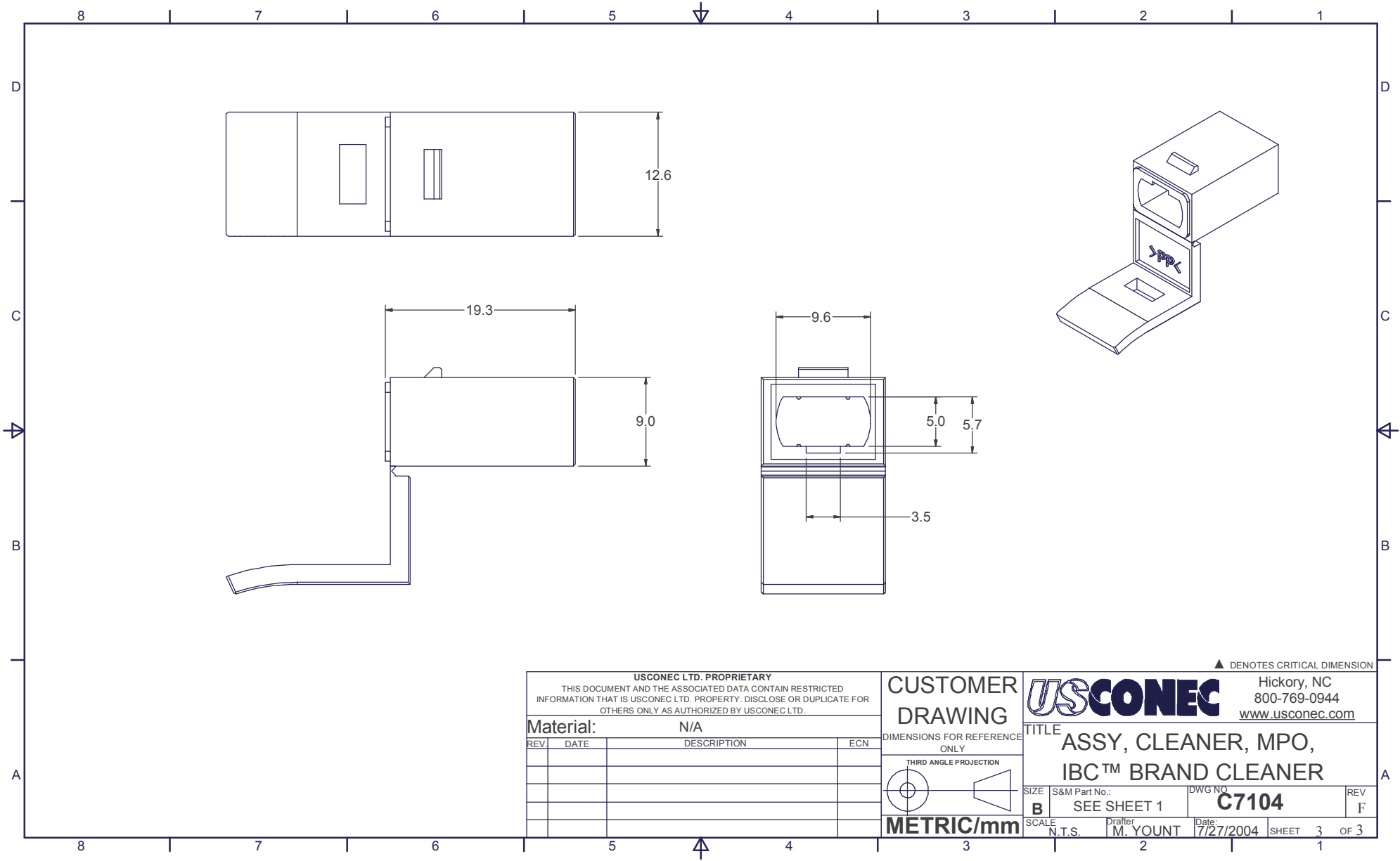
▲ DENOTES CRITICAL DIMENSION

Hickory, NC  
800-769-0944  
[www.usconec.com](http://www.usconec.com)

**USCONEC**

TITLE  
**ASSY, CLEANER, MPO,  
IBC™ BRAND CLEANER**

SIZE <b>B</b>	S&M Part No.: SEE SHEET 1	DWG NO. <b>C7104</b>	REV F
SCALE N.T.S.	Drafter M. YOUNT	Date: 7/27/2004	SHEET 2 OF 3



**USCONEC LTD. PROPRIETARY**  
 THIS DOCUMENT AND THE ASSOCIATED DATA CONTAIN RESTRICTED  
 INFORMATION THAT IS USCONEC LTD. PROPERTY. DISCLOSE OR DUPLICATE FOR  
 OTHERS ONLY AS AUTHORIZED BY USCONEC LTD.

**Material:** N/A

REV	DATE	DESCRIPTION	ECN

**CUSTOMER DRAWING**

DIMENSIONS FOR REFERENCE ONLY

THIRD ANGLE PROJECTION

**METRIC/mm**

▲ DENOTES CRITICAL DIMENSION

**USCONEC** Hickory, NC  
 800-769-0944  
[www.usconec.com](http://www.usconec.com)

**TITLE**  
 ASSY, CLEANER, MPO,  
 IBC™ BRAND CLEANER

SIZE	S&M Part No.:	DWG NO.	REV
<b>B</b>	SEE SHEET 1	<b>C7104</b>	<b>F</b>
SCALE	Drafter	Date:	SHEET
N.T.S.	M. YOUNT	7/27/2004	3 OF 3