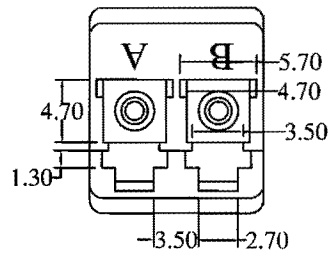
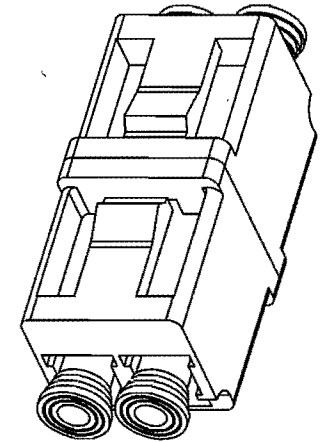
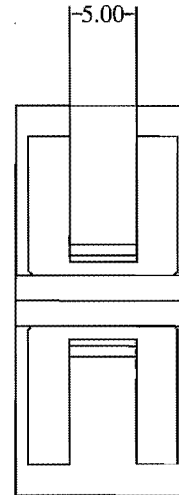
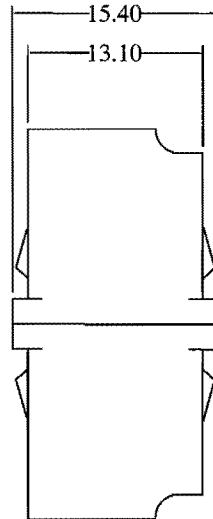
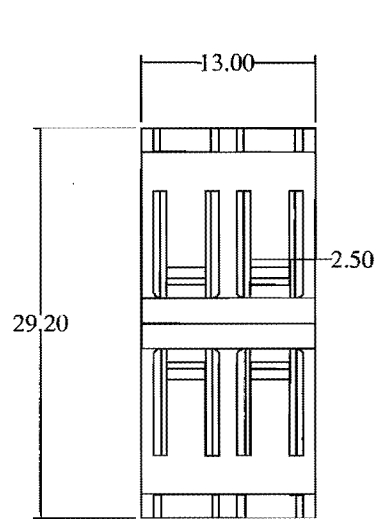


Duplex Single Mode LC Mating Sleeve, Snap Mount

Tolerance			
Length	Super	High	Comm
< 3	0.05	0.1	—
3 to < 6	0.05	0.1	0.2
6 to < 30	0.1	0.2	0.5
30 to < 120	0.15	0.3	0.8
120 to < 315	0.2	0.5	1.2

Version	Mark	Date	Before	Current
A0				



UNIT	mm	PAGE	1/1	MODEL	LC
SCALE	2.000	DRAW	—	DRAW NO.	LC-1
MAT.		CHECK		NAME	
DATE	16-Mar-12	APPR.		MAT NO.	

VIEW