

# Adapter FC D-Shape

## Technical Specification



## GENERAL

This specification covers the requirement of the FC D-Shape adapter for SM and MM applications.

## APPLICATIONS

- Telecommunications
- Local area network
- Fibre optic instrument interface
- Testing optical devices

## FEATURES

- Compliant with NTT and EIA / TIA specifications
- Low insertion loss
- Compact and lightweight
- Easy panel installation
- High durability
- Precision alignment straight split sleeves
- 'Ready to mount' packaging in 50 unit blister trays

**OPTICAL CHARACTERISTICS**

**Typical Insertion Loss [dB] at 1310 nm**

Adapter Type	Zirconia split sleeve	SM	MM
		Phosphor Bronze Sleeve High Quality	Phosphor Bronze Sleeve Standard
FC D-Shape PC	0.10	0.15	0.25
FC D-Shape APC	0.10	0.15	-

**MECHANICAL CHARACTERISTICS**

- Insertion Loss variation after 500 connections: < 0.10 dB
- Corrosion resistant body

**MATERIALS**

Parts	Material	Colour
Body	Nickel plated brass	Metal
Dust cap	Vinyl	Black/Light green *
Sleeve	Zirconia or Phosphor Bronze	-
Hexagonal Nut	Nickel plated brass	Metal
Washer	Nickel plated brass	Metal

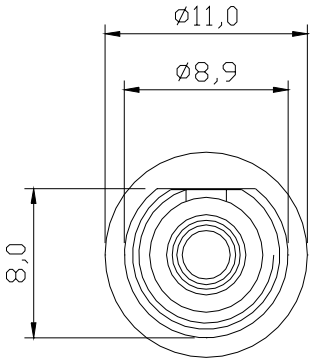
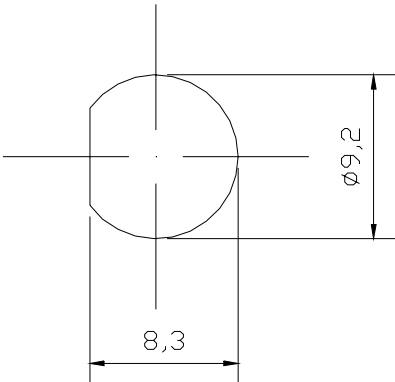
\* Other colours are available on request.

**ENVIRONMENTAL SPECIFICATIONS**

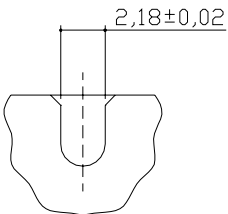
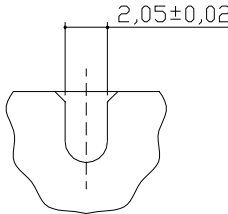
	min	max
Operating Temperature [°C ]	- 20	+ 85
Storage Temperature [°C ]	- 25	+ 95

**RECOMMENDED PANEL HOLE**

The following drawing shows the dimensions recommended for the panel hole:

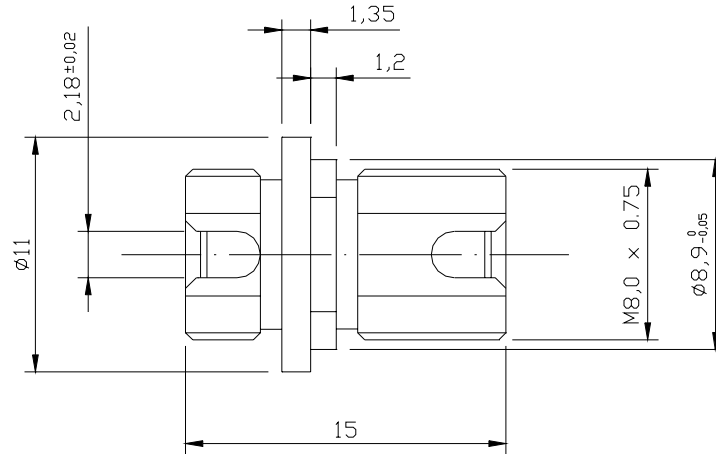
Model	Flange	Recommended Panel Hole
FC D-Shape		

**KEY WIDTH**

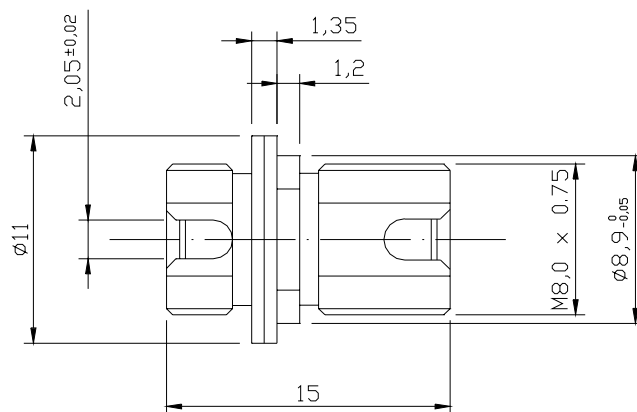
Model	PC	APC
FC D-Shape		

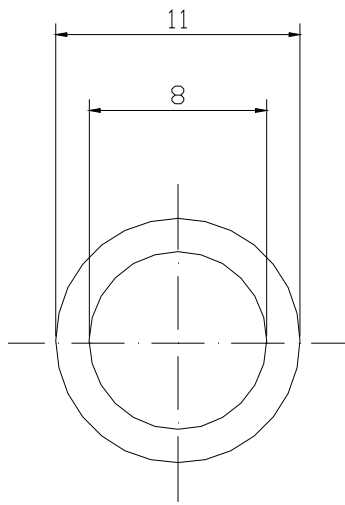
TECHNICAL DRAWING

FC D-Shape Adapter PC

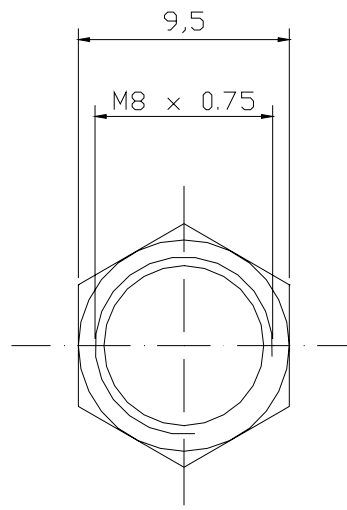


FC D-Shape Adapter APC





Washer



Hexagonal nut

END OF SPECIFICATION