

ALTOS® Lite™ Gel-Free, Single-Jacket, Single-Armored Cables

A LANscape®
Solutions Product

features and benefits |

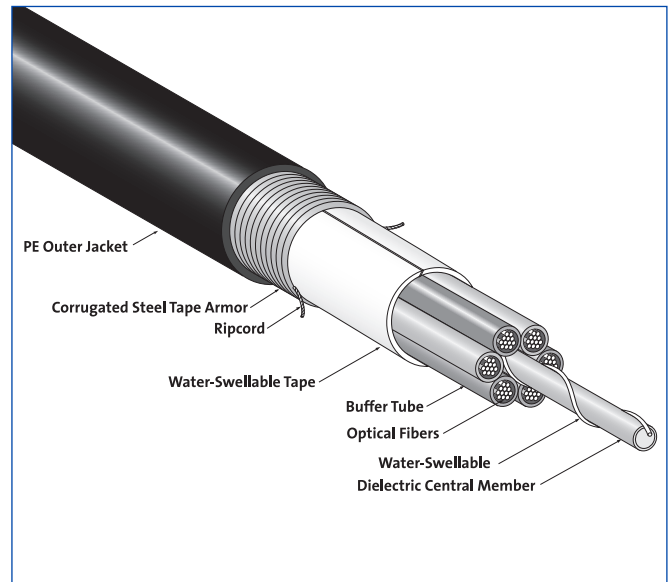
Fully waterblocked loose tube, gel-free design	Simple access and no clean up
Single-armored construction	Provides additional crush and rodent protection
High-strength ripcord	Ease of stripping
Medium-density polyethylene jacket	Rugged, durable and easy to strip
Available in 62.5 µm, 50 µm, single-mode and hybrid versions	Ready for any application including Gigabit Ethernet and 10 Gigabit Ethernet

Corning Cable Systems ALTOS® Lite™ Gel-Free, Single-Jacket, Single-Armored Cables are designed for campus backbones in direct-buried installations. The loose tube design provides stable and highly reliable transmission parameters for a variety of voice, data, video and imaging applications. These cables also provide high-fiber density within a given cable diameter while allowing flexibility to suit many system configurations. The single-armored construction provides additional crush and rodent protection with a high-strength ripcord under the armor for easy stripping. Gel-free means the cables are fully waterblocked using craft-friendly, water-swellable materials which make cable access simple and require no clean up. The flexible craft-friendly buffer tubes are easy to route in closures, and the SZ-stranded, loose tube design isolates fibers from installation and environmental rigors while allowing easy midspan access.

(continued)



ALTOS Lite Gel-Free Cable | Photo LAN1277



ALTOS Lite Gel-Free Cable | Drawing ZA-1610

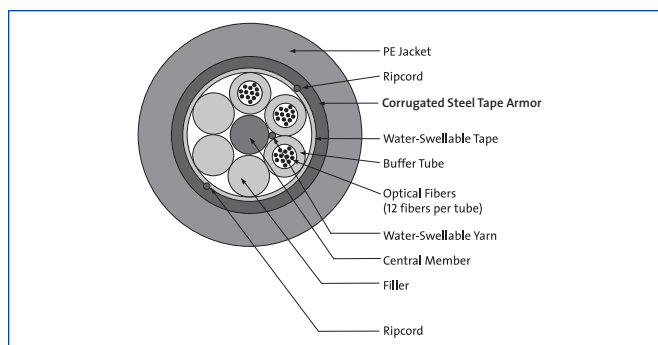
ALTOS® Lite™ Gel-Free, Single-Jacket, Single-Armored Cables

A LANscape® Solutions Product

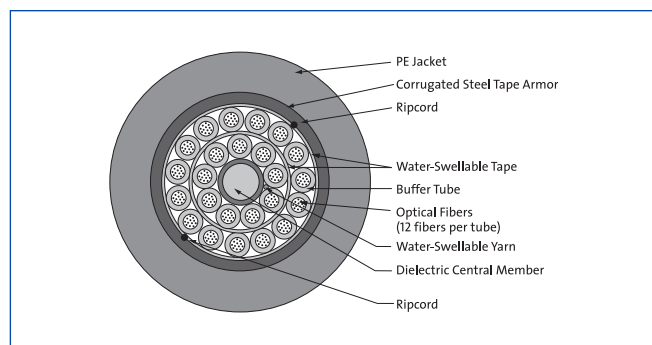
These cables have a medium-density polyethylene jacket that is rugged, durable and easy to strip.

fibers with Gigabit Ethernet and 10 Gigabit Ethernet performance. These cables are also available with optional extended operating temperature to -50°C (-58°F) in a variety of fiber counts.

A variety of fiber types are available including 62.5 µm, 50 µm, single-mode and hybrid versions as well as



ALTOS® Lite Gel-Free, Single-Jacket, Single-Armored Cable, 24-Fiber | Drawing ZA-2647



ALTOS Lite Gel-Free, Single-Jacket, Single-Armored Cable, 288-Fiber | Drawing ZA-1613

specifications |

Maximum Tensile Loads Short-Term: 2700 N (600 lbf)
 Long-Term: 890 N (200 lbf)

Temperatures Storage: -40° to +70°C (-40° to +158°F)
 Installation: -30° to +70°C (-22° to +158°F)
 Operation: -40° to +70°C (-40° to +158°F)

Common Installations Outdoor lashed aerial and duct and direct-buried; indoor when installed according to National Electrical Code® (NEC®) Article 770

Design and Test Criteria ANSI/ICEA S-87-640

Corning Cable Systems recommends storing cable in a proper temperature environment prior to installation to allow the cable temperature to meet installation temperature range specifications for best installation results.

Fiber Count	Maximum Fibers per Tube	Number of Tube Positions	Number of Active Tubes	Central Member	Nominal Cable Weight kg/km (lb/1000 ft)	Nominal Outside Diameter mm (in)	Minimum Bend Radius Loaded cm (in)	Minimum Bend Radius Installed cm (in)
2-72	12	6	1-6	Dielectric	129 (87)	12.1 (0.48)	18.2 (7.2)	12.1 (4.8)
73-96	12	8	7-8	Dielectric	162 (109)	13.8 (0.54)	20.7 (8.1)	13.8 (5.4)
97-144	12	12	9-12	Dielectric	245 (164)	17.5 (0.69)	26.3 (10.4)	17.5 (6.9)
145-216	12	18	13-18	Dielectric	233 (156)	17.7 (0.70)	26.6 (10.5)	17.7 (7.0)
217-288	12	24	19-24	Dielectric	293 (196)	20.0 (0.79)	30.0 (11.8)	20.0 (7.9)

ALTOS® Lite™ Gel-Free, Single-Jacket, Single-Armored Cables

A LANscape®
Solutions Product

transmission performance |

	LANscape® 62.5 Solutions	LANscape Pretium® 150 Solutions	LANscape Pretium 300 Solutions	LANscape Pretium 550 Solutions	LANscape Pretium 600 Solutions	Single-Mode
Fiber Code	K	T	T	T	T	E
Performance Option Code	30	31	80	90	91	01
Optical Fiber Type (µm)	62.5 Multimode	50 Multimode	50 Multimode	50 Multimode	50 Multimode	Single-mode****
ISO/IEC 11801 Nomenclature	OM1	OM2	OM3***	OM4***	OM4***	OS2
Wavelength (nm)	850/1300	850/1300	850/1300	850/1300	850/1300	1310/1383/1550
Maximum Attenuation (dB/km)	3.4/1.0	3.0/1.0	3.0/1.0	3.0/1.0	3.0/1.0	0.4/0.4/0.3
Minimum Over Filled Launch (OFL) Bandwidth (MHz•km)	200/500	700/500	1500/500	3500/500	3500/500	- / - / -
Minimum Effective Modal Bandwidth (EMB) (MHz•km)	220/ -	950/ -	2000/ -	4700/ -	5350/ -	- / - / -
Serial 1 Gigabit Ethernet Distance (m)	300/550	750/600	1000/600	1100/600	1100/600	5000 / - / -
Serial 10 Gigabit Ethernet Distance (m)	33/ -	150/ -	300/ -	550*/ -	600**/ -	10000/ - /40000

* Assumes 1.0 dB maximum total connector/splice loss.

** Assumes 0.7 dB maximum total connector/splice loss.

*** Meets 0.75 ns optical skew when used in all Corning Cable Systems Plug & Play™ Systems solutions.

**** ITU 652.D compliant.

Notes:

- 1) Improved attenuation and bandwidth options available.
- 2) Bend-insensitive single-mode fibers available on request.
- 3) Contact a Corning Cable Systems Customer Service Representative for additional information.
- 4) 50 µm multimode fiber macrobend loss ≤ 0.2 dB at 850 nm for two turns around 7.5 mm radius mandrel.

ALTOS® Lite™ Gel-Free, Single-Jacket, Single-Armored Cables

A LANscape®
Solutions Product

[ordering information](#) | Contact Customer Service at 800-743-2671 for other options.

<input type="checkbox"/>	<input type="checkbox"/>	<input type="checkbox"/>	<input type="checkbox"/>	U	C	-	T	4	1	<input type="checkbox"/>	<input type="checkbox"/>	D	2	0
1	2	3	4	5	6	7	8	9	10	11	12	13	14	

|1-3

Select fiber count.

Standard offerings:

012	048	096	216
024	060	144	288
036	072	192	

|4

Select fiber code (see Transmission Performance table).

|5 / 12

Defines cable type.

U / D = ALTOS® Gel-Free Cable

|6

Defines outer jacket.

C = Lite™ Armored Cable jacket

|7

Defines fiber placement.

T = 12 fibers/buffer tube (standard)

|8

Defines length in markings.

4 = Markings in feet (standard)

|9

Defines tensile strength (see Specifications).

|10-11

Select performance option code (see Transmission Performance table).

|13-14

Defines special requirements.
20 = No special requirements

Corning Cable Systems LLC • PO Box 489 • Hickory, NC 28603-0489 USA
800-743-2675 • FAX: 828-901-5973 • International: +1-828-901-5000 • www.corning.com/cablesystems

Corning Cable Systems reserves the right to improve, enhance and modify the features and specifications of Corning Cable Systems products without prior notification. ALTOS, LANscape and Pretium are registered trademarks of Corning Cable Systems Brands, Inc. Lite and Plug & Play are trademarks of Corning Cable Systems Brands, Inc. All other trademarks are the properties of their respective owners. Corning Cable Systems is ISO 9001 certified. © 2007, 2009 Corning Cable Systems. All rights reserved. Published in the USA. LAN-275-EN / October 2009