

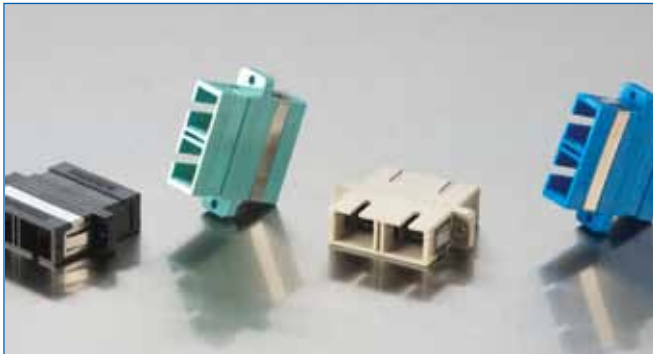
Fiber Optic Adapters/Interconnect Sleeves

A LANscape®
Solutions Product

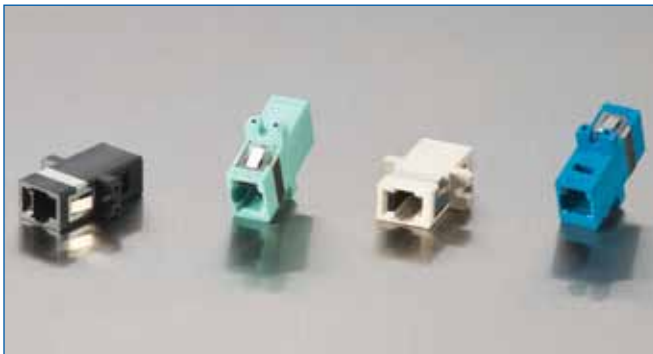
features and benefits |

Variety of colors	TIA/EIA-568-B.3
Ceramic or metal alignment	Variety of applications

Corning Cable Systems offers a full line of factory- and field-installable adapters in a variety of mounting configurations to ensure compatibility with the housing, panel, outlet or faceplate being utilized. Supporting a variety of connector types, the adapters are ideal for cable assembly house and manufacturing environments and local area networks (LAN) at the workstation outlet. Adapters are available with ceramic or metal alignment sleeves and in a variety of colors in support of TIA/EIA-568-B.3.



SC Duplex Adapters | Photo LAN643



MT-RJ Adapters | Photo LAN641



LC Duplex Adapters | Photo LAN708

Fiber Optic Adapters/Interconnect Sleeves

A LANscape®
Solutions Product

specifications |

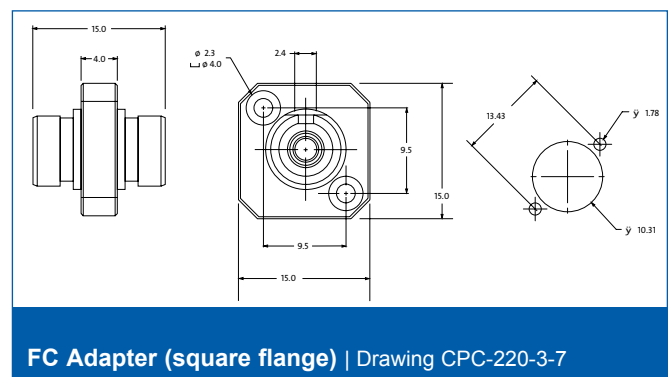
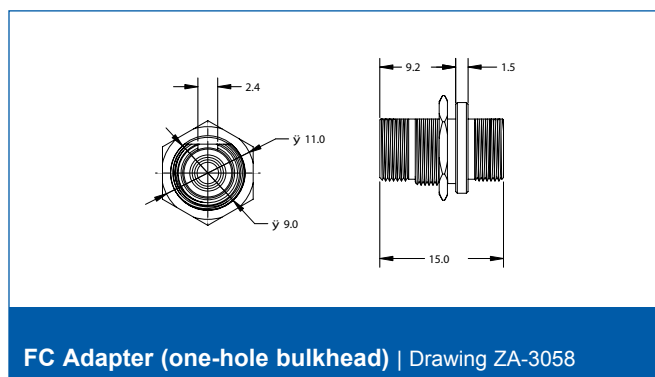
	Application Standards
FC	TIA/EIA-604-4
SC	TIA/EIA-604-3
ST® Compatible	TIA/EIA-604-2
LC	TIA/EIA-604-10
MT-RJ	TIA/EIA-604-12
MTP® Connector Adapter	TIA/EIA-604-5

ordering information |

This is not a complete offering of Corning Cable Systems adapters; please contact Customer Service if required adapter is not listed.

FC Adapters						
Part Number	Housing Material	Mounting	Clip Type	Sleeve Material	Color	Mode*
Square Flanged Model ADP-FC00-MMXSF-NLS	Metal	Square Flange	None	Metal	None	SM, MM
Threaded Model ADP-FC00-MMXTH-NLS	Metal	Threaded	Jam Nut	Metal	None	SM, MM

* SM = Single-mode, MM = Multimode



Note: Specification drawings are available through Customer Service at 800-743-2671.

Fiber Optic Adapters/Interconnect Sleeves

A LANscape®
Solutions Product

ordering information | (continued)

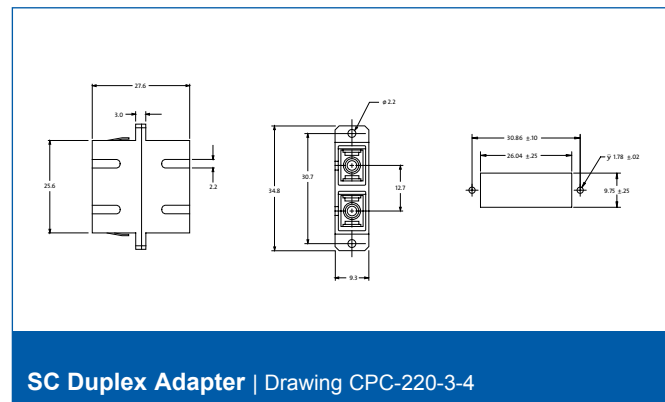
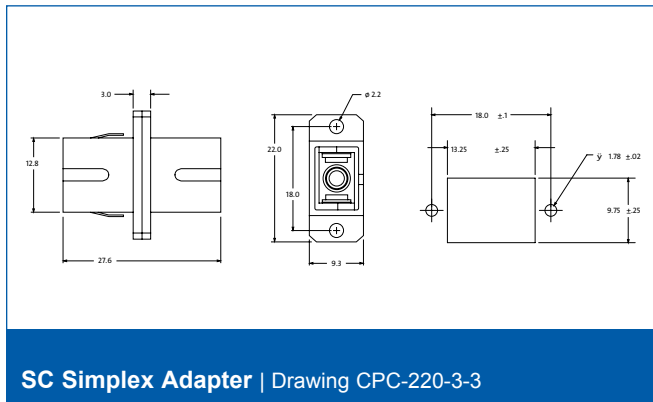
SC Simplex Adapters

Part Number	Housing Material	Mounting	Clip Type	Sleeve Material	Color	Mode*
Full Flange Model						
ADP-SC00-CCAFI-CLS	Composite	Full Flange	Metal Clip	Ceramic	Aqua	LOMMF
ADP-SC00-CCBFL-CLS	Composite	Full Flange	Metal Clip	Ceramic	Black	MM 50 μm
ADP-SC00-CCGFL-CLS	Composite	Full Flange	Metal Clip	Ceramic	Green	SM APC
ADP-SC00-CCKFL-CLS	Composite	Full Flange	Metal Clip	Ceramic	Beige	MM 62.5 μm
ADP-SC00-CCNFI-CLS	Composite	Full Flange	Metal Clip	Ceramic	Blue	SM UPC
ADP-SC00-CMAFI-CLS	Composite	Full Flange	Metal Clip	Metal	Aqua	LOMMF
ADP-SC00-CMBFL-CLS	Composite	Full Flange	Metal Clip	Metal	Black	MM 50 μm
ADP-SC00-CMKFI-CLS	Composite	Full Flange	Metal Clip	Metal	Beige	MM 62.5 μm
ADP-SC00-CMNFI-CLS	Composite	Full Flange	Metal Clip	Metal	Blue	SM UPC

SC Duplex Adapters

Part Number	Housing Material	Mounting	Clip Type	Sleeve Material	Color	Mode*
ADP-DSC0-CCAFI-CLS	Composite	Full Flange	Metal Clip	Ceramic	Aqua	LOMMF
ADP-DSC0-CCBFL-CLS	Composite	Full Flange	Metal Clip	Ceramic	Black	MM 50 μm
ADP-DSC0-CCGFL-CLS	Composite	Full Flange	Metal Clip	Ceramic	Green	SM APC
ADP-DSC0-CCKFL-CLS	Composite	Full Flange	Metal Clip	Ceramic	Beige	MM 62.5 μm
ADP-DSC0-CCNFI-CLS	Composite	Full Flange	Metal Clip	Ceramic	Blue	SM UPC
ADP-DSC0-CMAFI-CLS	Composite	Full Flange	Metal Clip	Metal	Aqua	LOMMF
ADP-DSC0-CMBFL-CLS	Composite	Full Flange	Metal Clip	Metal	Black	MM 50 μm
ADP-DSC0-CMKFI-CLS	Composite	Full Flange	Metal Clip	Metal	Beige	MM 62.5 μm
ADP-DSC0-CMNFI-CLS	Composite	Full Flange	Metal Clip	Metal	Blue	SM UPC

* LOMMF = Laser-optimized multimode fiber, MM = Multimode, SM = Single-mode, APC = Angled PC, UPC = Ultra PC



Note: Specification drawings are available through Customer Service at 800-743-2671.

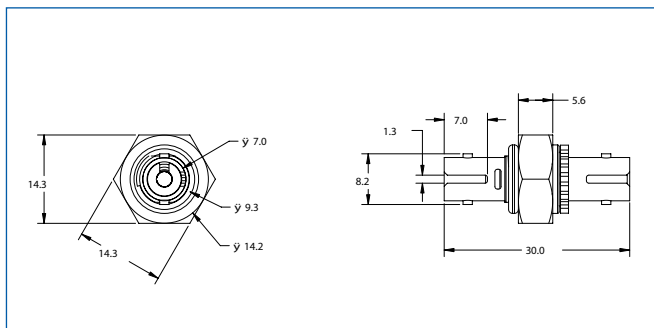
Fiber Optic Adapters/Interconnect Sleeves

A LANscape®
Solutions Product

ordering information | (continued)

ST® Compatible Connector Adapters						
Part Number	Housing Material	Mounting	Clip Type	Sleeve Material	Color	Mode*
Threaded Model						
ADP-ST00-MCATH-NLS	Metal	Threaded	Jam Nut	Ceramic	Aqua	LOMMF
ADP-ST00-MCBTH-NLS	Metal	Threaded	Jam Nut	Ceramic	Black	MM 50 µm
ADP-ST00-MCKTH-NLS	Metal	Threaded	Jam Nut	Ceramic	Beige	MM 62.5 µm
ADP-ST00-MCNTH-NLS	Metal	Threaded	Jam Nut	Ceramic	Blue	SM UPC
ADP-ST00-MCXTH-NLS	Metal	Threaded	Jam Nut	Ceramic	None	SM, MM
ADP-ST00-MMATH-NLS	Metal	Threaded	Jam Nut	Metal	Aqua	LOMMF
ADP-ST00-MMBTH-NLS	Metal	Threaded	Jam Nut	Metal	Black	MM 50 µm
ADP-ST00-MMKTH-NLS	Metal	Threaded	Jam Nut	Metal	Beige	MM 62.5 µm
ADP-ST00-MMNTH-NLS	Metal	Threaded	Jam Nut	Metal	Blue	SM UPC
ADP-ST00-MMXTH-NLS	Metal	Threaded	Jam Nut	Metal	None	SM, MM

* LOMMF = Laser-optimized multimode fiber, MM = Multimode, SM = Single-mode, APC = Angled PC, UPC = Ultra PC



Threaded ST Compatible Connector Adapter
| Drawing ZA-3059

Note: Specification drawings are available through Customer Service at 800-743-2671.

Fiber Optic Adapters/Interconnect Sleeves

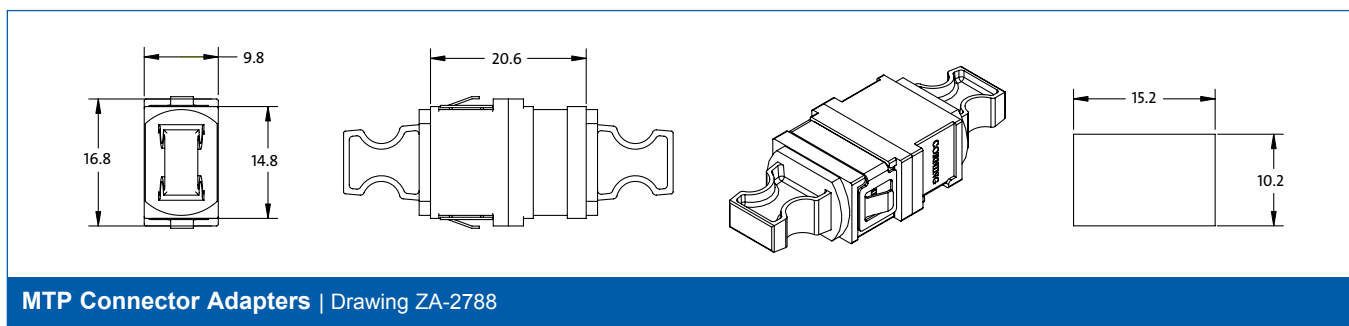
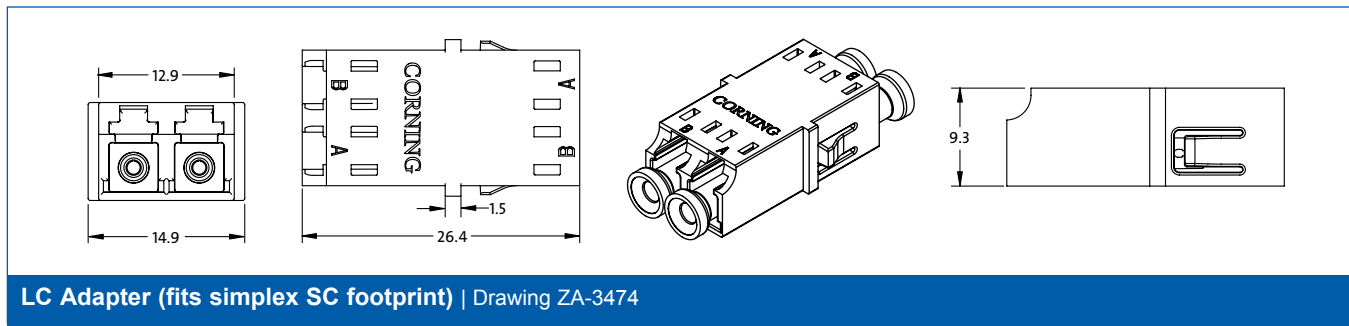
A LANscape®
Solutions Product

ordering information | (continued)

LC Duplex Adapters						
Part Number	Housing Material	Mounting	Clip Type	Sleeve Material	Color	Mode*
Integral Clip Model						
ADP-DLC0-CCARC-CLS	Composite	Reduced Flange	Integral Clip	Ceramic	Aqua	LOMMF
ADP-DLC0-CCBRC-CLS	Composite	Reduced Flange	Integral Clip	Ceramic	Black	MM 50 µm
ADP-DLC0-CCGRC-CLS	Composite	Reduced Flange	Integral Clip	Ceramic	Green	SM APC
ADP-DLC0-CCKRC-CLS	Composite	Reduced Flange	Integral Clip	Ceramic	Beige	MM 62.5 µm
ADP-DLC0-CCNRC-CLS	Composite	Reduced Flange	Integral Clip	Ceramic	Blue	SM UPC
ADP-DLC0-CMARC-CLS	Composite	Reduced Flange	Integral Clip	Metal	Aqua	LOMMF
ADP-DLC0-CMBRC-CLS	Composite	Reduced Flange	Integral Clip	Metal	Black	MM 50 µm
ADP-DLC0-CMKRC-CLS	Composite	Reduced Flange	Integral Clip	Metal	Beige	MM 62.5 µm
ADP-DLC0-CMNRC-CLS	Composite	Reduced Flange	Integral Clip	Metal	Blue	SM UPC

MTP® Connector Adapters						
Part Number	Housing Material	Mounting	Clip Type	Sleeve Material	Color	Mode*
Full-Flange Model						
ADP-MTP0-CNAFL-CLS	Composite	Full Flange	Metal Clip	None	Aqua	LOMMF
ADP-MTP0-CNBFL-CLS	Composite	Full Flange	Metal Clip	None	Black	SM, MM
Reduced-Flange Model						
ADP-MTP0-CNARF-CLS	Composite	Reduced Flange	Metal Clip	None	Aqua	LOMMF
ADP-MTP0-CNBRF-CLS	Composite	Reduced Flange	Metal Clip	None	Black	SM, MM

* LOMMF = Laser-optimized multimode fiber, MM = Multimode, SM = Single-mode, APC = Angled PC, UPC = Ultra PC



Note: Specification drawings are available through Customer Service at 800-743-2671.

Fiber Optic Adapters/Interconnect Sleeves

A LANscape®
Solutions Product

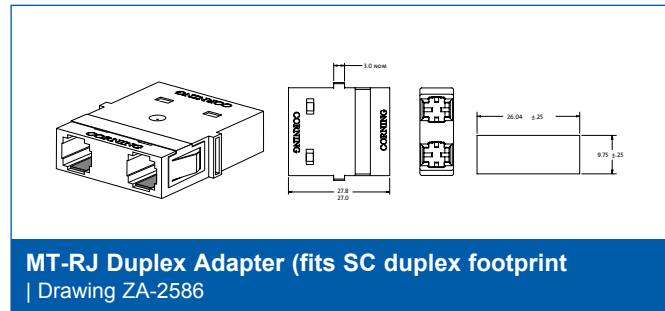
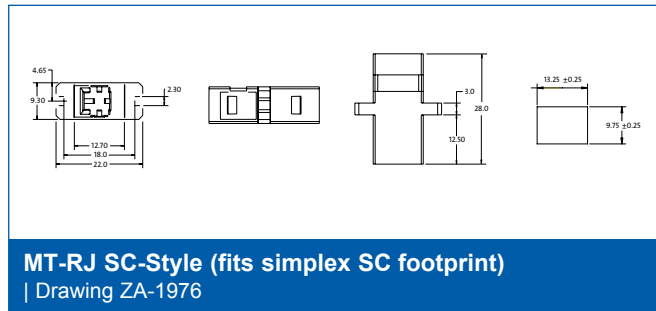
ordering information | (continued)

MT-RJ Adapters						
Part Number	Housing Material	Mounting	Clip Type	Sleeve Material	Color	Mode*
Full-Flange Model						
ADP-MTRJ-CNAFL-CLS	Composite	Full Flange	Metal Clip	None	Aqua	LOMMF
ADP-MTRJ-CNBFL-CLS	Composite	Full Flange	Metal Clip	None	Black	MM 50 µm
ADP-MTRJ-CNKFL-CLS	Composite	Full Flange	Metal Clip	None	Beige	MM 62.5 µm
ADP-MTRJ-CNNFL-CLS	Composite	Full Flange	Metal Clip	None	Blue	SM UPC
Reduced-Flange Model						
ADP-MTRJ-CNBRF-CLS	Composite	Reduced Flange	Metal Clip	None	Black	MM 50 µm
ADP-MTRJ-CNKRF-CLS	Composite	Reduced Flange	Metal Clip	None	Beige	MM 62.5 µm
ADP-MTRJ-CNNRF-CLS	Composite	Reduced Flange	Metal Clip	None	Blue	SM UPC

MT-RJ Duplex Adapters						
Part Number	Housing Material	Mounting	Clip Type	Sleeve Material	Color	Mode*
ADP-DMTR-CNARF-CLS	Composite	Reduced Flange	Metal Clip	None	Aqua	LOMMF
ADP-DMTR-CNBRF-CLS	Composite	Reduced Flange	Metal Clip	None	Black	MM 50 µm
ADP-DMTR-CNKRFL-CLS	Composite	Reduced Flange	Metal Clip	None	Beige	MM 62.5 µm
ADP-DMTR-CNNRF-CLS	Composite	Reduced Flange	Metal Clip	None	Blue	SM UPC

MT-RJ Keyed Adapters						
Part Number	Housing Material	Mounting	Clip Type	Sleeve Material	Color	Mode*
ADP-KRJ0-CNGFL-CLS	Composite	Full Flange	Metal Clip	None	Green	SM, MM
ADP-KRJ0-CNNFL-CLS	Composite	Full Flange	Metal Clip	None	Blue	SM, MM
ADP-KRJ0-CNRFL-CLS	Composite	Full Flange	Metal Clip	None	Red	SM, MM
ADP-KRJ0-CNYFL-CLS	Composite	Full Flange	Metal Clip	None	Yellow	SM, MM

* LOMMF = Laser-optimized multimode fiber, MM = Multimode, SM = Single-mode, APC = Angled PC, UPC = Ultra PC



Note: Specification drawings are available through Customer Service at 800-743-2671.

Fiber Optic Adapters/Interconnect Sleeves

A LANscape®
Solutions Product

ordering information | (continued)

ST® Compatible Connector / FC Adapters

Part Number	Housing Material	Mounting	Clip Type	Sleeve Material	Color	Mode*
ADP-STFC-MMXSF-NLS	Metal	Square Flange	None	Metal	None	SM, MM

ST Compatible Connector / SC Adapters

Part Number	Housing Material	Mounting	Clip Type	Sleeve Material	Color	Mode*
ADP-STSC-CCBFL-NLS	Composite	Full Flange	Metal Clip	Ceramic	Black	SM, MM

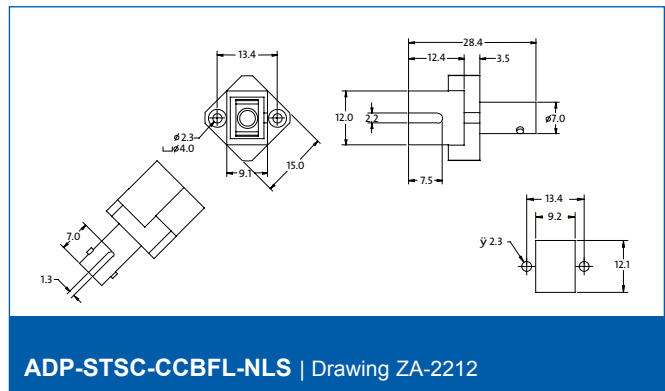
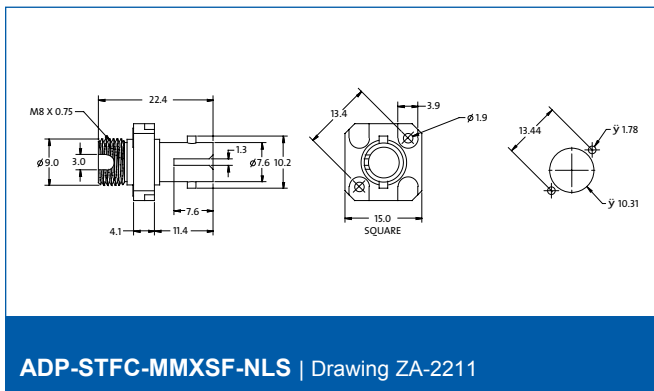
ST Compatible Connector / SC Duplex Adapters

Part Number	Housing Material	Mounting	Clip Type	Sleeve Material	Color	Mode*
ADP-DSCS-CCBFL-NLS	Composite	Full Flange	Metal Clip	Ceramic	Black	SM, MM

FC / SC Adapters

Part Number	Housing Material	Mounting	Clip Type	Sleeve Material	Color	Mode*
ADP-FCSC-CMBFL-NLS	Composite	Full Flange	Metal Clip	Metal	Black	SM, MM

* SM = Single-mode, MM = Multimode



Note: Specification drawings are available through Customer Service at 800-743-2671.

Fiber Optic Adapters/Interconnect Sleeves

A LANscape®
Solutions Product

ordering information | (continued)

Part Number	Description
Adapter Accessories	
ADP-ST00-CAP	Dust Cap for ST® Compatible Connector adapter, black
ADP-FC00-CAP	Dust Cap for FC adapter
ADP-MTP0-CAP	Dust Cap for MTP® Connector adapter, black
ADP-DSC0-CAP	Dust Cap for SC duplex adapter, black
ADP-SC00-CAP-BLK	Dust Cap for SC adapter, black
ADP-LC00-CAP	Dust Cap for LC adapter, clear/opaque
ADP-MTRJ-CAP	Dust Cap for MT-RJ adapter, black
ADP-SC00-CAP-CLR	Dust cap for SC adapter, clear

Corning Cable Systems LLC • PO Box 489 • Hickory, NC 28603-0489 USA
800-743-2675 • FAX: 828-325-5060 • International: +1-828-901-5000 • www.corning.com/cablesystems

Corning Cable Systems reserves the right to improve, enhance and modify the features and specifications of Corning Cable Systems products without prior notification. LANscape is a registered trademark of Corning Cable Systems Brands, Inc. MTP is a registered trademark of USConec, Ltd. ST is a registered trademark of Lucent Technologies. All other trademarks are the properties of their respective owners. Corning Cable Systems is ISO 9001 certified. © 2007, 2010 Corning Cable Systems. All rights reserved. Published in the USA. LAN-304-EN / October 2010