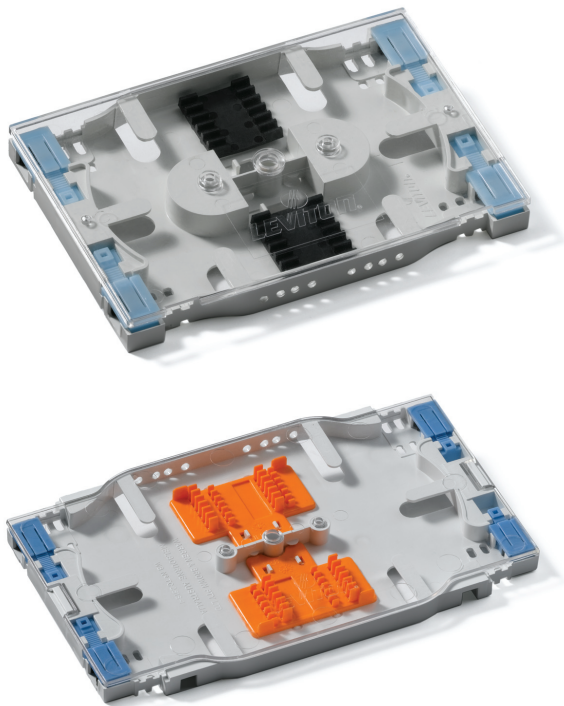


12- & 24-Fiber Injection Molded Splice Trays

APPLICATION

Leviton's Injection Molded Plastic Splice Trays provide protection and slack management of heat shrink fusion spliced fibers (up to 12 or 24 fibers) inside of a fiber enclosure. Available in 12-fiber Mini and 24-fiber High Density versions, both trays accommodate 250 or 900µm fiber and feature a clear cover for viewing and inspection of tray contents.



SPECIFICATION

The fiber splice trays shall be offered in mini and high density versions with removable clear covers for viewing and inspection of fibers. Incoming fiber shall be secured utilizing a ratchet action foam rubber padding clamp feature or tie-down points to minimize crushing of fiber. The trays shall accommodate slack management of both single-mode and multimode 250 or 900µm fiber and protection of (up to) 12 or 24 fiber heat shrink style fusion splices. Heat shrink splice sleeves shall be included.

FEATURES

- Four ratchet action clamps with foam rubber padding to minimize crush of loose tube or tight buffer fiber
- Clear cover allows viewing or inspection of fibers without having to remove cover
- Multiple tie down holes for securing incoming fiber
- Accepts up to 12 or 24 heat shrink style fusion spliced fibers
- Splice sleeves included
- Mounting hardware sold separately
- Accommodates standard heat shrink sleeves in 40 or 60mm lengths

DESIGN CONSIDERATIONS

- Use for single-mode or multimode fiber
- Durable injection-molded plastic trays and covers
- Center hole for mounting of tray
- 12- and 24-fiber splice trays installable in Leviton Opt-X® Series and LightSpace™ CPC/CPS Wall Mount enclosures
- 12-fiber Mini splice trays installable in all Leviton Network Interface Device (NID) enclosures

PHYSICAL SPECIFICATIONS

Dimensions: See page two
Materials: G.E. Noryl E190 UL94 VO Rated

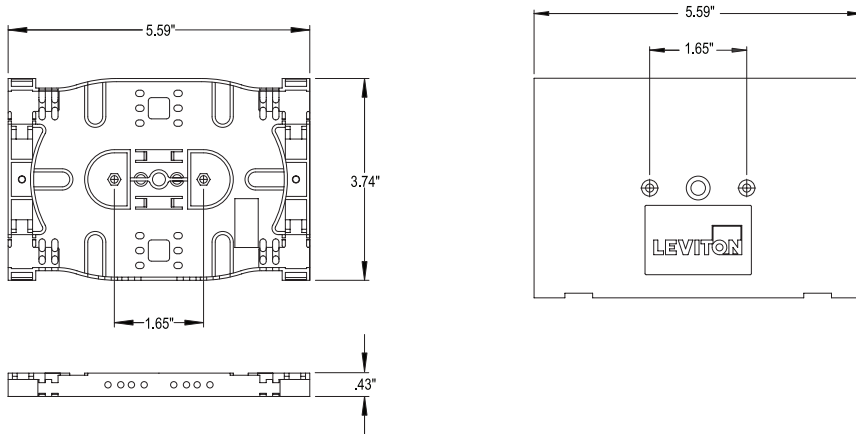
WARRANTY INFORMATION

For a copy of Leviton product warranties, visit www.leviton.com.

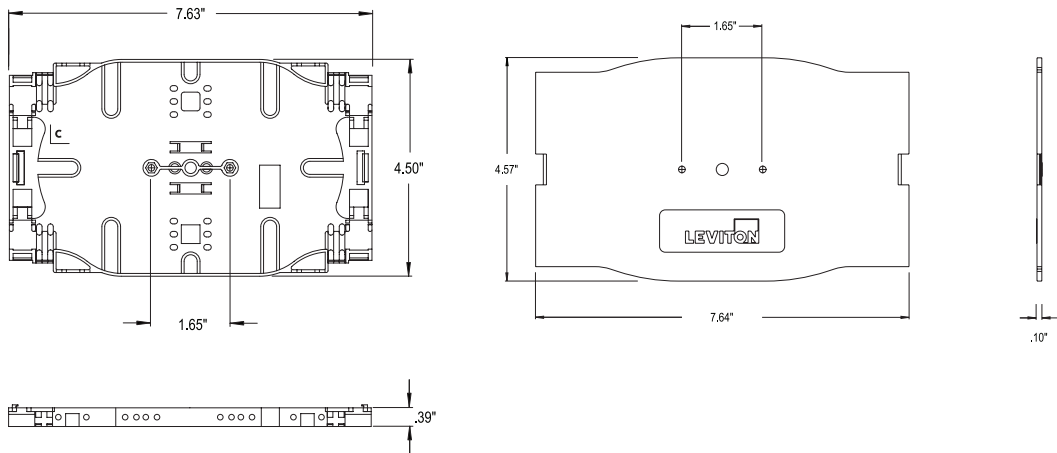
ELECTRONIC FILES

For CAD files, Typical specs, or Dimensional Line Art. (.DXF, .DWG, MS-DOS.eps or .TXT), visit www.leviton.com.

T5PLS-12F



T5PLS-24F



T5PLS-12F T5PLS-24F

NOTE: Images not to scale.

PART NUMBERS

Description	Part No.
12-Fiber Mini Injection Molded Splice Tray	T5PLS-12F
24-Fiber High Density Injection Molded Splice Tray	T5PLS-24F
Splice Tray Mounting Hardware Kit	SPLMT-HKT
Standard Heat Shrink Splice Sleeve 40mm Length	FSSSD-040
Standard Heat Shrink Splice Sleeve 60mm Length	FSSSD-060

