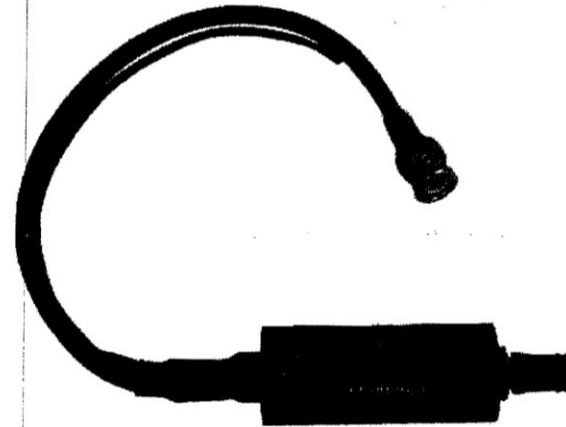
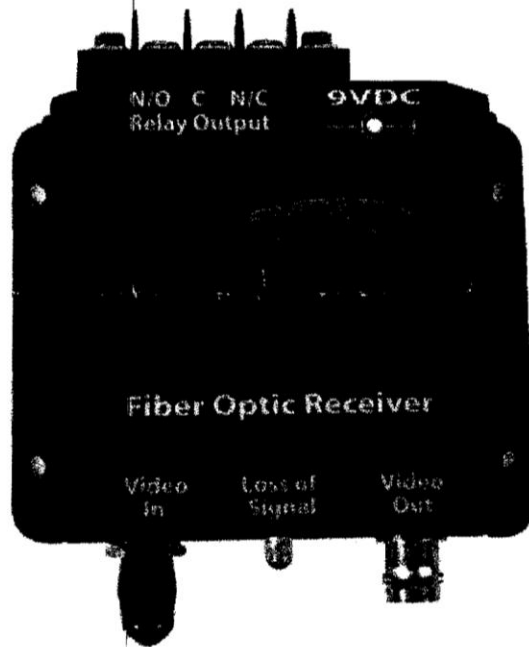


FIBER OPTIC VIDEO MULTIMODE LINK 850nm

The new Fiber Optic Video Link system is designed for transmitting high quality video over long distances of fiber optic cable. It's simple to install, and with built in automatic gain control no adjustments are required. The system consists of the Fiber Optic Transmitter, Receiver and two power supplies. The transmitter is compact and can connect easily to the output of your video source. The receiver has built in automatic gain control circuitry, which allow the unit to compensate for any losses along a transmission run, whether it's splices or variations or cable length. This low-cost, low-maintenance system is immune to the effects of EMI and voltage differentials.

Features:

- Low Cost
- 4Km Transmission Range
- Automatic Gain Control
- Easy to install & use
- 15dB Link Loss Budget



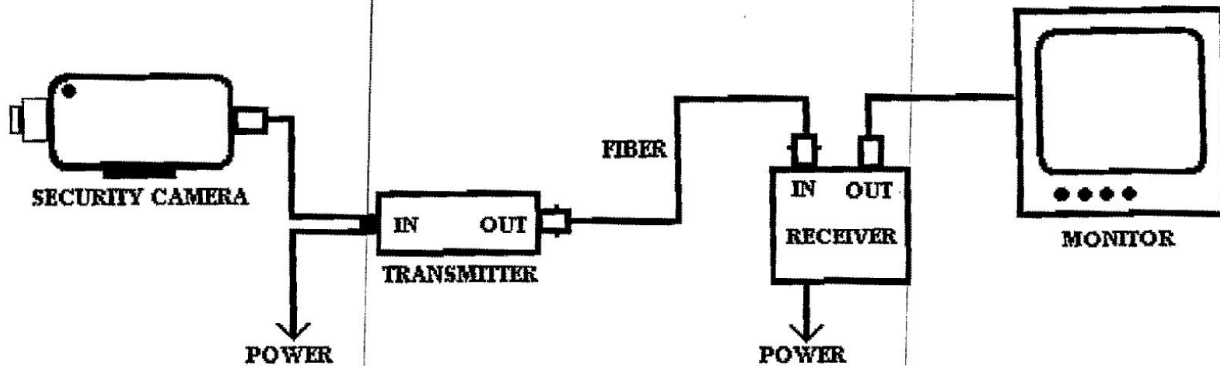
SPECIFICATIONS

System Bandwidth	10Hz - 10MHz
Input/Output Impedance	75 ohms
Nominal Voltage (Input/Output)	1Vpp
Operating Wavelength	850nm
Optical Connectors	ST
Signal Connectors	BNC
Link Loss Budget	15dB*
Signal to Noise Ratio	-65dB Minimum
Operating Temperature	0 to 50 C
Power Supply Requirements	110/220 VAC 50-60Hz
Input Voltage	9Vdc 500mA (center positive)
Dimensions TX	.86" dia., 2" L
Dimension RX	3.760" L x 3.1W x 1.066 H
Fiber Type	62.5/125um, 50/125um

*All specifications tested with 62.5/125um fiber



Installation Instructions



Fiber Optic Transmitter

- Wire the red and black wire coming from the input of the transmitter to a 9V DC 200mA supply. Be sure that the red wire goes to +9V DC, and that the black wire is going to ground.
- Connect the BNC cable from the input of the transmitter to the output of the camera being used.
- Connect a fiber optic cable with an ST connector to the output of the transmitter.
- This unit is self-contained, which means no adjustments are needed.

Fiber Optic Receiver

- Use the supplied 9V DC 200mA adapter and connect it to the power jack on the receiver.
- Connect a BNC cable from the receiver to the "Signal In" or Input of the monitor that you wish to view the signal with.
- Connect the fiber optic cable that is coming from a selected transmitter to the ST connector on the receiver.
- Our built-in LED indicator informs as to whether there is signal by shining green, or red if there is a loss of signal.
- A set of normally open relay contacts is included that can be used to notify of a loss of signal.
- No adjustments are needed for distance.