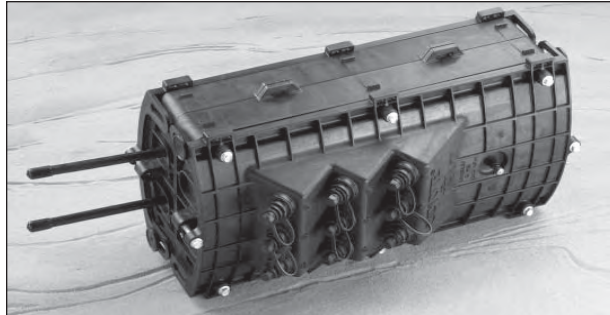


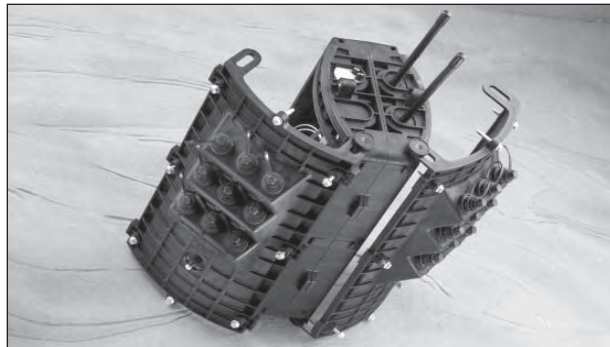


COYOTE® Terminal Closure (Dual Chamber)

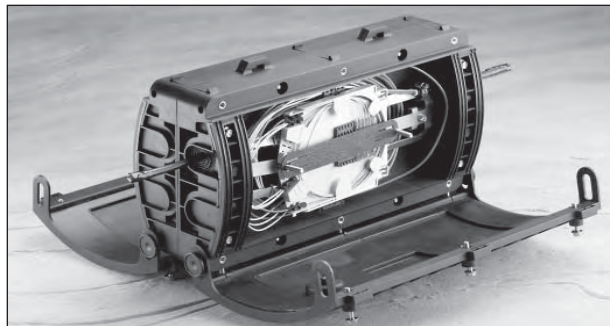
Evolution of the Breed Continues...



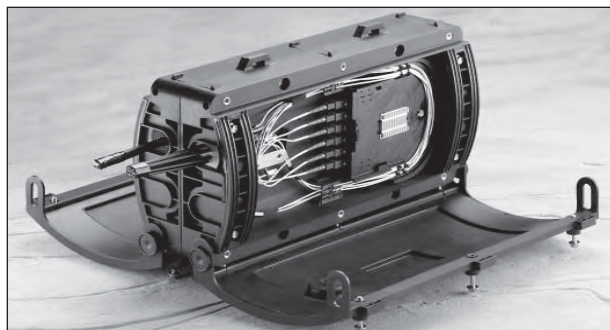
Terminal Closure (Dual Chamber) with hardened adaptors



Terminal Closure (Dual Chamber) with hardened adaptors installed in both covers



Splice Compartment – Terminal Closure (Dual Chamber) with Internal Bulkhead



Drop Cable Chamber – Terminal Closure (Dual Chamber) with Internal Bulkhead

The COYOTE Terminal Closure (Dual Chamber) is the choice for network designs requiring ultimate flexibility. The unique dual chamber design provides two distinct chambers that can be configured differently to support externally mounted OptiTap™ style hardened adaptors, internally mounted cross-connect bulkhead connections or a combination of both. A window designed within the closure interior allows fibers to be passed between chambers. High drop capacity from each of the eight cable ports and the ability to use standard or hardened adapter covers, provides infinite options to support your network design.

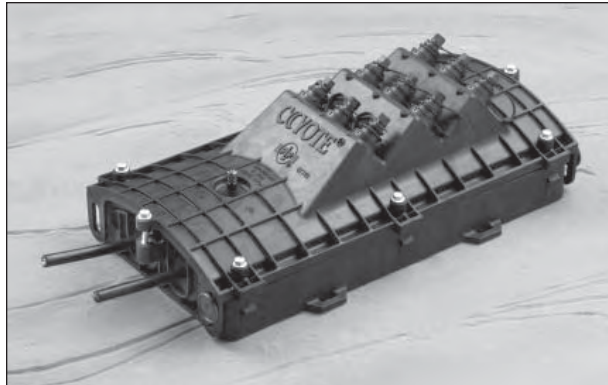


- Compact Size: 17.5" L x 10" W x 7" H (44 cm x 25 cm x 18 cm)
- Accepts up to 24 hardened adaptors
- Eight Entry ports each accept 1¼" maximum cable diameter
- High drop capacity – 8 through each port
- Available in hermetically sealed, free breathing and express configurations
- Quick and easy assembly – no special tools required
- Simple to use grommet sealing system
- Provided standard with SC/APC pigtails
- Capability to field install or remove hardened adapter assemblies
- Internal organizer manages buffer tube or ribbon cable
- Integrated air valve provides field flash test point
- Full line of hardware available for strand, pole and hand-hole installations
- Tested in accordance to Telcordia GR-771 CORE



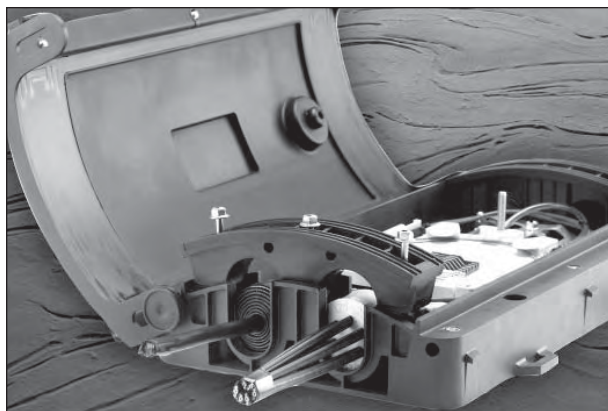
COYOTE® Terminal Closure (Single Chamber)

Evolution of the Breed Continues...



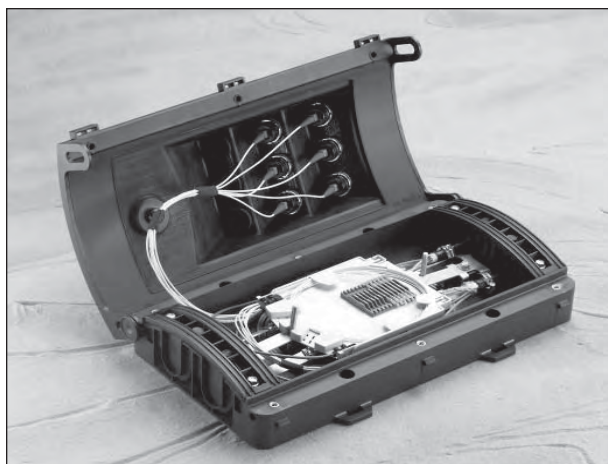
Outside View – Terminal Closure (Single Chamber)

The COYOTE Terminal Closure (Single Chamber) is the ideal choice for network designs requiring hardened adapter termination. Externally mounted OptiTap* style hardened adapters allow for future installation of up to 12 hardened drops without closure reentry. Compact size allows the closure to be installed into pedestals and small hand holes. Additional drop capacity through the four entry ports of the closure base, provide added flexibility for the closure to act as a distribution point for closures deeper in your network.



End Plate with Distribution Cable and 6-port Drop Cable Grommet

- Compact Size: 17.5" L x 10" W x 4.75" H (44 cm x 25 cm x 18 cm)
- Accepts up to 12 hardened adapters
- Four Entry ports each accept 1¼" maximum cable diameter
- High drop capacity – 8 through each port
- Available in hermetically sealed, free breathing and express configurations
- Quick and easy assembly – no special tools required
- Simple to use grommet sealing system
- Provided standard with SC/APC pigtails
- Port identification numbers to simplify assembly
- Capability to field install or remove hardened adapter assemblies
- Internal organizer manages buffer tube or ribbon cable
- Integrated air valve provides field flash test point
- Full line of hardware available for strand, pedestal, pole and hand-hole installations
- Tested in accordance to Telcordia GR-771 CORE



Inside View – Terminal Closure (Single Chamber)



Drop wire with mating connectors for terminal are available in various lengths. Contact your local PLP representative or customer service for more details.

*OptiTap™ is a trademark of Corning Cable Systems

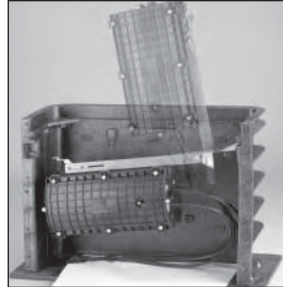


COYOTE® Terminal Closure

Evolution of the Breed Continues...



Installation of Hardened Connectors



COYOTE Terminal Closure – Hand Hole Application



COYOTE Terminal Closure – Pedestal Application

COYOTE Terminal Closure Kits				
Catalog Number	Connection Type	Chamber	Adapter Quantity	Description
800012002	Hardened Adapters	Single	2	COYOTE Terminal Closure with (2) Hardened Adapters includes (2) SC/APC Pigtails and (1) 12-count splice tray kit (80807701)
8006993	Hardened Adapters	Single	3	COYOTE Terminal Closure with (3) Hardened Adapters includes (3) SC/APC Pigtails and (1) 12-count splice tray kit (80807701)
8006953	Hardened Adapters	Single	4	COYOTE Terminal Closure with (4) Hardened Adapters includes (4) SC/APC Pigtails and (1) 12-count splice tray kit (80807701)
8006954	Hardened Adapters	Single	6	COYOTE Terminal Closure with (6) Hardened Adapters includes (6) SC/APC Pigtails and (1) 12-count splice tray kit (80807701)
8006955	Hardened Adapters	Single	8	COYOTE Terminal Closure with (8) Hardened Adapters includes (8) SC/APC Pigtails and (1) 12-count splice tray kit (80807701)
800012003	Hardened Adapters	Single	9	COYOTE Terminal Closure with (9) Hardened Adapters includes (9) SC/APC Pigtails and (1) 12-count splice tray kit (80807701)
80061024	Hardened Adapters	Single	12	COYOTE Terminal Closure with (12) Hardened Adapters includes (12) SC/APC Pigtails and (1) 12-count splice tray kit (80807701)
8006956	Internal Bulkhead	Dual	6	COYOTE Terminal Closure Dual Chamber Standard, Hermetically Sealed, includes (6) SC/APC Pigtails, Bulkhead with (6) SC/APC Feed-Thru Adapters and (1) 12-Count Splice Tray Kit (80807701)
8006957	Internal Bulkhead	Dual	6	COYOTE Terminal Closure Dual Chamber Closure Free-Breathing, Hermetically Sealed, includes Six (6) SC/APC Pigtails, Bulkhead with Six (6) SC/APC Feed-Thru Adapters and One (1) 12-Count Splice Tray Kit (80807701)
8006991	Hardened Adapters	Dual	8	COYOTE Terminal Closure Dual Chamber, Hermetically Sealed with (8) Hardened Adapter Ports, includes (8) SC/APC Pigtails, and (1) 12-Count Splice Tray Kit (80807701)
800011830	Hardened Adapters	Dual	12	COYOTE Terminal Closure Dual Chamber, Hermetically Sealed with (12) Hardened Adapter Ports, includes (12) SC/APC Pigtails, and One (1) 12-Count Splice Tray Kit (80807701)
800011839	Empty	Dual	0	COYOTE Terminal Closure Dual Chamber, Hermetically Sealed empty with capacity for (8) splice trays, (1) Splice Tray (80807701) is Included
800061005	Internal Bulkhead	Dual	6	COYOTE Terminal Closure Dual Chamber Express; includes (6) SC/APC Pigtails, Bulkhead with (6) SC/APC Feed-Thru Adapters and (1) 12-Count Splice Tray Kit (80807701)

*All closures are provided with (2) 8003701, Grommet Kits 2- port cable diameter range 0.42" -0.85". If other grommets are required please see grommet chart in this section

COYOTE® Terminal Closure

COYOTE In-line RUNT & Terminal Closure Accessories				
Catalog Number	Description	In-line Runt	Terminal	
			Single Chamber	Dual Chamber
Splice Tray Kits				
80807701	12 Count Low Profile Tray w/plastic splice block - single fusion splices	X	X	X
80806033	12 Count Standard Tray w/elastomeric splice block - fusion & mechanical splices	X	X	X
80807114	72 Count Ribbon Tray w/elastomeric splice block for mass fusion	X	X	X
Cover Kits				
8003719	COYOTE In-Line Runt Cover Kit*	X	X	X
8003742	COYOTE Terminal Closure Cover Kit 2-Port with Hardened Adapters	X	X	X
8003739	COYOTE Terminal Closure Cover Kit 3-Port with Hardened Adapters	X	X	X
8003720	COYOTE Terminal Closure Cover Kit 4-Port with Hardened Adapters	X	X	X
8003721	COYOTE Terminal Closure Cover Kit 6-Port with Hardened Adapters	X	X	X
8003722	COYOTE Terminal Closure Cover Kit 8-Port with Hardened Adapters	X	X	X
8003735	COYOTE Terminal Closure Cover Kit 9-Port with Hardened Adapters	X	X	X
8003738	COYOTE Terminal Closure Cover Kit 12-Port with Hardened Adapters	X	X	X
Adapter Accessory Kits				
8003715*	Hardened Adapter Kit- Field installable		X	
8003724*	Port Plug Kit-Field Installable		X	
80808157	Fiber Optic Pigtail Kit (2-Pigtails)		X	X
80807939	Fiber Optic Pigtail Kit (3-Pigtails)		X	X
80807806	Fiber Optic Pigtail Kit (4-Pigtails)		X	X
80807807	Fiber Optic Pigtail Kit (6-Pigtails)		X	X
80807808	Fiber Optic Pigtail Kit (8-Pigtails)		X	X
80808158	Fiber Optic Pigtail Kit (9-Pigtails)		X	X
Miscellaneous Accessory Kits				
8003733	End Plate Kit	X	X	X
80807794	Hardware bag	X	X	X
80807972	Adapter Spanner Nut Tool		X	
80805293	Transport Tube Kit .135" ID: includes six 34" long transPort with Hardened Adapters tubes, used to bring fiber from transition compartment to splice tray	X	X	X
80806439	Transport Tube Kit .25" ID: includes six 34" long transPort with Hardened Adapters tubes, used to bring fiber from transition compartment to splice tray	X	X	X
80807989	Transport Tube 100' coil 0.135" ID	X	X	X
80807991	Transport Tube 100' coil 0.25" ID	X	X	X
Mounting Hardware Kits				
8003713	Express Bracket Kit	X	X	X
8003703	Pole/Wall mount bracket kit for Inline RUNT and Terminal (Standard and Dual Chamber)	X	X	X
8003704	Aerial Hanging Bracket Kit for COYOTE In-Line RUNT and Terminal Closure	X	X	
8003705	Aerial Hanging Bracket Kit for COYOTE Terminal Dual Chamber			X
8003706	Swing Arm Bracket for COYOTE In-line RUNT and Terminal Closures	X	X	X
8003714	Pedestal Mounting Bracket for COYOTE In-Line RUNT and Terminal Closure (Emerson PRO12 Pedestal)	X	X	

*Hardened Adapter Kit or Plug kit can only be used with terminal closure covers