

Pretium® Wall-Mountable Housings (PWH)

A LANscape® Pretium® Solutions Product

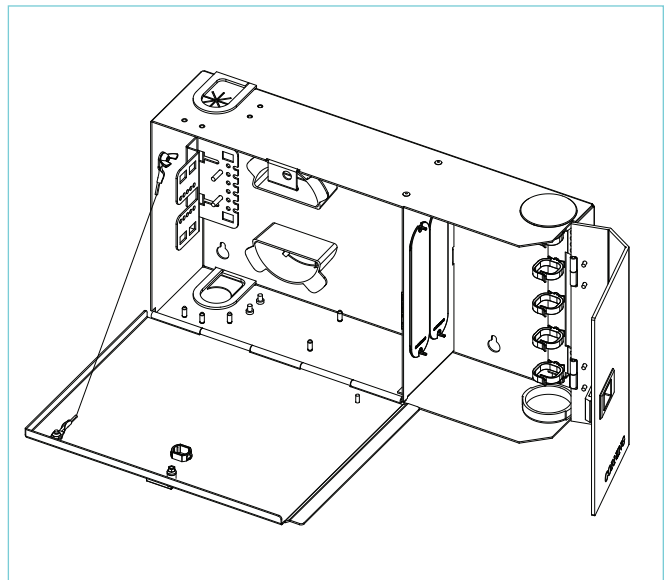
features and benefits |

Rugged metal construction	Durability
Drop-down front door	Allows for temporary work shelf
Jumper routing guides	Easy fiber management
Interconnect and cross-connect capabilities	Variety of applications
Field-installable lock kit (optional)	Additional security
Splice tray holder (optional)	Easier field splicing

Corning Cable Systems Pretium® Wall-Mountable Housings (PWH) provide interconnect or cross-connect capabilities between the outside plant, riser, or distribution cables and the opto-electronics and are designed to hold Plug & Play™ Universal Systems modules. Available in two, four, six and 12 panels, the rugged metal housings can be wall-mounted in main cross-connects or telecommunication rooms. Units accept standard CCH connector panels and modules and include jumper routing guides and a bracket for securing buffer tube fan-out kits. The optional cable strain-relief kit (PWH-STRNRLF-KIT) is designed for easier installation and the standoff bracket (PWH-STDOFF-BKT) extends the PWH from the wall to allow cable routing behind the housing. Brackets can also be stacked to increase the amount of space for routing. An optional field-installable lock kit is available for additional security.



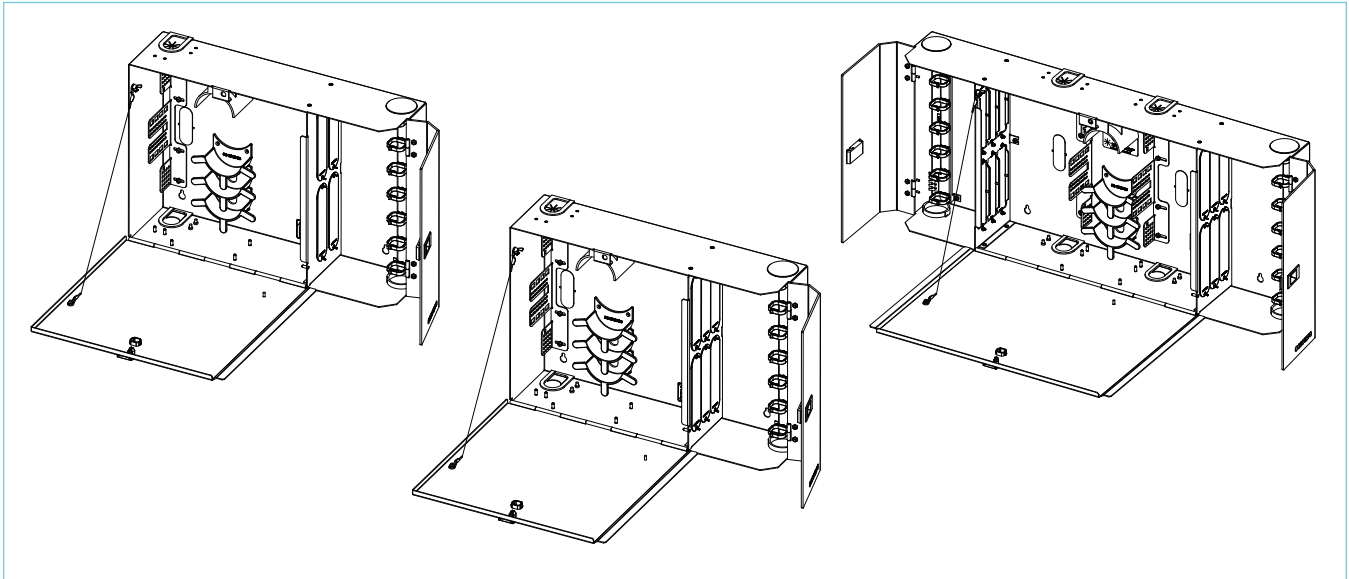
Pretium Wall-Mountable Housing (PWH)
| Photo LAN763



PWH-02P (accepts up to 2 CCH panels)
| Drawing ZA-3078

Pretium® Wall-Mountable Housings (PWH)

A LANscape® Pretium®
Solutions Product



PWH-04P (accepts up to 4 CCH panels), PWH-06P (accepts up to 6 CCH panels) and PWH-12P (accepts up to 12 CCH panels) (shown left to right) | Drawing ZA-3453

specifications |

	Dimensions* (H x W x D) cm (in)	Shipping Weight kg (lb)
PWH-02P	23.9 x 44.5 x 10.2 (9.4 x 17.5 x 4.0)	5.0 (11)
PWH-04P	36.6 x 53.3 x 13.5 (14.4 x 21.0 x 5.3)	10.4 (23)
PWH-06P	36.6 x 53.3 x 13.5 (14.4 x 21.0 x 5.3)	10.4 (23)
PWH-12P	36.6 x 82.6 x 13.5 (14.4 x 32.5 x 5.3)	10.9 (24)

*Doors in closed position.

Pretium® Wall-Mountable Housings (PWH)

A LANscape® Pretium®
Solutions Product

ordering information |

Part Number	Description
PWH-02P	Pretium® Wall-Mountable Connector Housing that will accept up to 2 CCH panels or modules
PWH-04P	Pretium Wall-Mountable Connector Housing that will accept up to 4 CCH panels or modules
PWH-06P	Pretium Wall-Mountable Connector Housing that will accept up to 6 CCH panels or modules
PWH-12P	Pretium Wall-Mountable Connector Housing that will accept up to 12 CCH panels or modules
Accessories	
PWH-STDOFF-BKT	Wall-Mountable Connector Housing Wall Stand-off Brackets for -04P, -06P and -12P; brackets provide a 1 in spacing from wall
PWH-STDOFF-BKT-02P	Wall-Mountable Connector Housing Wall Stand-off Brackets for -02P; brackets provide a 1 in spacing from wall
PWH-STRNRLF-KIT	Optional External Cable Strain-Relief Kit that utilizes Corning Cable Systems Universal Cable Clamp; includes bracket, mounting hardware, 1 strain-relief clamp and 1 multi-cable insert that will hold up to 5 cables less than 0.4 inches in diameter
HDWR-LOCK-KIT	Lock Kit for front door of housing; contains 1 lock with 2 keys
PWH-RJSR	Strain-Relief Bracket for PWH; holds up to 3 size 0 plugs (Plug & Play™ Universal Systems trunks)
Optional Splice Tray Holders	
PWH-SPLC-04-12P	Splice Tray Holder for PWH-04P, PWH-06P and PWH-12P; accommodates (8) 0.2-in-thick (Type 2R) or (4) 0.4-in-thick (Type 4R) reduced-length splice trays*
PWH-SPLC-02P	Splice Tray Holder for PWH-02P; accommodates (2) 0.2-in-thick (Type 2R) or (1) 0.4-in-thick (Type 4R) reduced-length splice trays*
Slack Storage	
PWH-SSH-02-06P	Wall-Mountable Slack Storage Housing for PWH-02P, PWH-04P, and PWH-06P; accommodates (4) 0.2-in-thick (Type 2R) (2) or 0.4-in-thick (Type 4R) reduced-length splice trays*
PWH-SSH-12P	Wall-Mountable Slack Storage Housing for PWH-12P; accommodates (8) 0.2-in-thick (Type 2R and 2S) or (4) 0.4-in-thick (Type 4R and Type 4S) standard or reduced-length splice trays or (4) UST splice trays*

* Splice trays and connector panels must be ordered separately.

