

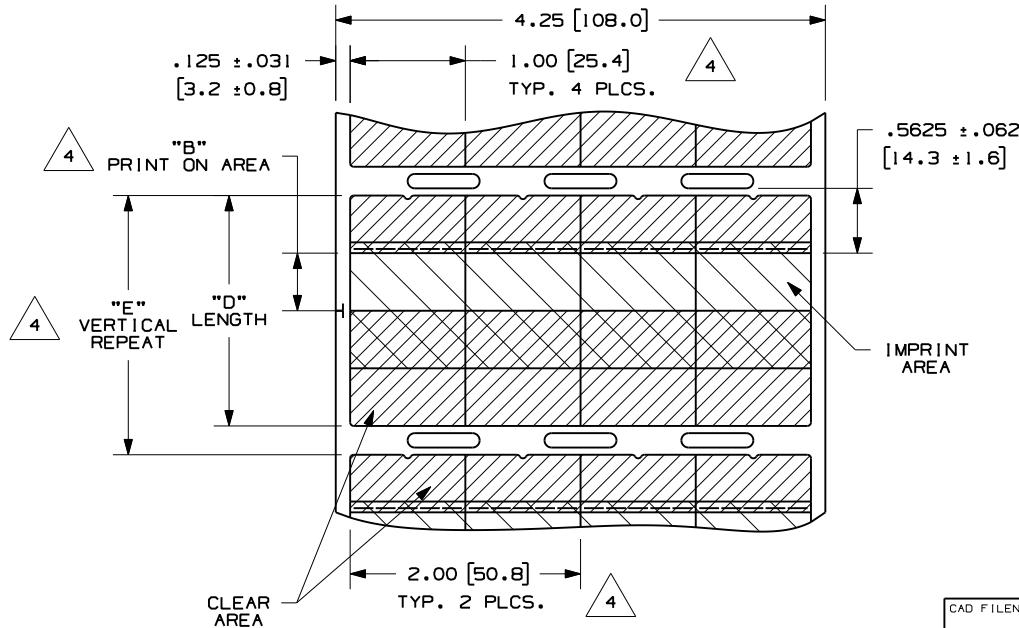
THIS COPY IS PROVIDED ON A RESTRICTED BASIS AND IS NOT TO BE USED IN ANY WAY DETRIMENTAL TO THE INTERESTS OF PANDUIT CORP.

PART NUMBER	APPLICATION DIAMETER RANGE	MATERIAL	"B" +/- .062 PRINT ON AREA	"D" +/- .062 LENGTH	"E" VERTICAL REPEAT	LABELS PER ROW	STANDARD PKG. QTY.
R100X075VIT	.120"-.160"	GMH6	.25 (6.4)	1.25 (31.8)	1.50 (38.1)	4	2500
R100X125VIT	.160"-.220"	GMH6	.38 (9.5)	1.75 (44.5)	2.00 (50.8)	4	2500
R100X150VIT	.220"-.280"	GMH6	.50 (12.7)	2.00 (50.8)	2.25 (57.2)	4	2500
R100X225VIT	.280"-.390"	GMH6	.75 (19.1)	2.75 (69.9)	3.00 (76.2)	4	2500
R100X400VIT	.390"-.950"	GMH6	1.00 (25.4)	4.50 (114.3)	4.75 (120.7)	4	1000
R200X150VIT	.220"-.280"	GMH6	.50 (12.7)	2.00 (50.8)	2.25 (57.2)	2	1000
R200X225VIT	.280"-.390"	GMH6	.75 (19.1)	2.75 (69.9)	3.00 (76.2)	2	1000
R200X400VIT	.390"-.950"	GMH6	1.00 (25.4)	4.50 (114.3)	4.75 (120.7)	2	1000

\*

COLOR OPTION	
PART NUMBER	COLOR
R100X150VIT	WHITE
R100X150V2T	T1A BLUE
R100X150V3T	T1A GREEN
R100X150V7T	T1A RED
R100X150V8T	T1A YELLOW
R100X225VIT	WHITE
R100X225V2T	T1A BLUE
R100X225V3T	T1A GREEN
R100X225V7T	T1A RED
R100X225V8T	T1A YELLOW

SEE • COLOR OPTION



NOTES:

1. MILLIMETERS ARE IN ( ).
2. SEE B20392 FOR INSTALLATION INSTRUCTIONS.

CAD FILENAME/LAYERS 100147BD-DC-C10784/08E

PANDUIT CORP. TINLEY PARK, ILLINOIS

CUSTOMER DRAWING  
TURN TELL ROTATABLE  
SELF-LAMINATING LABEL, R\*\*\*X\*\*\*V\*T

UNLESS OTHERWISE SPECIFIED,  
DIMENSIONAL TOLERANCES ARE:  
(.X) ± .12 (.XXX) ± .025  
(.XX) ± .062 ANGLES ±

UNLESS OTHERWISE SPECIFIED,  
ALL DIMENSIONS ARE GIVEN  
IN INCHES, THIRD ANGLE PROJECTION.

DRAWN BY  
RVU

MAT'L:

SCALE  
NTS

DATE  
9/1/09

SEE TABLE

DRAWING NO.

C10784

CHK

DWG  
A  
SIZE

REV	DATE	BY	CHK	DESCRIPTION	ECN	R	CUST	SUP
4	3/1/11	RVU		UPDATE DRAWING INTO DATABASE. .220"-.280" was .180"-.280". "B" WAS "A". "E" WAS "F".	6322		R	
3	12/27/10	RVU		ADD NEW PN: R200X150VIT.	6268		R	
2	4/20/10	RVU		ADD COLOR OPTION TABLE.	6025		R	
1	9/24/09	RVU		DRAWING RELEASE.	5845		R	
0	9/10/09	RVU		VOID				