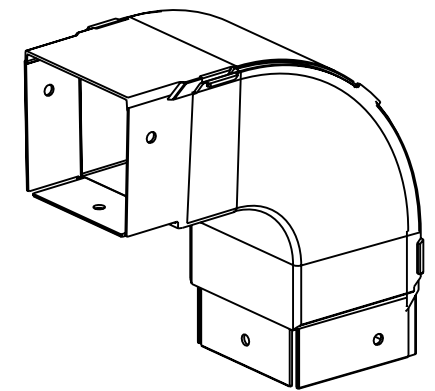
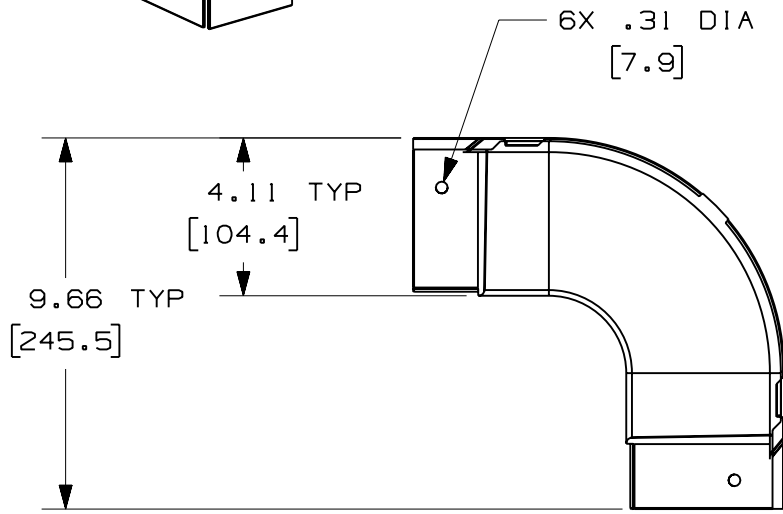
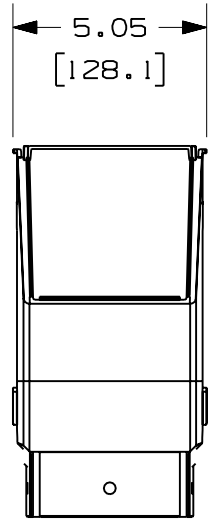


PANDUIT PART NUMBER	WEIGHT
FOVRA4X4	0.93 LB/EACH (422g/EACH)



J NOTES:

1. SEE CURRENT CATALOG FOR ADDITIONAL PART SUFFIXES TO INDICATE COLOR AND/OR PACKAGE QUANTITY.
2. THE FIBER-DUCT 4x4 OUTSIDE VERTICAL RIGHT ANGLE FITTING IS DESIGNED WITH A MINIMUM 2" (50.8) BEND RADIUS TO PROTECT FIBER OPTIC CABLES.
3. DIMENSIONS IN PARENTHESES ARE IN METRIC.



ENG. REF.: D35245CG_DC_FOVRA4X4_03.prt

CAD FILENAME/LAYERS: FOVRA4X4.pdf

REV	DATE	BY	CHK	DESCRIPTION	ECN	R	CUST	SUP	GMBH
-	-----	---	---	J. REVISED GENERAL NOTES. I. REVISED PART WEIGHT.	-----	--	--		
-	-----	---	---	H. REVISED MATERIAL. G. REVISED DRAWING TITLE.	-----	--	--		
3	12-15-06	MSO	RN	F. REVISED CAD FILENAME. E. REVISED AND REDRAWN.	35245-33	RN	RN		

PANDUIT CORP. TINLEY PARK, ILLINOIS

FIBER-DUCT 4x4 OUTSIDE VERTICAL RIGHT ANGLE FITTING (FOVRA4X4)
CUSTOMER DRAWING

UNLESS OTHERWISE SPECIFIED, DIMENSIONAL TOLERANCES ARE:
 (.X) ± (.XXX) ±
 (.XX) ± .03 (.8) ANGLES ±

UNLESS OTHERWISE SPECIFIED, ALL DIMENSIONS ARE GIVEN IN INCHES, THIRD ANGLE PROJECTION.

SCALE: NONE

DRAWING NO.: 35245-33

DWG SIZE: A

DRAWN BY: RCA
DATE: 5-16-97
MATERIAL: ABS