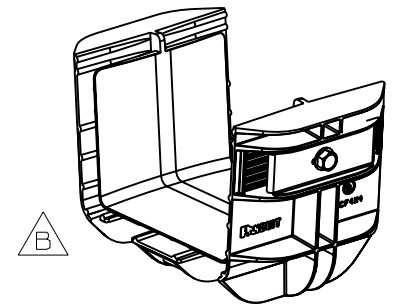
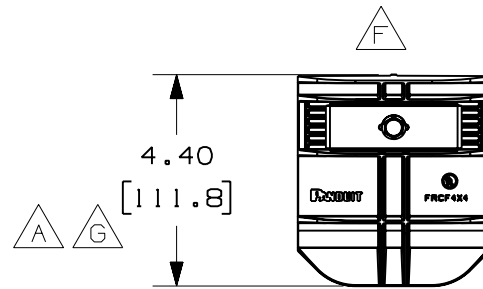
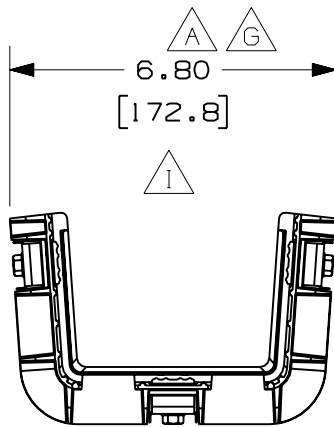
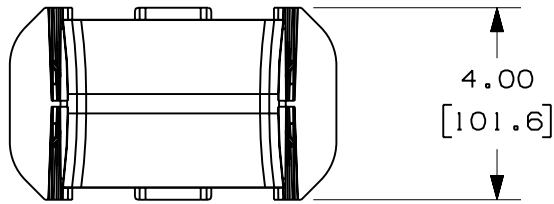


THIS COPY IS PROVIDED ON A RESTRICTED BASIS AND IS NOT TO BE USED IN ANY WAY DETRIMENTAL TO THE INTERESTS OF PANDUIT CORP.



PANDUIT PART NUMBER	WEIGHT
FRBC4X4	0.71 LB/EACH (322g/EACH)



NOTES:

1. SEE CURRENT CATALOG FOR ADDITIONAL PART SUFFIXES TO INDICATE COLOR AND/OR PACKAGE QUANTITY.
2. DIMENSIONS IN PARENTHESES ARE IN METRIC.

ENG. REF.: D37847CT_DC_FRBC4X4_03.prt

CAD FILENAME/LAYERS

FRBC4X4.pdf

PANDUIT CORP TINLEY PARK, ILLINOIS
FIBERRUNNER 4x4 QUIKLOCK COUPLER (FRBC4X4)
 CUSTOMER DRAWING

UNLESS OTHERWISE SPECIFIED, DIMENSIONAL TOLERANCES ARE:

(.X) ± (.XXX) ±
 (.XX) ± .03 (.8) ANGLES ±

UNLESS OTHERWISE SPECIFIED, ALL DIMENSIONS ARE GIVEN IN INCHES, THIRD ANGLE PROJECTION.

DRAWN BY: JHNU
 DATE: 7-13-01
 CHK'D: DJWA

MAT'L: ABS AND STEEL

SCALE: NONE
 DRAWING NO.: 37847-50
 DWG SIZE: A

REV	DATE	BY	CHK	DESCRIPTION	ECN	R	CUST	SUP	GMBH
-	-----	---	---	I. REMOVED DIMENSION H. REVISED MATERIAL	-----	--	--		
-	-----	---	---	G. RELOCATED DIMENSIONS F. ADDED RIGHT SIDE VIEW	-----	--	--		
3	7-10-06	DTP	RN	E. REVISED PART WEIGHT D. REVISED CAD FILENAME	37847-50	RN	RN		
2	1-9-04	JHNU	DJWA	C. REVISED WEIGHT B. REVISED PART GEOMETRY	37847-50	RN	RN		
1	10-1-01	JHNU	DJWA	A. REVISED PART GEOMETRY	37847-50	HIW	HIW		
R	7-13-01	JHNU	DJWA	RELEASED TO PRODUCTION	37847-50	HIW	HIW		