

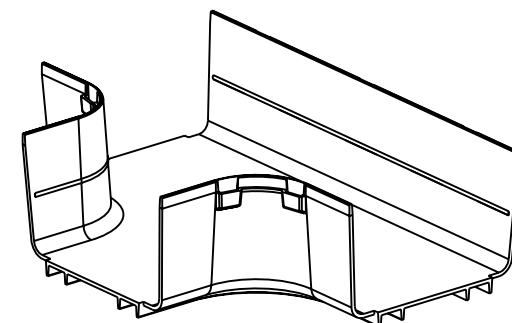
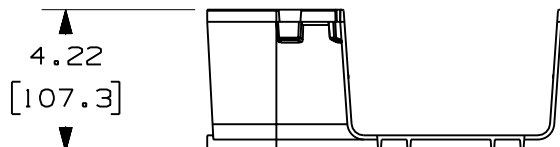
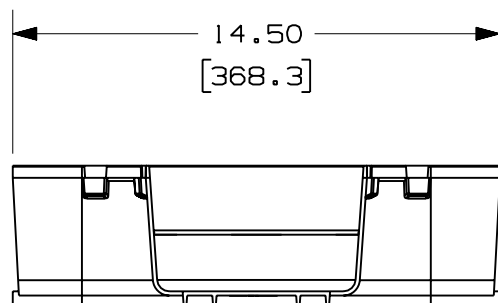
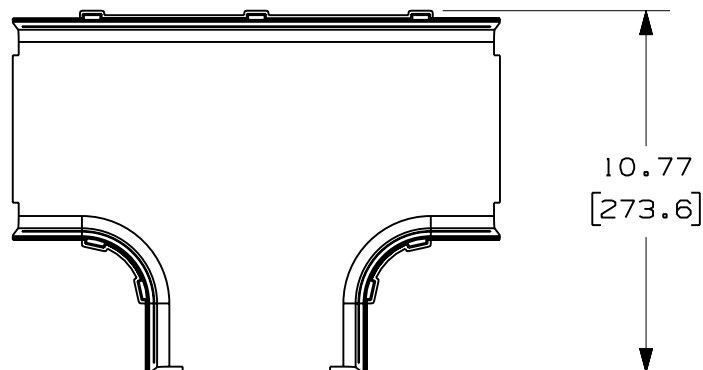


PANDUIT PART NUMBER	WEIGHT
FRT6X4	1.22 LB/EACH (553g/EACH)



NOTES:

1. SEE CURRENT CATALOG FOR ADDITIONAL PART SUFFIXES TO INDICATE COLOR AND/OR PACKAGE QUANTITY.
2. THE FIBERRUNNER 6x4 HORIZONTAL TEE FITTING IS DESIGNED WITH A MINIMUM 2" (50.8) BEND RADIUS TO PROTECT FIBER OPTIC CABLES.
3. DIMENSIONS IN PARENTHESES ARE IN METRIC.



ENG. REF.: D37185DW_DC_FRT6X4_01.prt

CAD FILENAME/LAYERS

FRT6x4.pdf

PANDUIT CORP TINLEY PARK, ILLINOIS
FIBERRUNNER 6x4 HORIZONTAL TEE FITTING (FRT6X4)
 CUSTOMER DRAWING

UNLESS OTHERWISE SPECIFIED,
 DIMENSIONAL TOLERANCES ARE:
 (.X) ± (.XXX) ±
 (.XX) ± .03 (.8) ANGLES ±

UNLESS OTHERWISE SPECIFIED,
 ALL DIMENSIONS ARE GIVEN IN
 INCHES, THIRD ANGLE PROJECTION.

REV	DATE	BY	CHK	DESCRIPTION	ECN	R	CUST	SUP	GMBH
-	-----	---	---	H. REVISED GENERAL NOTES G. REVISED PART WEIGHT	-----	--	--		
3	7-14-06	DTP	RN	F. REVISED CAD FILENAME E. REVISED AND REDRAWN	37185-84	RN	RN		

DRAWN BY JHNU
DATE 5-11-00
CHK'D SMF

MAT'L:
ABS

SCALE NONE
DRAWING NO. 37185-84
DWG A SIZE