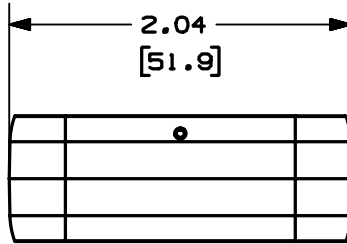


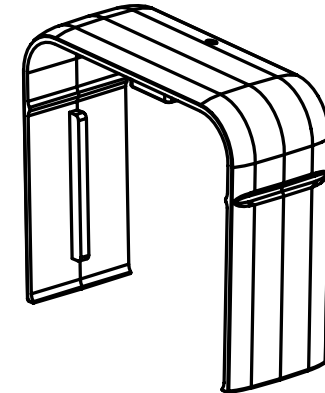
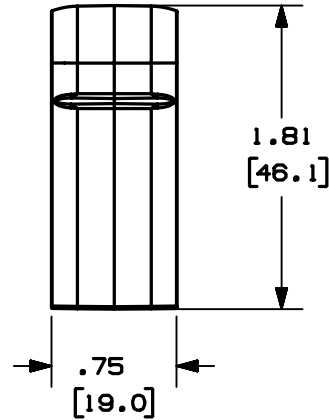
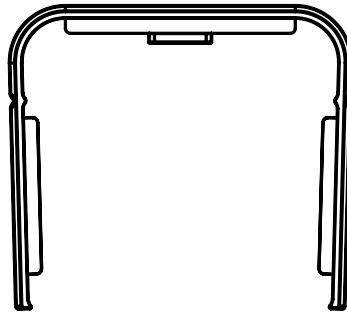
THIS COPY IS PROVIDED ON A RESTRICTED BASIS AND IS NOT TO BE USED IN ANY WAY DETRIMENTAL TO THE INTERESTS OF PANDUIT CORP.



PANDUIT PART NO.	WEIGHT
OFR20CC	.18 lbs / EACH (8.2 g / EACH)

NOTES:

- SEE CURRENT CATALOG FOR ADDITIONAL PART NUMBER SUFFIXES TO INDICATE COLOR AND/OR PACKAGE QUANTITY.
- DIMENSIONS IN PARENTHESES ARE IN METRIC.



CAD FILENAME/LAYERS D38501BG_DC_OFR20CC_02B.PRT

PANDUIT CORP. TINLEY PARK, ILLINOIS
OFFICE FURNITURE COVER
COUPLER FITTING (OFR20CC)
CUSTOMER DRAWING

UNLESS OTHERWISE SPECIFIED,
DIMENSIONAL TOLERANCES ARE:
(.X) ± (.XXX) ±
(.XX) ± .03 (.8) ANGLES ±

UNLESS OTHERWISE SPECIFIED,
ALL DIMENSIONS ARE GIVEN
IN INCHES, THIRD ANGLE PROJECTION.

REV	DATE	BY	CHK	DESCRIPTION	ECN	CHK	CUST	SUP	DRAWN BY	MAT'L:	SCALE	DRAWING NO.	DWG SIZE
I	04-28-03	JBN	CVV	RELEASED TO PRODUCTION	38501-02	RGRO	RGRO		JBN		NONE		
R	03-25-03	JBN	CVV	DRAWING RELEASED					DATE 03-25-03	PVC		38501-02	A
									CHK'D CVV				