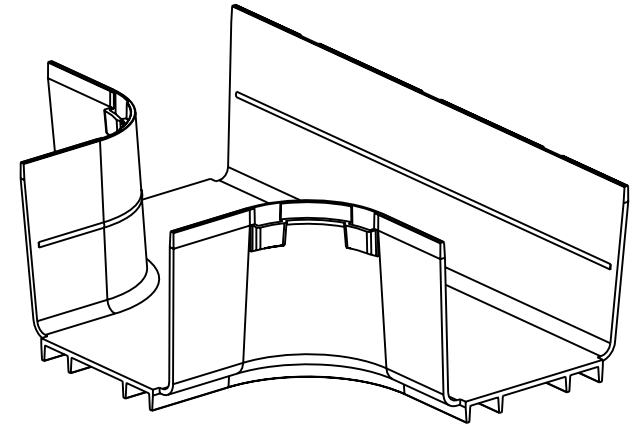
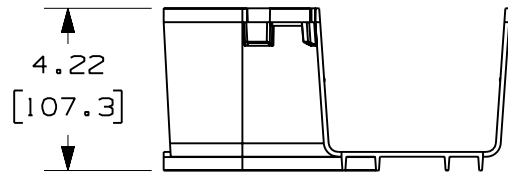
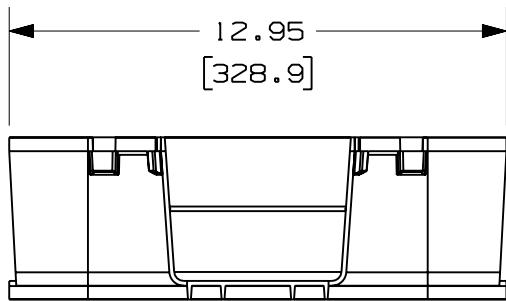


**NOTES:**

1. SEE CURRENT CATALOG FOR ADDITIONAL PART SUFFIXES TO INDICATE COLOR AND/OR PACKAGE QUANTITY.
2. THE FIBERRUNNER 4x4 HORIZONTAL TEE FITTING IS DESIGNED WITH A MINIMUM 2" (50.8) BEND RADIUS TO PROTECT FIBER OPTIC CABLES.
3. DIMENSIONS IN PARENTHESES ARE IN METRIC.

PANDUIT PART NUMBER	WEIGHT
FRT4X4	1.06 LB/EACH (483g/EACH)



ENG. REF.: D37847B1\_DC\_FRT4X4\_01.prt

CAD FILENAME/LAYERS

B FRT4X4.pdf

**PANDUIT** CORP TINLEY PARK, ILLINOIS  
**FIBERRUNNER 4x4 HORIZONTAL TEE FITTING (FRT4X4)**  
 CUSTOMER DRAWING

UNLESS OTHERWISE SPECIFIED, DIMENSIONAL TOLERANCES ARE:

(.X) ± (.XXX) ±  
 (.XX) ± .03 (.8) ANGLES ±

UNLESS OTHERWISE SPECIFIED, ALL DIMENSIONS ARE GIVEN IN INCHES, THIRD ANGLE PROJECTION.

DRAWN BY: JHNU  
 DATE: 7-13-01  
 CHK'D: RPA

MAT'L:

ABS

SCALE: NONE

DRAWING NO.: 37847-52

DWG SIZE: A

REV	DATE	BY	CHK	DESCRIPTION	ECN	R	CUST	SUP	GMBH
-	-----	---	---	D. REVISED GENERAL NOTES C. REVISED PART WEIGHT	-----	--	--		
1	7-14-06	DTP	RN	B. REVISED CAD FILENAME A. REVISED AND REDRAWN	37847-52	RN	RN		