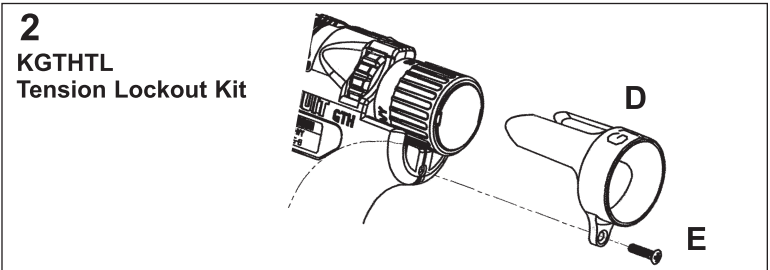
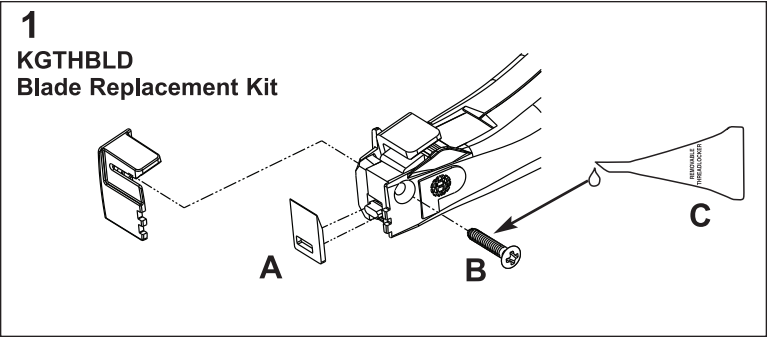


REPLACEMENT KIT INSTALLATION INSTRUCTIONS FOR: GTH

© Panduit Corp. 2011

**ENGLISH**

1. KGTHBLD – Blade Replacement Kit:

- A: Blade
- B: Screw
- C: Removable Threadlocker

2. KGTHTL – Tension Lockout Kit

- D: Lockout
- E: Screw

Replacement Parts (Sold Separately)

- WH24287C01 – Replacement Blade Guard Housing
- WH25092A01 – Extended Blade Guard

PANDUIT

For Technical Support:
Panduit Corp., USA, Tinley Park, IL
888-506-5400, ext. 3255

Website: www.panduit.com
Email: techsupport@panduit.com

Panduit Europe, EMEA Service Center, Almelo, Netherlands
Tel.: +31 546-580-452 • Fax.: +31 546-580-441

EU Website: www.panduit.com/emea
EU E-mail: emeatoolservicecenter@panduit.com