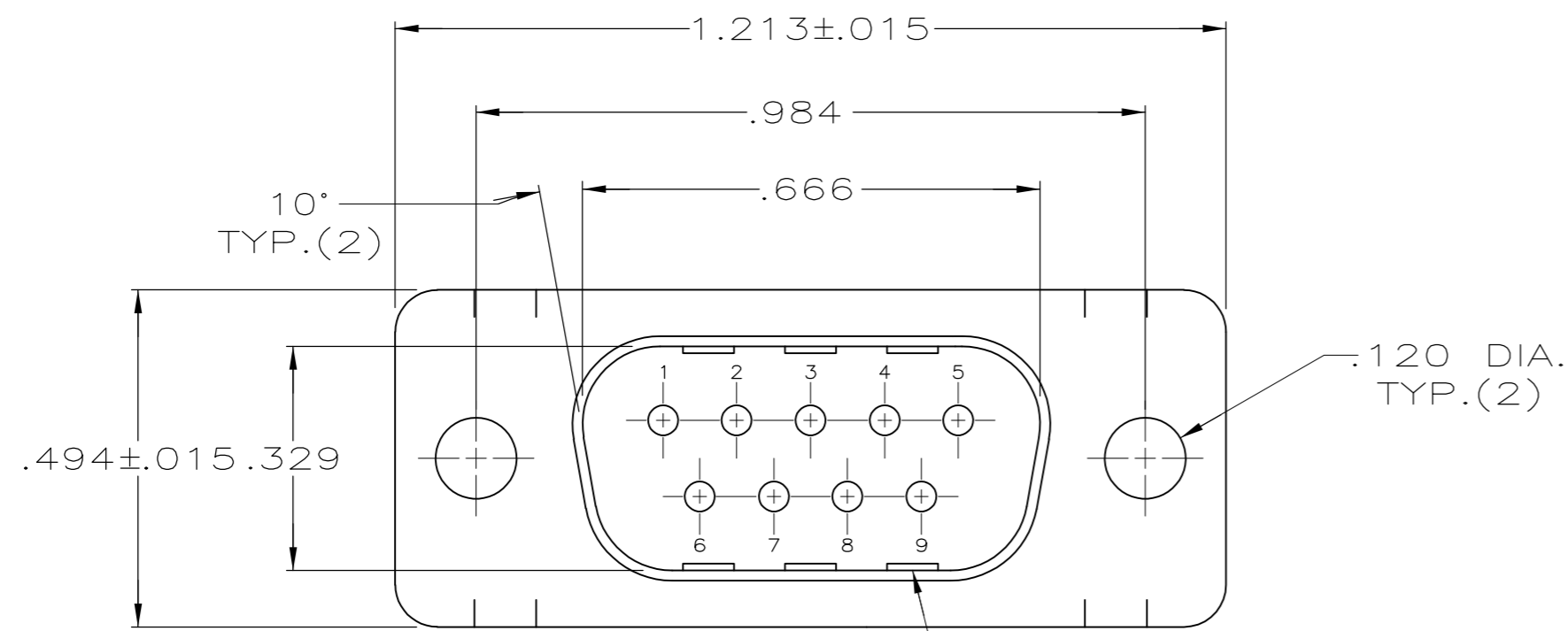
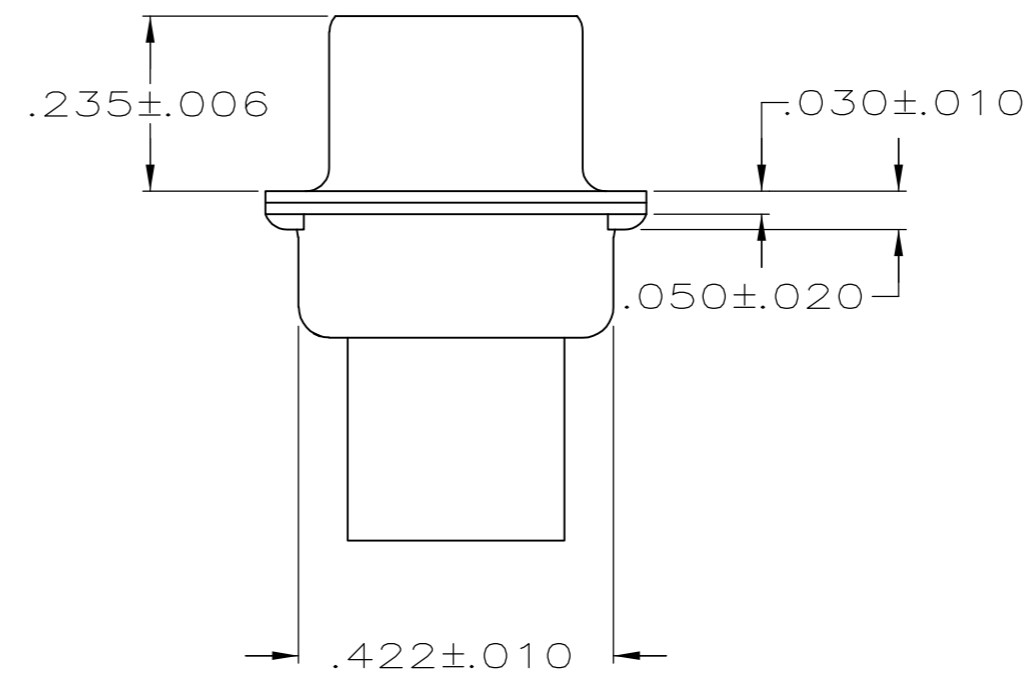
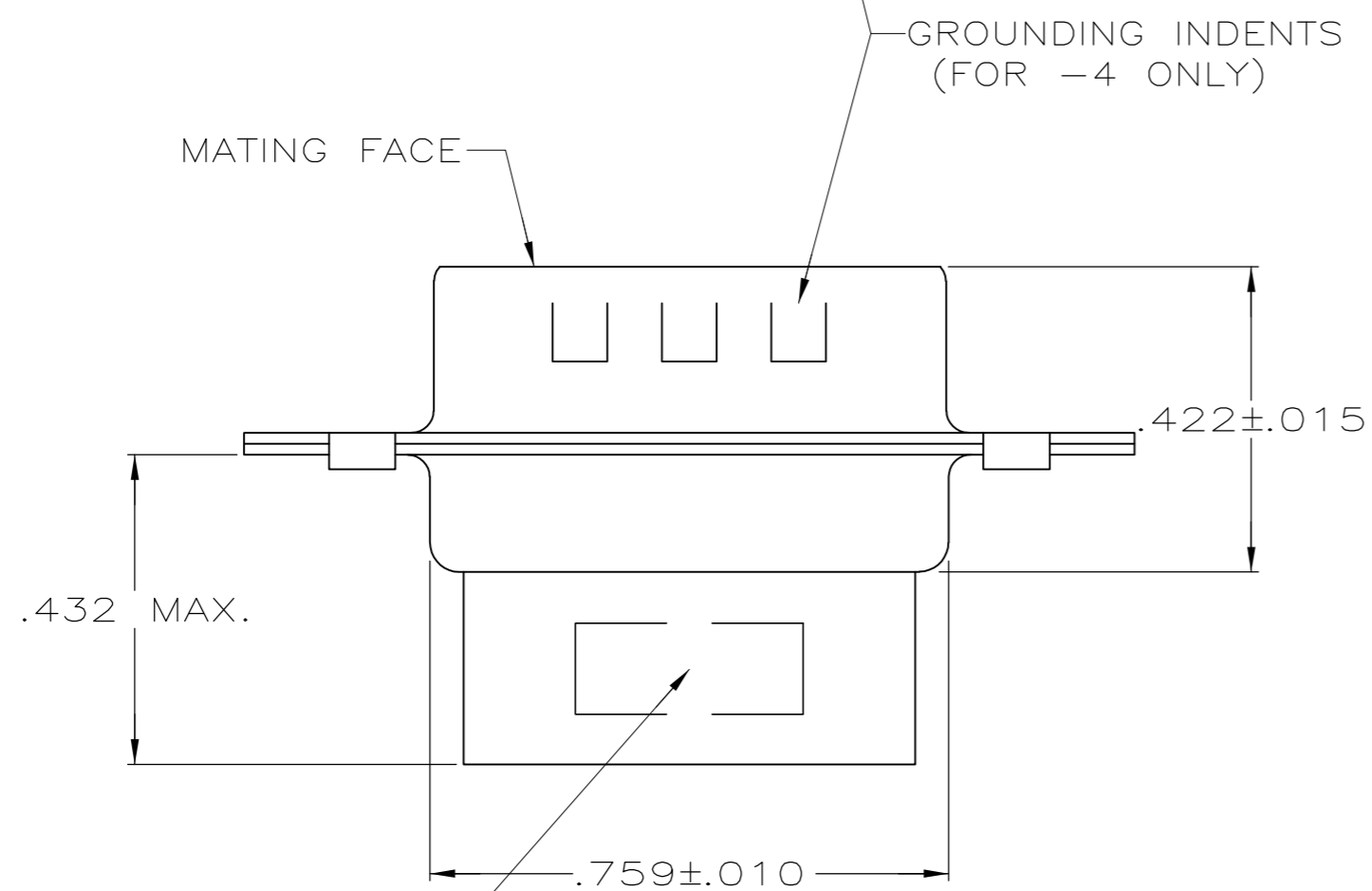


THIS DRAWING IS UNPUBLISHED. RELEASED FOR PUBLICATION  
 © COPYRIGHT - By - ALL RIGHTS RESERVED.

LOC		DIST		REVISIONS			
P	LTR	DESCRIPTION		DATE	DWN	APVD	
GP	00	K3	REVISED PER ECO-11-004835	11MAR11	RK	HMR	



1. CONNECTOR ACCEPTS SIZE 20 DF PIN CONTACTS, RETENTION TINES ARE AN INTEGRAL PART OF INSERT.
2. CONNECTOR COMPLIES WITH 108-40005 WHERE APPLICABLE.
- ③ MOLDED PARTS: NYLON, FLAME RETARDANT, 94V-0 RATED, GLASS FILLED, BLACK.
- ④ SHELLS: STEEL PER ASTM A109.
- ⑤ ZINC PLATED PER ASTM B633; TYPE II; CLASS SC1; YELLOW CHROMATE.
- ⑥ TIN OR TIN-LEAD PLATED OVER COPPER UNDERPLATE.
- ⑦ CHROME PLATED.
- ⑧ TIN PLATED OVER COPPER UNDERPLATE.
- ⑨ ZINC PLATED .000200-.000400 THICK, YELLOW TRIVALENT CHROMIUM CHROMATE COATING.
- ⑩ OBSOLETE PARTS: OBSOLETE CIS STREAMLINING PER D.RENAUD/D.SINISI



PACKAGING TYPE	SHELL FINISH	GROUNDING INDENTS	PART NUMBER
⑩ OBSOLETE	SMALL PACK	⑨ NO	4-205204-0
	STANDARD	⑨ NO	205204-9
	STANDARD	⑧ NO	205204-8
SUPERSEDED BY 205204-9	SMALL PACK	⑤ NO	205204-7
	STANDARD	⑧ YES	205204-4
SUPERSEDED BY 205204-8	STANDARD	⑥ NO	205204-3
OBSOLETE	STANDARD	⑦ NO	205204-2
SUPERSEDED BY 205204-9	STANDARD	⑤ NO	205204-1

THIS DRAWING IS A CONTROLLED DOCUMENT.		DWN S. WELDON 07/19/85	<b>TE</b> TE Connectivity	
DIMENSIONS: INCHES		CHK J. GERACE 07/29/85		
TOLERANCES UNLESS OTHERWISE SPECIFIED:		APVD -	NAME	
0 PLC ± -	1 PLC ± -	PRODUCT SPEC -	PLUG CONNECTOR, SIZE 1, 9 POS., AMPLIMITE HDP	
2 PLC ± -	3 PLC ± .005	APPLICATION SPEC -	SIZE A2	CAGE CODE 00779
4 PLC ± -	ANGLES ± -	WEIGHT -	DRAWING NO C=205204	RESTRICTED TO -
MATERIAL SEE NOTES	FINISH SHELLS: SEE TABLE	CUSTOMER DRAWING	SCALE NTS	SHEET 1 of 1
			REV K3	