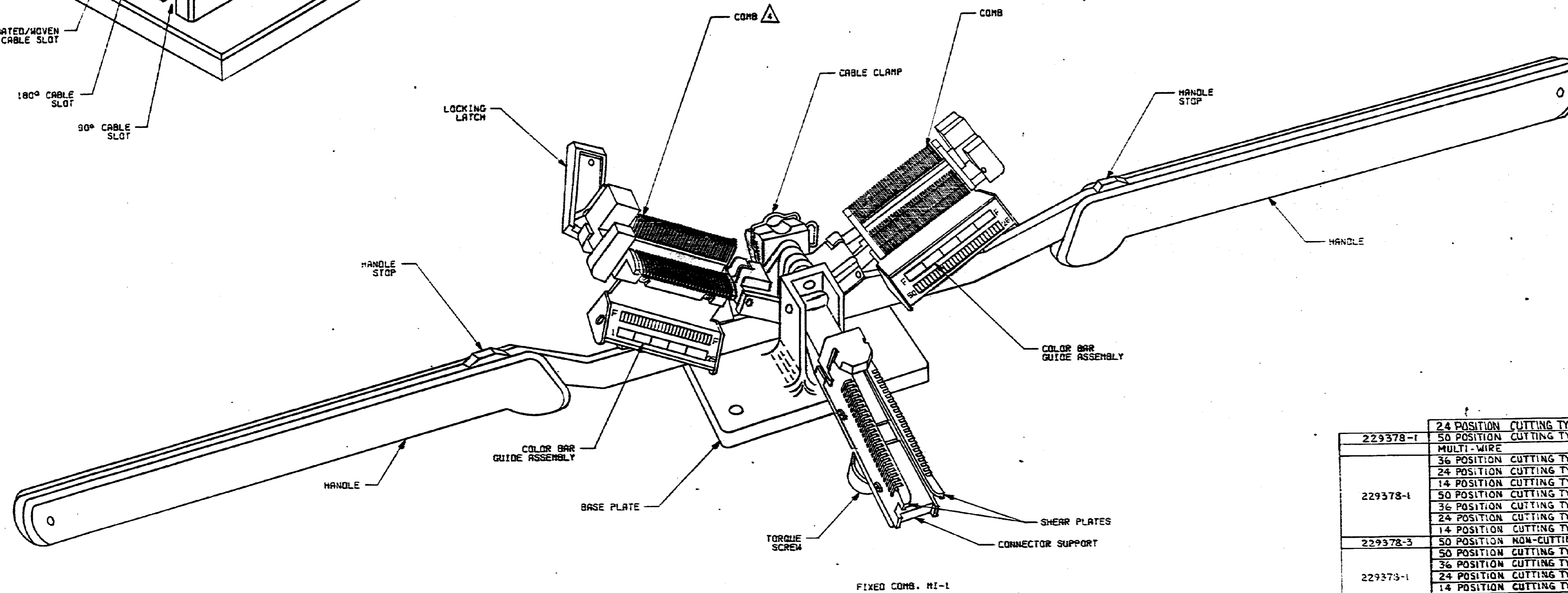
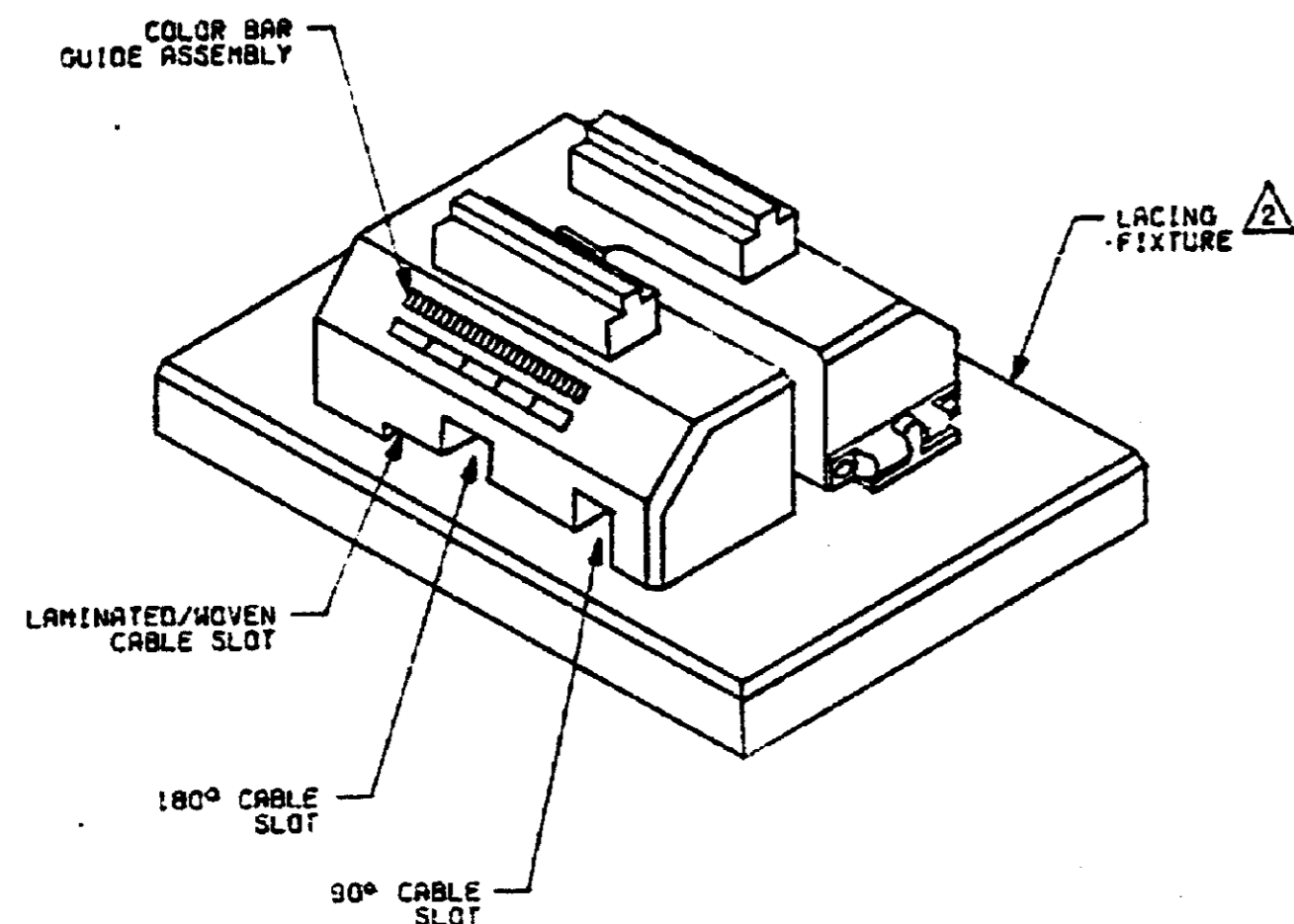


DRAWING MADE IN THIRD ANGLE PROJECTION

RELEASED FOR PUBLICATION

REVISED		DATE	APPROVED
AC1	REVISED PER ECO-11-005294	06APR 11	HMR

- 1. SEPARABLE COMB KIT, PART NUMBER 230327-1. CONTAINS 6 SEPARABLE COMBS AND IS OPTIONAL.
- ⚠ LACING FIXTURE, PART NUMBER 230328-1, IS OPTIONAL.
- ⚠ INACTIVE - FOR REPLACEMENT ONLY.
- ⚠ COMBS MAY BE UTILIZED ON THE TOOL OR REMOVED FOR REMOTE LACING ON THE OPTIONAL FIXTURE.



REPLACED BY	DESCRIPTION	PART NO.
229378-1	24 POSITION CUTTING TYPE, SEPARABLE COMB, TEEF	2-229378-2
	50 POSITION CUTTING TYPE, SEPARABLE COMB, LOW EFFORT	2-229378-1
	MULTI-WIRE	2-229378-0
	36 POSITION CUTTING TYPE, SEPARABLE COMB	1-229378-9
	24 POSITION CUTTING TYPE, SEPARABLE COMB	1-229378-8
	14 POSITION CUTTING TYPE, SEPARABLE COMB	1-229378-7
	50 POSITION CUTTING TYPE, LOW EFFORT	1-229378-5
	36 POSITION CUTTING TYPE	1-229378-4
	24 POSITION CUTTING TYPE	1-229378-3
	14 POSITION CUTTING TYPE	1-229378-2
	50 POSITION NON-CUTTING TYPE	1-229378-1
	50 POSITION CUTTING TYPE, SEPARABLE COMB	1-229378-0
	36 POSITION CUTTING TYPE, SEPARABLE COMB	229378-9
	24 POSITION CUTTING TYPE, SEPARABLE COMB	229378-8
	14 POSITION CUTTING TYPE, SEPARABLE COMB	229378-7
	50 POSITION CUTTING TYPE	229378-6
	50 POSITION CUTTING, LOW EFFORT	229378-5
	HALF-TAP TOOL	229378-3
	14 TO 50 POSITION STANDARD TOOL	229378-1

UNLESS OTHERWISE SPECIFIED DIMENSIONS ARE IN INCHES		CONTRACT NO.	
TOLERANCES ARE:		DR	
DECIMALS: <input type="checkbox"/>		ONE	
ANGLES: <input type="checkbox"/>		MID	
MATERIAL:		APPRO	
FINISH:		CSGN APPRO	
OTHER APPRO		OTHER APPRO	
NAME		SIZE	PSGN NO.
ASSEMBLY, TOOL, MI-1 (CHAMP)		D	00779
DRAWING NO.		229378	
SCALE 1:1		SHEET 1 OF 1	



CUSTOMER DRAWING