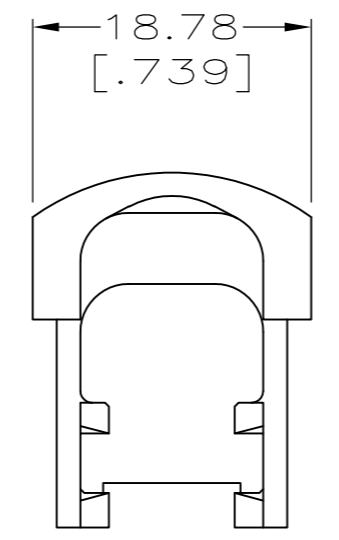
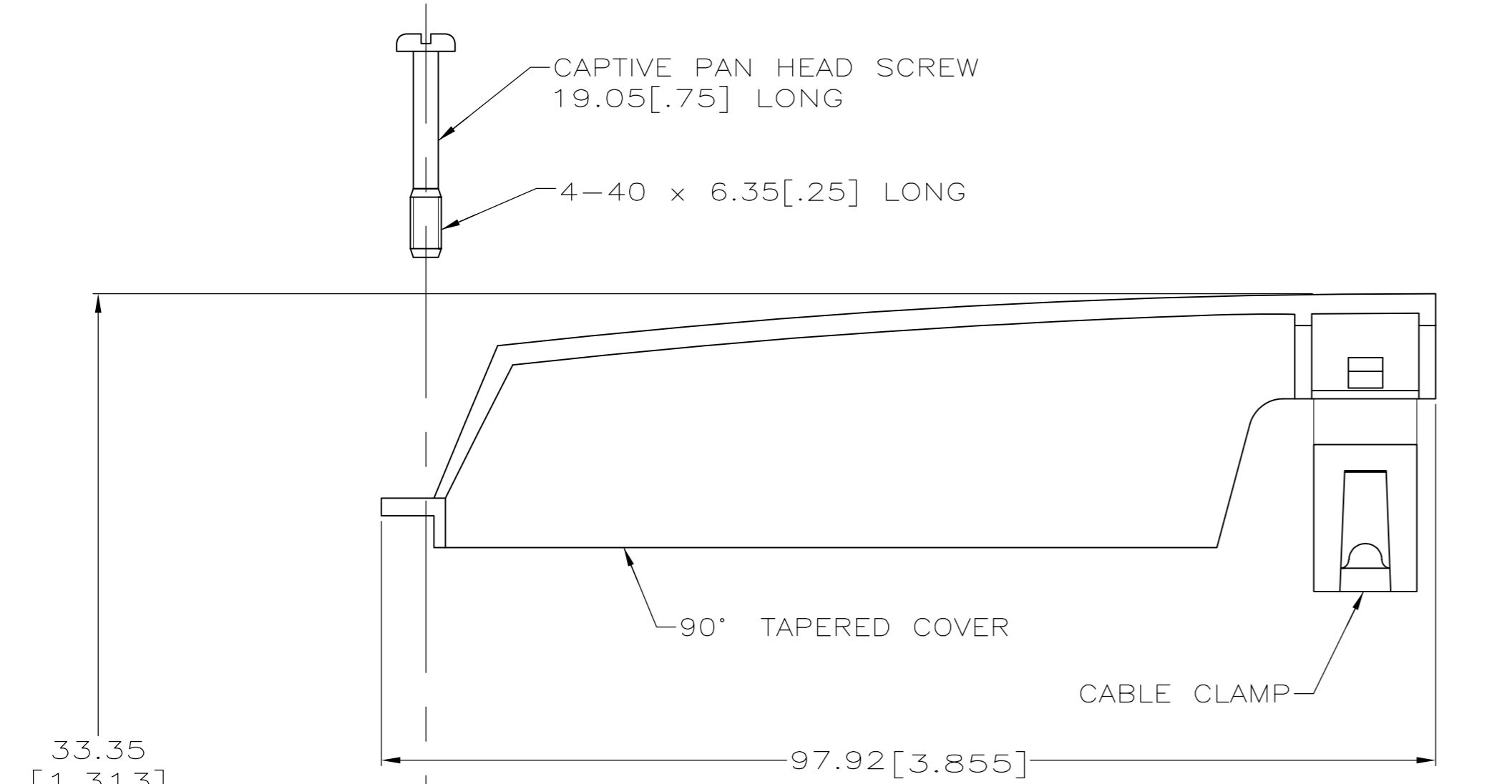
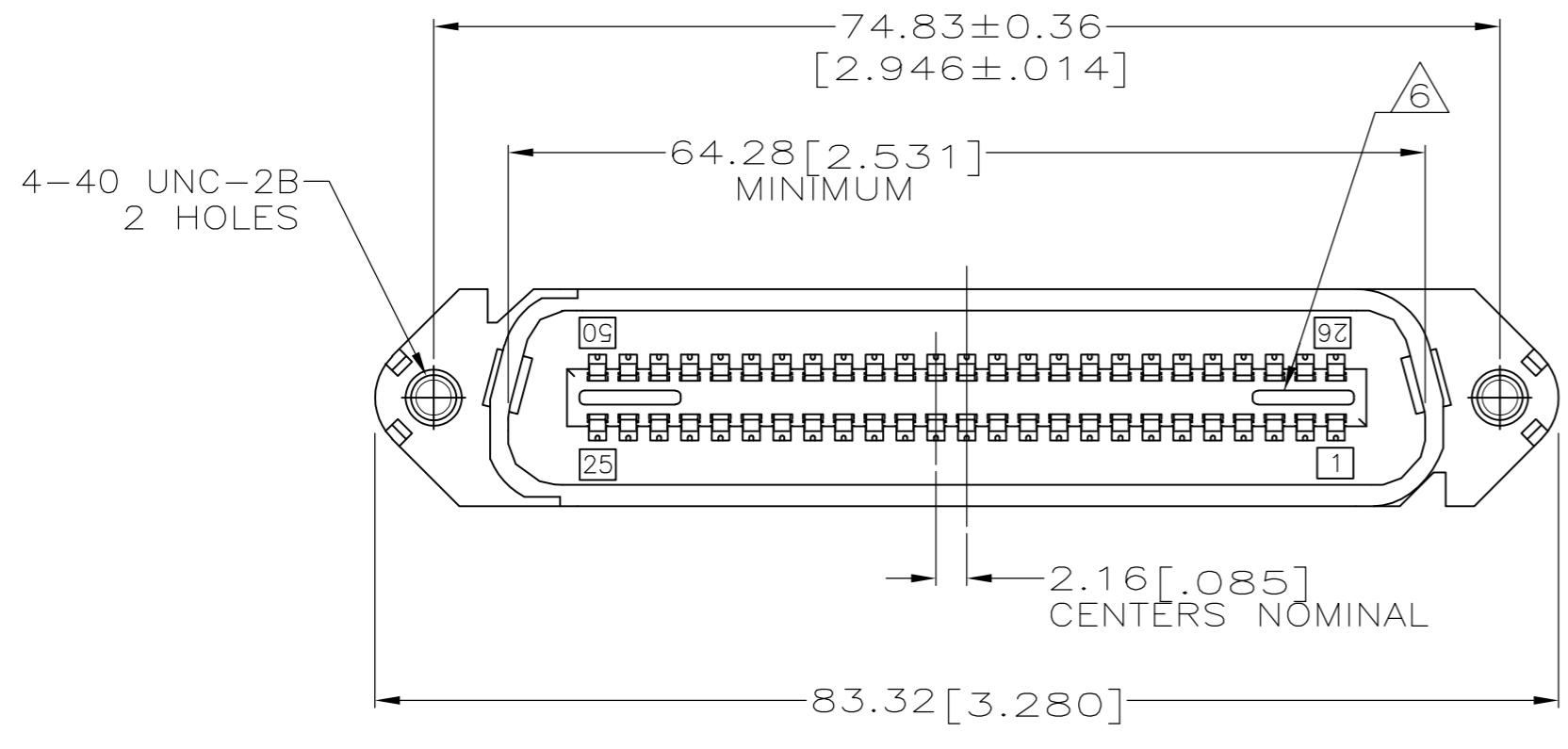
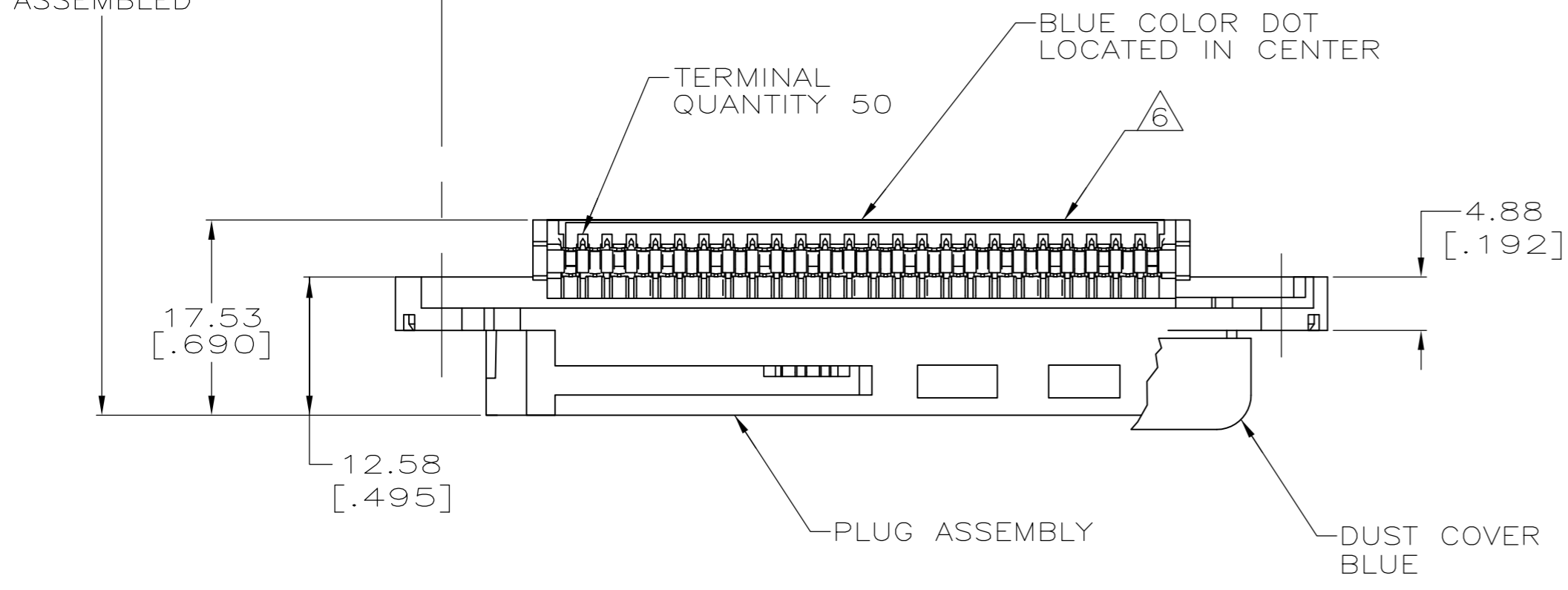


THIS DRAWING IS UNPUBLISHED. RELEASED FOR PUBLICATION
 © COPYRIGHT - By - ALL RIGHTS RESERVED.

LOC		DIST		REVISIONS			
P	LTR	DESCRIPTION		DATE	DWN	APVD	
GP	00	B2	REVISED PER ECO-11-004835		11MAR11	RK	HMR



- THE CONTACT SURFACES OF THE TERMINALS ARE COATED WITH LUBRICANT.
- DIMENSIONS ARE MAXIMUM UNLESS OTHERWISE SPECIFIED.
- MATERIAL: HOUSING AND COVER - POLYPHENYLENE OXIDE.
 CABLE CLAMP - POLYESTER MOLDING COMPOUND.
 TERMINAL - HIGH STRENGTH COPPER ALLOY PLATED WITH 0.76µm [.000030] MIN GOLD OR GOLD FLASH OVER PALLADIUM NICKEL PLATE, 0.76µm [.000030] MIN TOTAL ON MATING SURFACE, OVER 1.27µm [.000050] MIN NICKEL UNDERPLATE.
 HARDWARE - ZINC PLATED STEEL.
 DUST COVER - POLYETHYLENE MOLDING COMPOUND.
- THIS KIT SHIPPED NOT ASSEMBLED.
- WIRE SIZE: 24 & 26 AWG SOLID & 24/7 STRAND COPPER CONDUCTORS. MAXIMUM INSULATION DIAMETER OF 1.14[.045] IS ACCEPTABLE FOR MOST APPLICATIONS.
- CORING MAY OR MAY NOT APPEAR AND IS AT THE DISCRETION OF AMP INCORPORATED.
- OBsolete PARTS: OBSOLETE CIS STREAMLINING PER D.RENAUD/D.SINISI



PACKAGING	CABLE RANGE	DUST COVER	COLOR	PART NUMBER
BULK PACKED	ø7.62-8.26 [ø.300-.325]	YES	BLACK	△6-5229912-7
	ø8.89-10.80 [ø.350-.425]	YES	GRAY	6-5229912-4
		NO	BLACK	6-5229912-3
POLY BAGGED	ø10.80-12.70 [ø.425-.500]	YES	BLACK	6-5229912-1
	ø8.89-10.80 [ø.350-.425]	NO	BLACK	3-5229912-1
		YES	BLACK	2-5229912-1
		NO	GRAY	5229912-4
		NO	BLACK	5229912-1

THIS DRAWING IS A CONTROLLED DOCUMENT.

DWN: G.PETERS 23SEP2005
 CHK: W.MILLHIMES 23SEP05
 APVD: M.WALMSLEY 23SEP05

TE Connectivity

NAME: PLUG KIT, 50 POSITION, B-SLOT SCREW LOCK WITH TAPERED COVER, CHAMP-LOK

SIZE: A2 CAGE CODE: 00779 DRAWING NO: C=5229912 RESTRICTED TO: -

MATERIAL: 3 FINISH: 3 WEIGHT: - SCALE: 2:1 SHEET: 1 of 1 REV: B2

CUSTOMER DRAWING