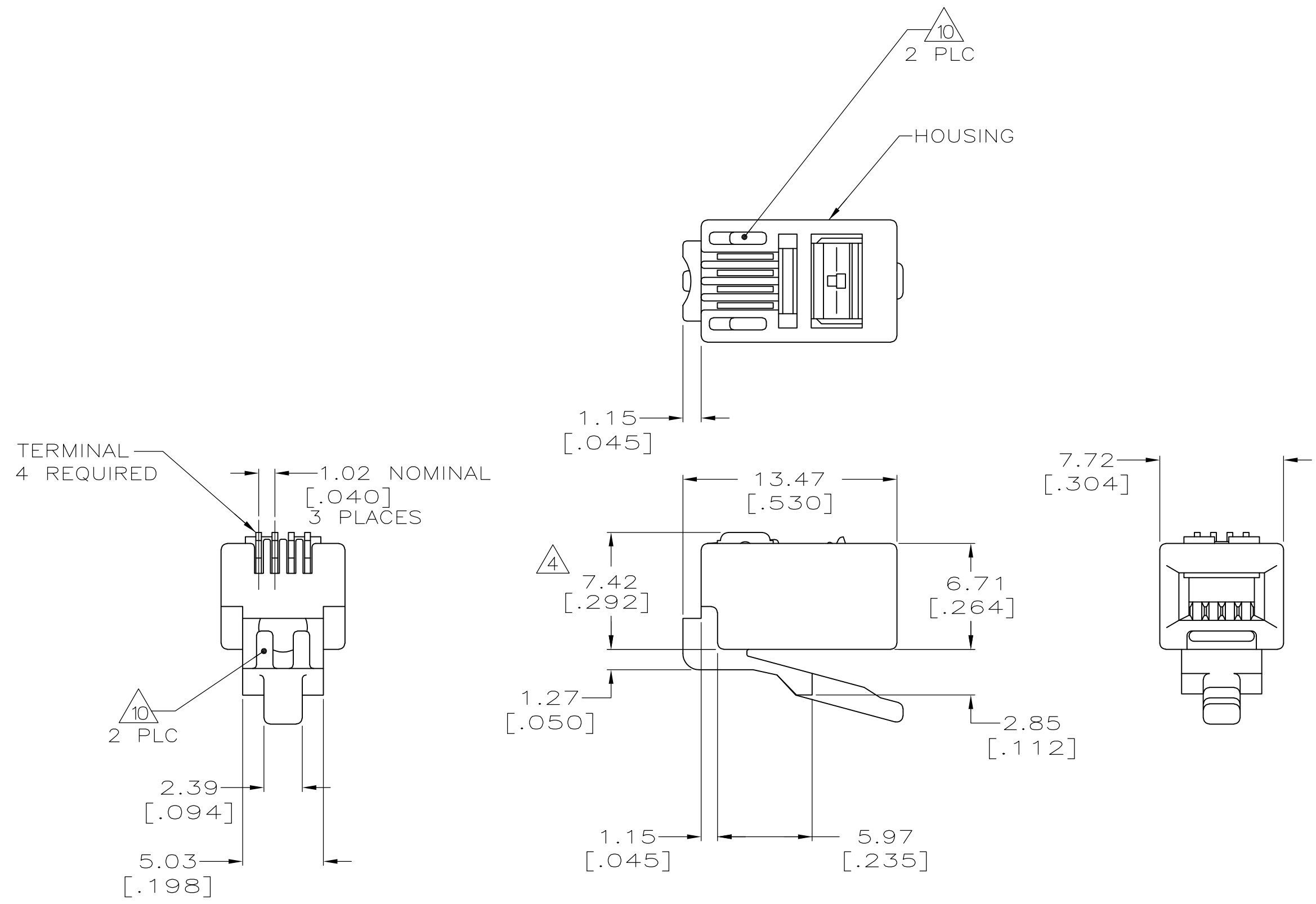


THIS DRAWING IS UNPUBLISHED. RELEASED FOR PUBLICATION  
 © COPYRIGHT - By - ALL RIGHTS RESERVED.

LOC	DIST	REVISIONS			
P	LTR	DESCRIPTION	DATE	OWN	APVD
HM	00	AA	REV PER ECO-12-012918	09JUL2012	JM JG



- 1. DIMENSIONS ARE MAXIMUM UNLESS OTHERWISE SPECIFIED.
- 2. MATERIAL: HOUSING—POLYCARBONATE, CLEAR. TERMINAL—0.36[.014] THICK PHOSPHOR BRONZE PLATED WITH 1.27 $\mu$ m[.000050] THICK GOLD IN LOCALIZED GOLD PLATE AREA, OVER 2.54 $\mu$ m[.000100] THICK NICKEL UNDERPLATE.
- 3. PLUG WILL ACCEPT 26 OR 28 AWG STRANDED WIRE, 0.99[.039] MAX INSULATION DIAMETER, WITH A 2.29 X 4.83 [.090 X .190] OVAL JACKET.
- 4. TERMINATED DIMENSION 6.15[.242] MAXIMUM.
- 6. 10,000 ASSEMBLES PER PACKAGE.
- 7. 1000 ASSEMBLIES PER PACKAGE.
- 8. 100 ASSEMBLIES PER PACKAGE.

**SUPERSEDED BY 5-641334-2**

8	5-641334-3
7	5-641334-2
6	5-641334-1
10	641334-1
REELED	PART NO.

THIS DRAWING IS A CONTROLLED DOCUMENT.		DWN	YTP/UTA	8-31-93	TE Connectivity				
DIMENSIONS: mm[INCHES]		CHK	C.WHITT	9-15-93					
TOLERANCES UNLESS OTHERWISE SPECIFIED:		APVD	-	-					
0 PLC	± -	PRODUCT SPEC		108-1163	MODULAR PLUG ASSEMBLY, 4 POSITION, HANDSET				
1 PLC	± -	APPLICATION SPEC		114-6016					
2 PLC	± -	MATERIAL		-	SIZE	CAGE CODE	DRAWING NO	RESTRICTED TO	
3 PLC	± -	FINISH		-	A2	00779	G-641334	-	
4 PLC	± -	CUSTOMER DRAWING		SCALE	4:1	SHEET	1 OF 1	REV	AA
ANGLES	± -								