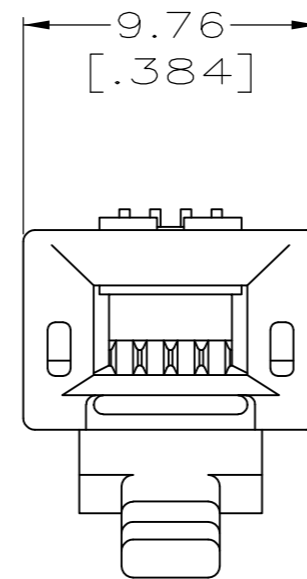
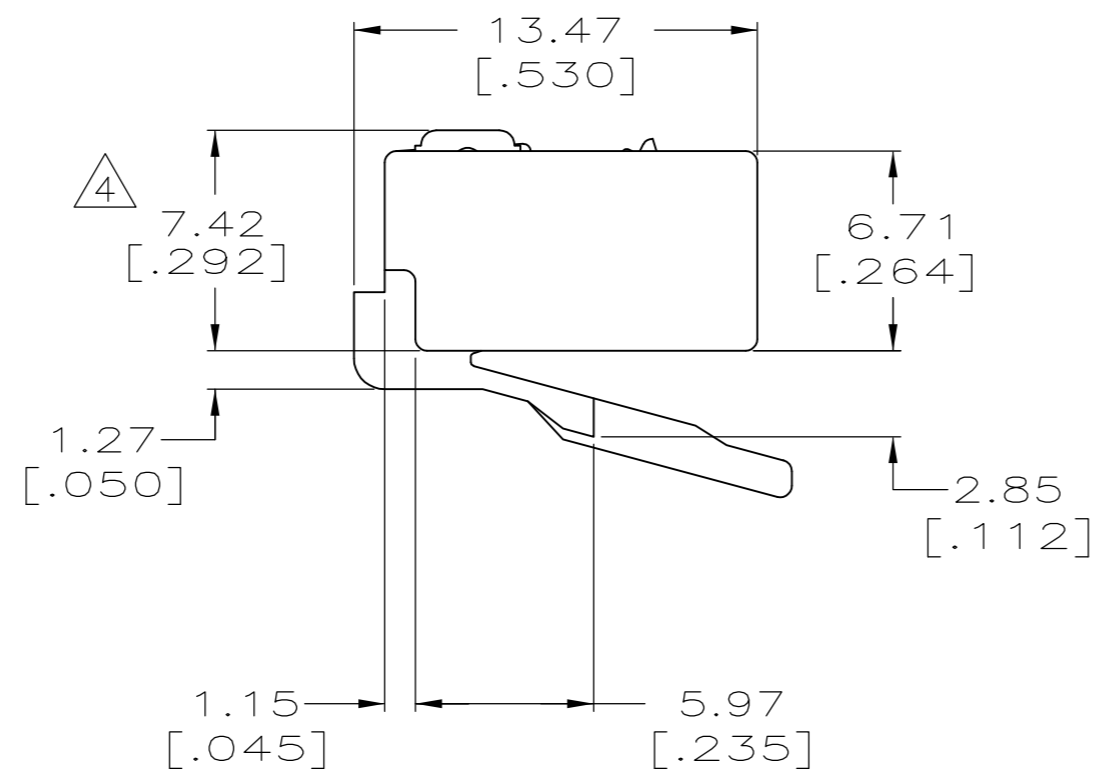
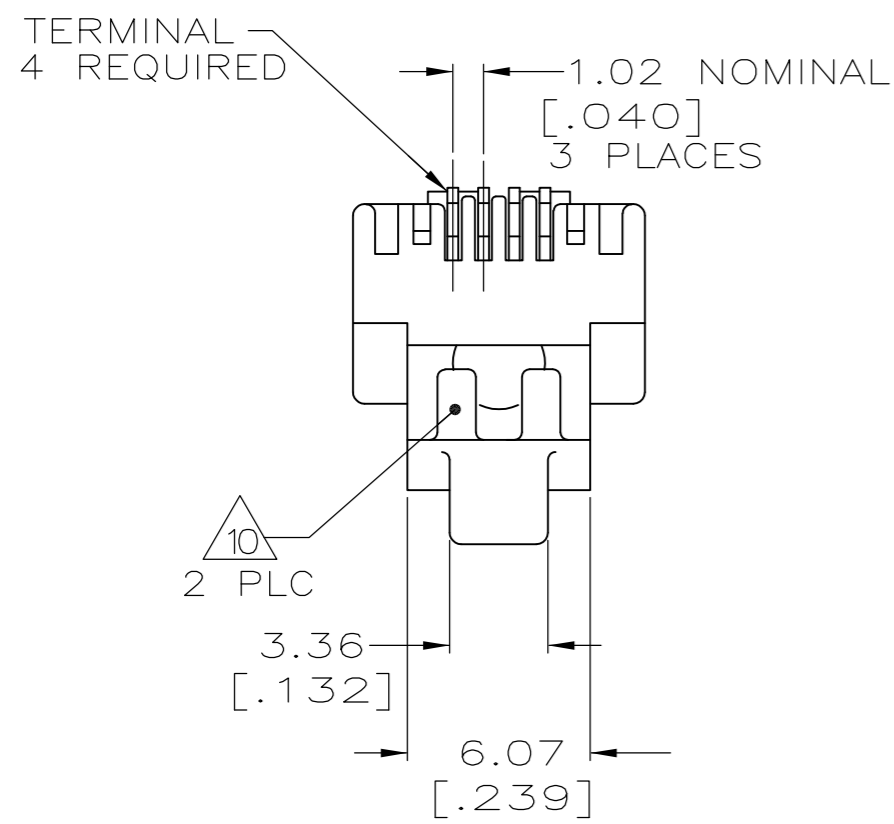
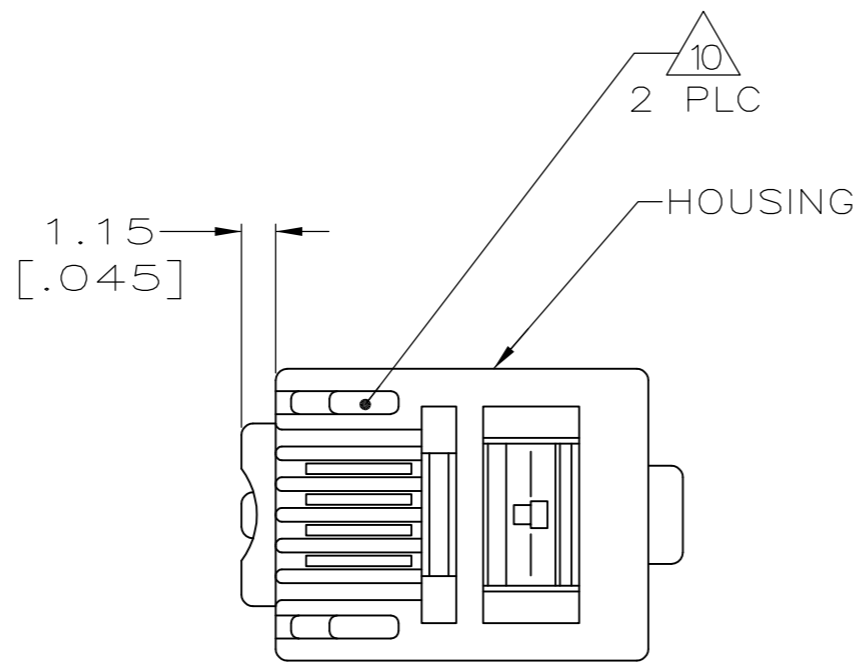


THIS DRAWING IS UNPUBLISHED. RELEASED FOR PUBLICATION
 © COPYRIGHT - By - ALL RIGHTS RESERVED.

LOC	DIST	REVISIONS					
HM	00	P	LTR	DESCRIPTION	DATE	DWN	APVD
		Z		REV PER ECO-12-012918	09JUL2012	JM	JG



- ① DIMENSIONS ARE MAXIMUM UNLESS OTHERWISE SPECIFIED.
- ② MATERIAL: HOUSING-POLYCARBONATE,CLEAR. TERMINAL-0.36[.014] THICK PHOSPHOR BRONZE PLATED WITH 1.27μm[.000050] THICK GOLD IN LOCALIZED GOLD PLATE AREA, OVER 2.54μm[.000100] THICK NICKEL UNDERPLATE.
- 3. PLUG WILL ACCEPT 26 OR 28 AWG STRANDED WIRE HAVING A MAXIMUM INSULATION DIAMETER OF 0.99[.039] AND A MAXIMUM DIAMETER ROUND CABLE JACKET OF 2.54 [.100] OR OVAL CABLE JACKET OF 2.29 x 4.83[.090 x .190] MAXIMUM.
- ④ TERMINATED DIMENSION 6.15[.242] MAXIMUM.
- ⑤ 10 ASSEMBLIES PER PACKAGE.
- ⑥ 10,000 ASSEMBLIES PER PACKAGE.
- ⑦ 1000 ASSEMBLIES PER PACKAGE.
- ⑧ 100 ASSEMBLIES PER PACKAGE.
- ⑩ REELED PRODUCT ON STRIP DOES NOT HAVE VOID CORING ILLUSTRATED ON THIS DRAWING.

SUPERSEDED BY 5-641335-7	⑤	6-641335-3
	⑧	5-641335-3
	⑦	5-641335-2
	⑥	5-641335-1
OBSOLETE	REELED ⑩	641335-1
	PACKAGED	PART NO

THIS DRAWING IS A CONTROLLED DOCUMENT.		DWN	YTP/JTA	9-1-93		TE Connectivity			
DIMENSIONS: mm [INCHES]		CHK	C.WHITT	9-15-93		NAME			
TOLERANCES UNLESS OTHERWISE SPECIFIED:		APVD	J.TONEY	9-20-93		PRODUCT SPEC			
0 PLC ± - 1 PLC ± - 2 PLC ± - 3 PLC ± - 4 PLC ± - ANGLES ± - FINISH ± -		APPLICATION SPEC		108-1163		MODULAR PLUG ASSEMBLY, 4 POSITION, LINE			
MATERIAL - ②		WEIGHT -		114-6016		SIZE	CAGE CODE	DRAWING NO	RESTRICTED TO
		CUSTOMER DRAWING		SCALE 4:1		A2	00779	⑥-641335	-
						SHEET 1 of 1		REV Z	