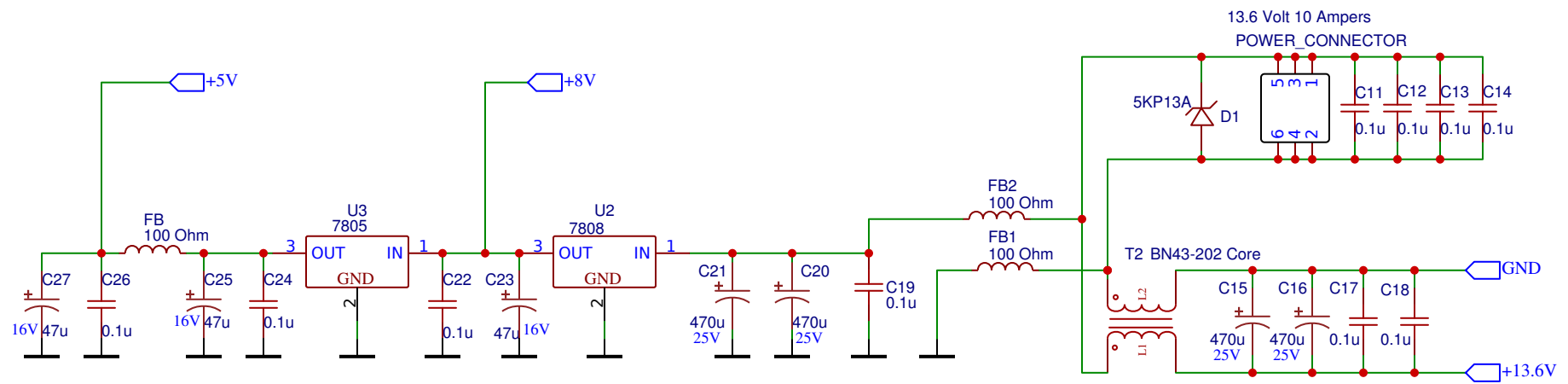
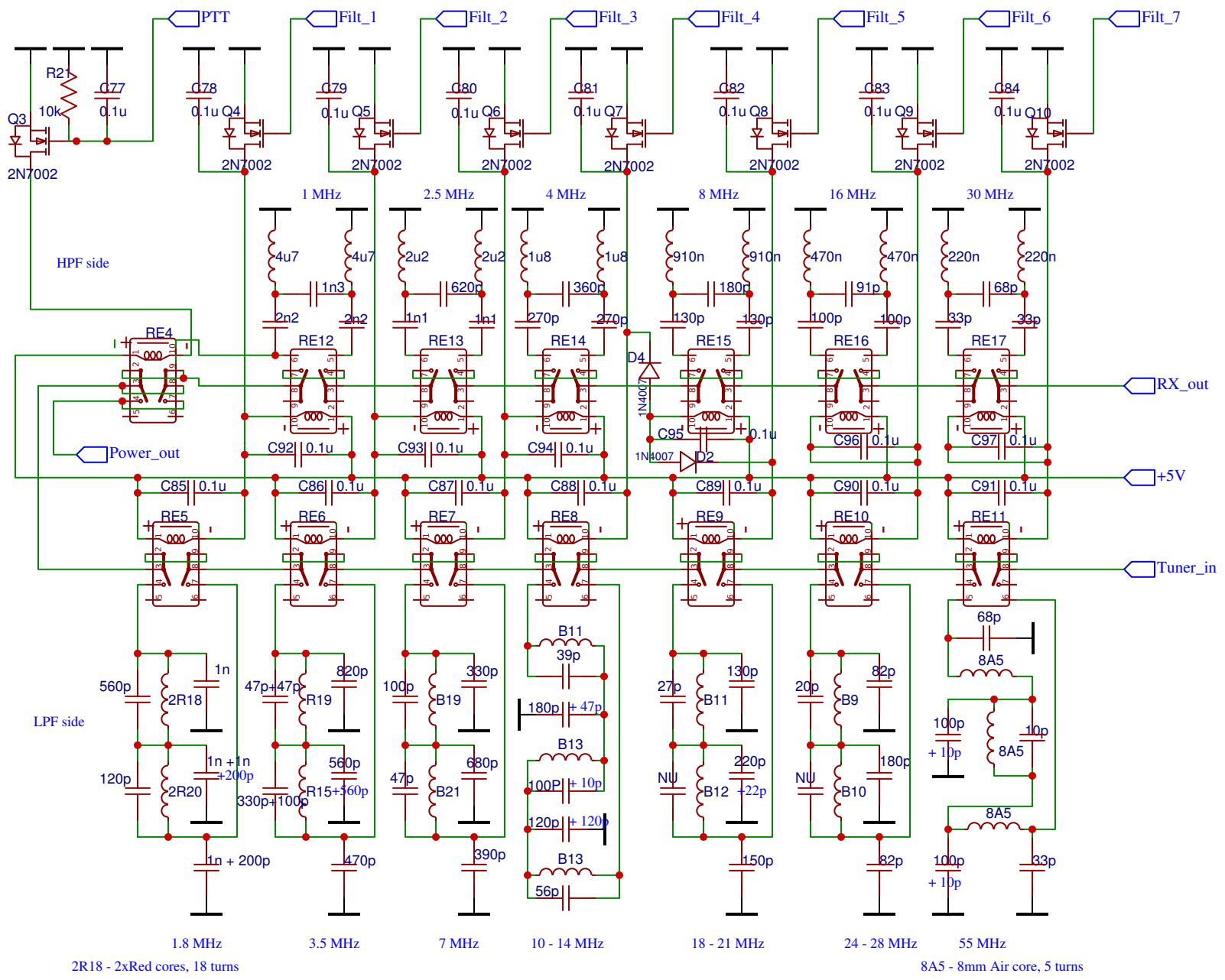


TITLE: HFPU-100, Control and Connection		REV: 1.0
Date: 2018-09-03	Sheet: 1/1	
EasyEDA V5.7.26	Drawn By: David Fainitski	



TITLE: HFSU-100, Power		REV: 1.0
Date: 2018-09-03	Sheet: 1/1	
EasyEDA V5.7.26	Drawn By: David Fainitski	



1.8 MHz
2R18 - 2xRed cores, 18 turns

3.5 MHz
R15+360p

7 MHz
B21

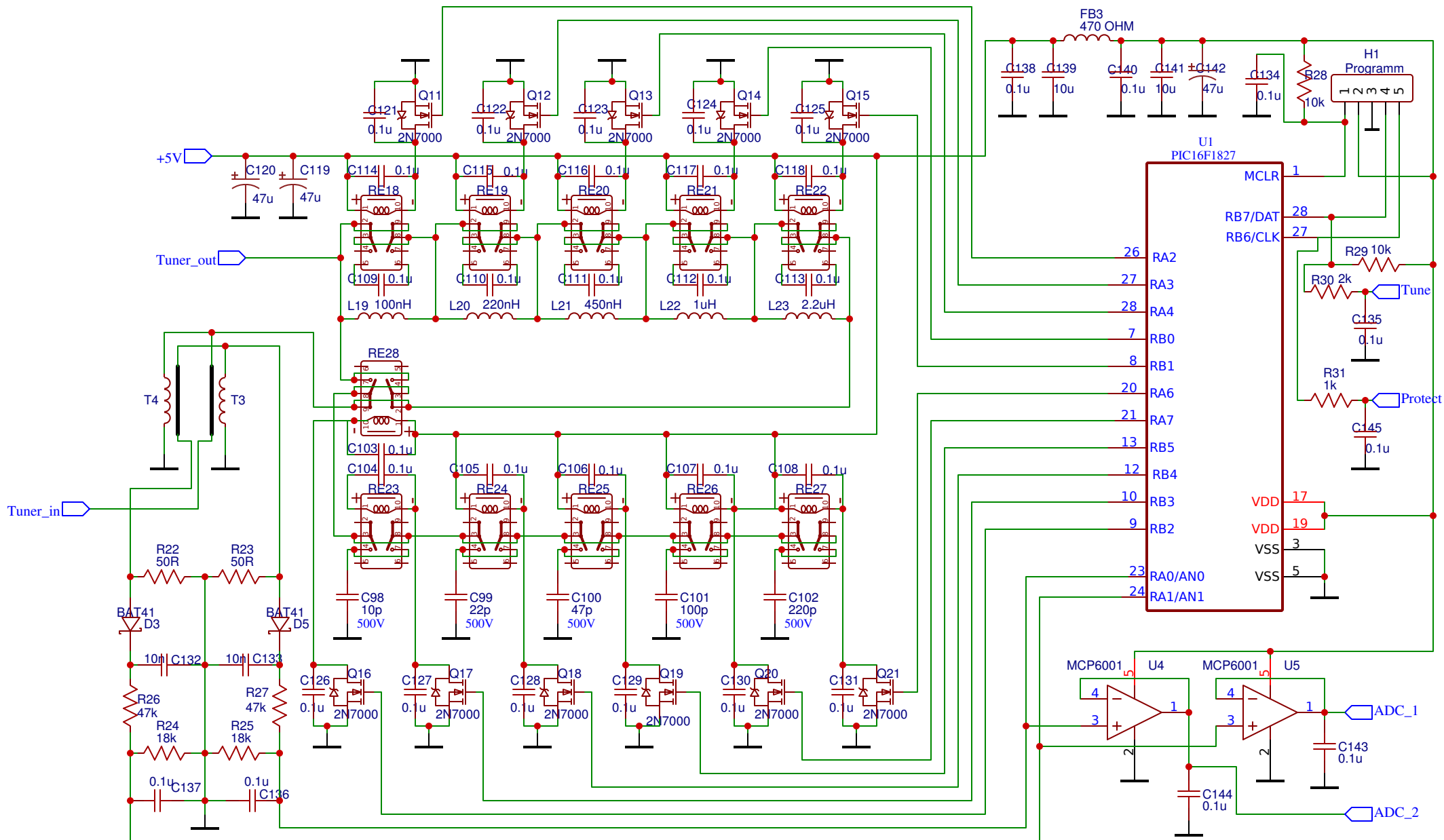
10 - 14 MHz
B13

18 - 21 MHz
B12

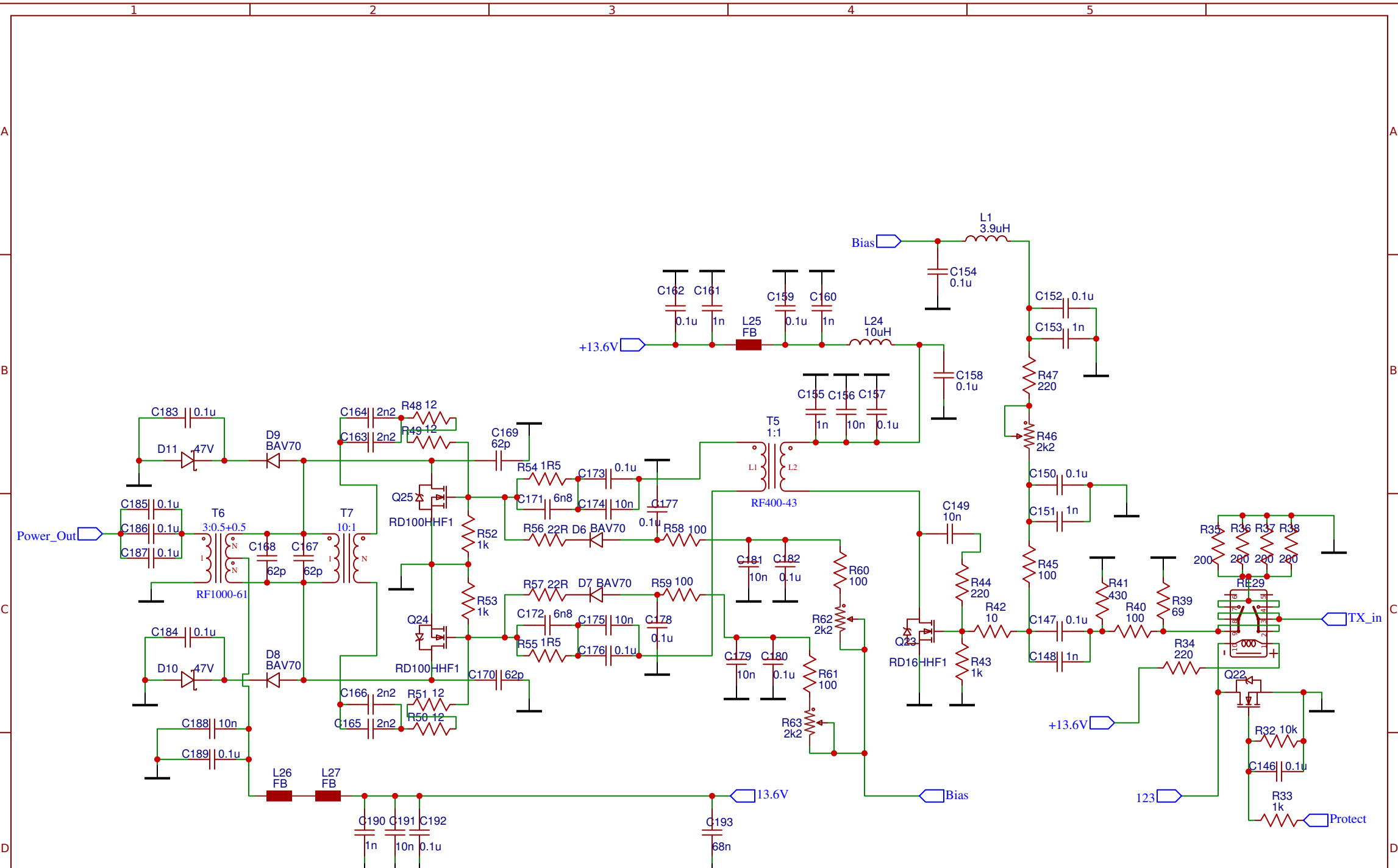
24 - 28 MHz
B10

55 MHz
8A5 - 8mm Air core, 5 turns

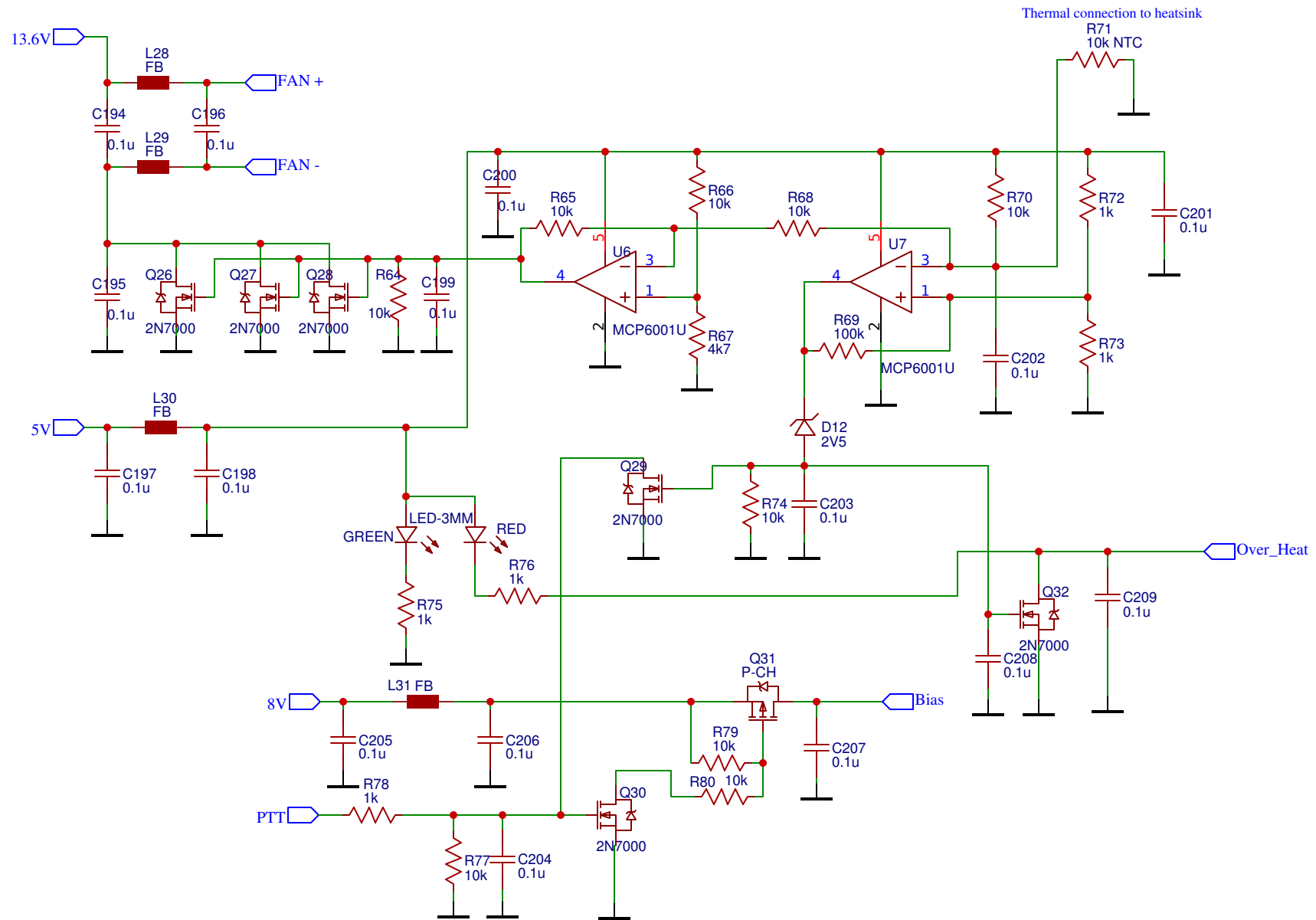
TITLE: HFPU-100, Filters		REV: 1.0
Date: 2018-09-03	Sheet: 1/1	
EasyEDA V5.7.26	Drawn By: David Fainitski	



TITLE: HFPU-100, Auto Tuner		REV: 1.0
Date: 2018-09-06		Sheet: 1/1
EasyEDA V5.7.26		Drawn By: David Fainitski



TITLE: HFPU-100, Amplifier		REV: 1.0
Date: 2018-09-07		Sheet: 1/1
EasyEDA V5.7.26	Drawn By: David Fainitski	



TITLE: HFPU-100, Fan control		REV: 1.0
Date: 2018-10-03	Sheet: 1/1	
EasyEDA V5.7.26	Drawn By: rolin791	