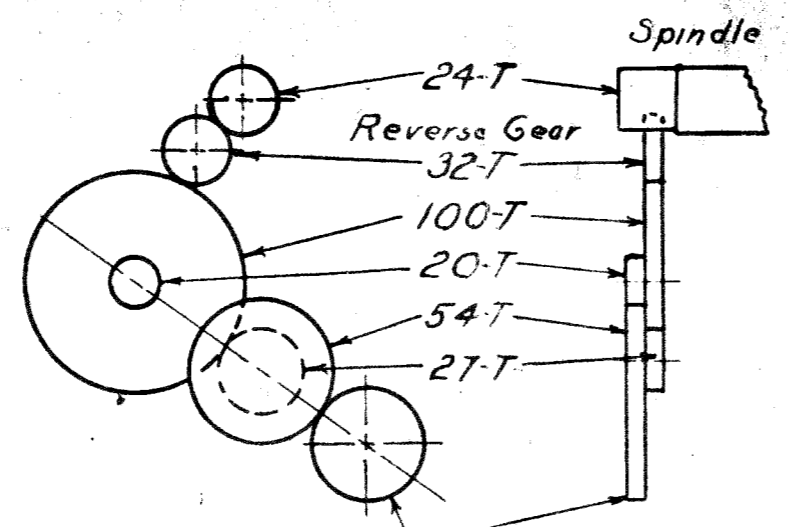
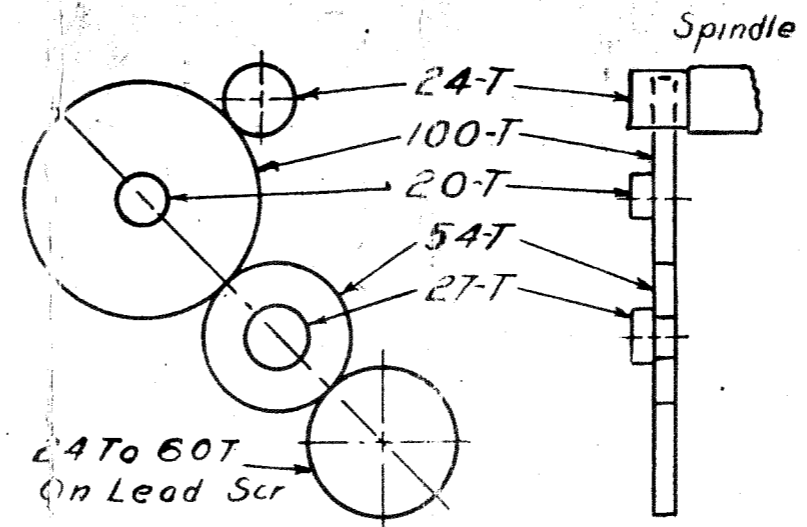


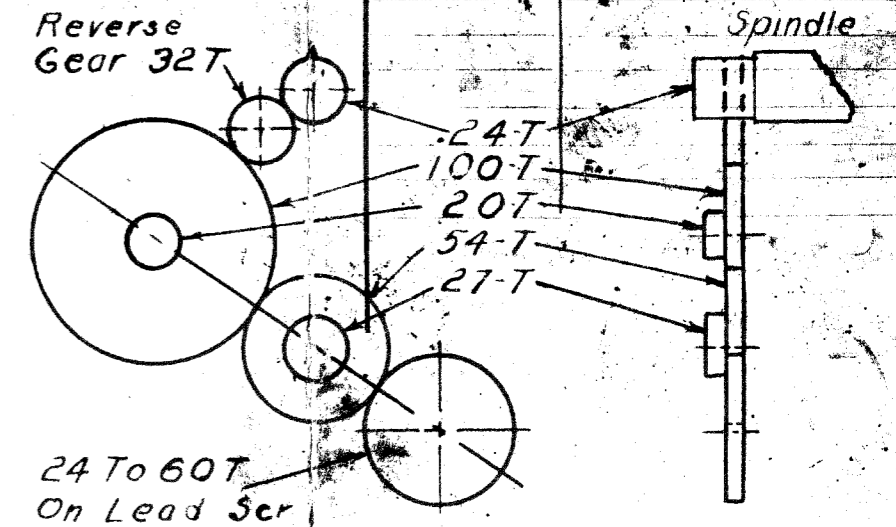
COMPOUND GEARING 2-1
Arrangement for 4-5-6-7-9 & 11½ thds. Per Inch Right Hand



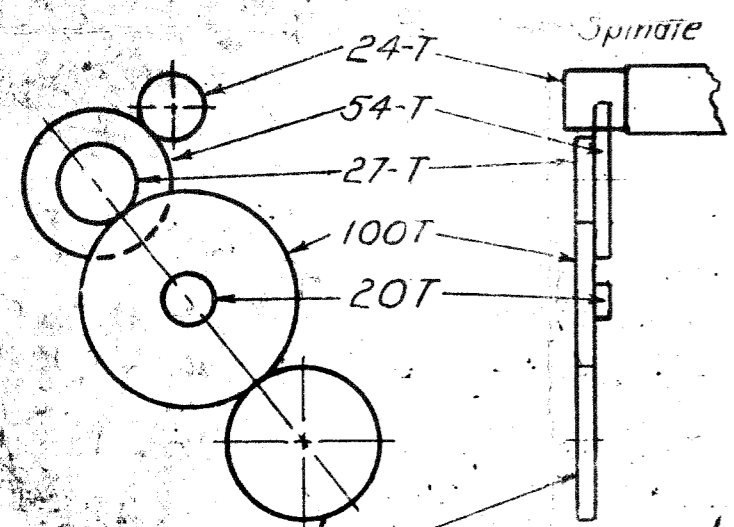
COMPOUND GEARING 2-1
Arrangement for 4-5-6-7-9 & 11½ thds. Per Inch Left Hand



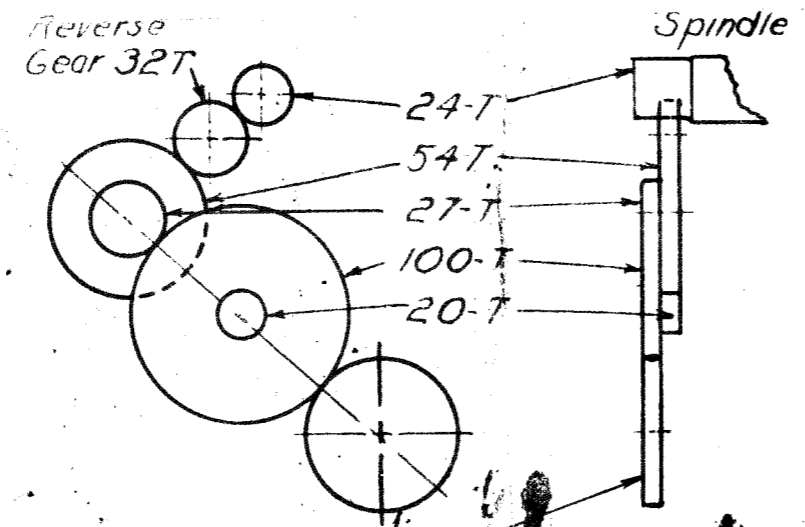
SIMPLE GEARING
Arrangement for 8-10-11-12-13-14-16-18 & 20 Threads Per Inch Right Hand



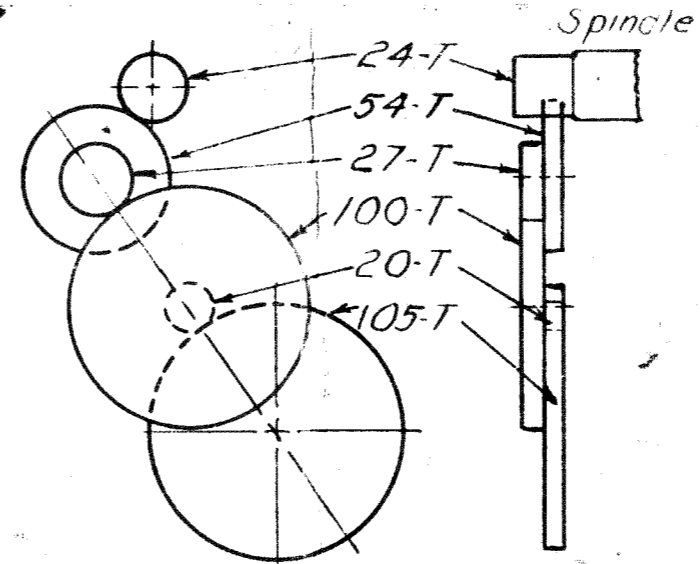
SIMPLE GEARING
Arrangement for 8-10-11-12-13-14-16-18-20 Threads Per Inch Left Hand



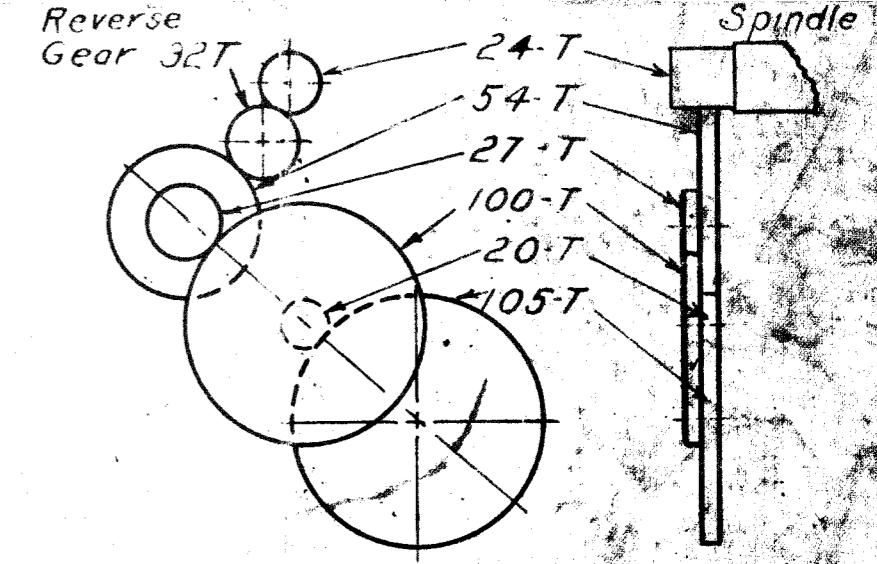
COMPOUND GEARING 1-2
Arrangement For 22-24-26-28-30-32-36-40 Thds. Per Inch Right Hand



COMPOUND GEARING 1-2
Arrangement for 22-24-26-28-30-32-36-40 Thds Per Inch Left Hand



TURNING FEED
350 Per Inch Right Hand Feed Per Rev. .0028



TURNING FEED
350 Per Inch Left Hand Feed Per Rev. .0028

9W LATHE DWG. NO 28C									
UNIT STD. CH GEAR COMBINATIONS									
SCALE QUARTER									
SOUTH BEND LATHE WORKS SOUTH BEND, IND., U.S.A.									
DATE		LET.		NATURE OF CHANGE		DR.		AP.	
8-21-34		11½ thd. corrected		from 1 to 2 to 2 1/2		JM		JED	
DATE		LET.		NATURE OF CHANGE		DR.		AP.	
4-18-34		JIM							