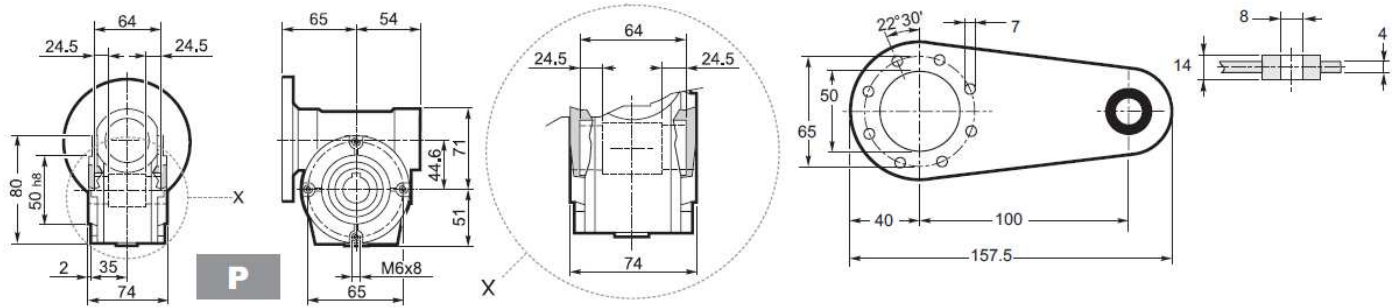
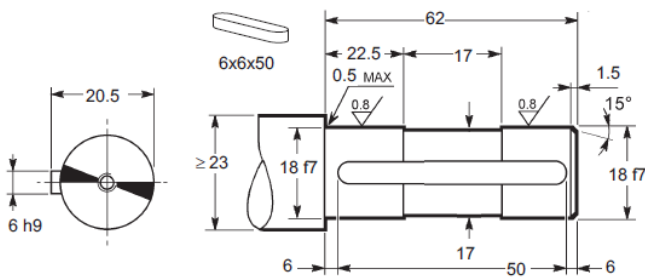


# VF 44

## Version P for shaft mounting or face mounting



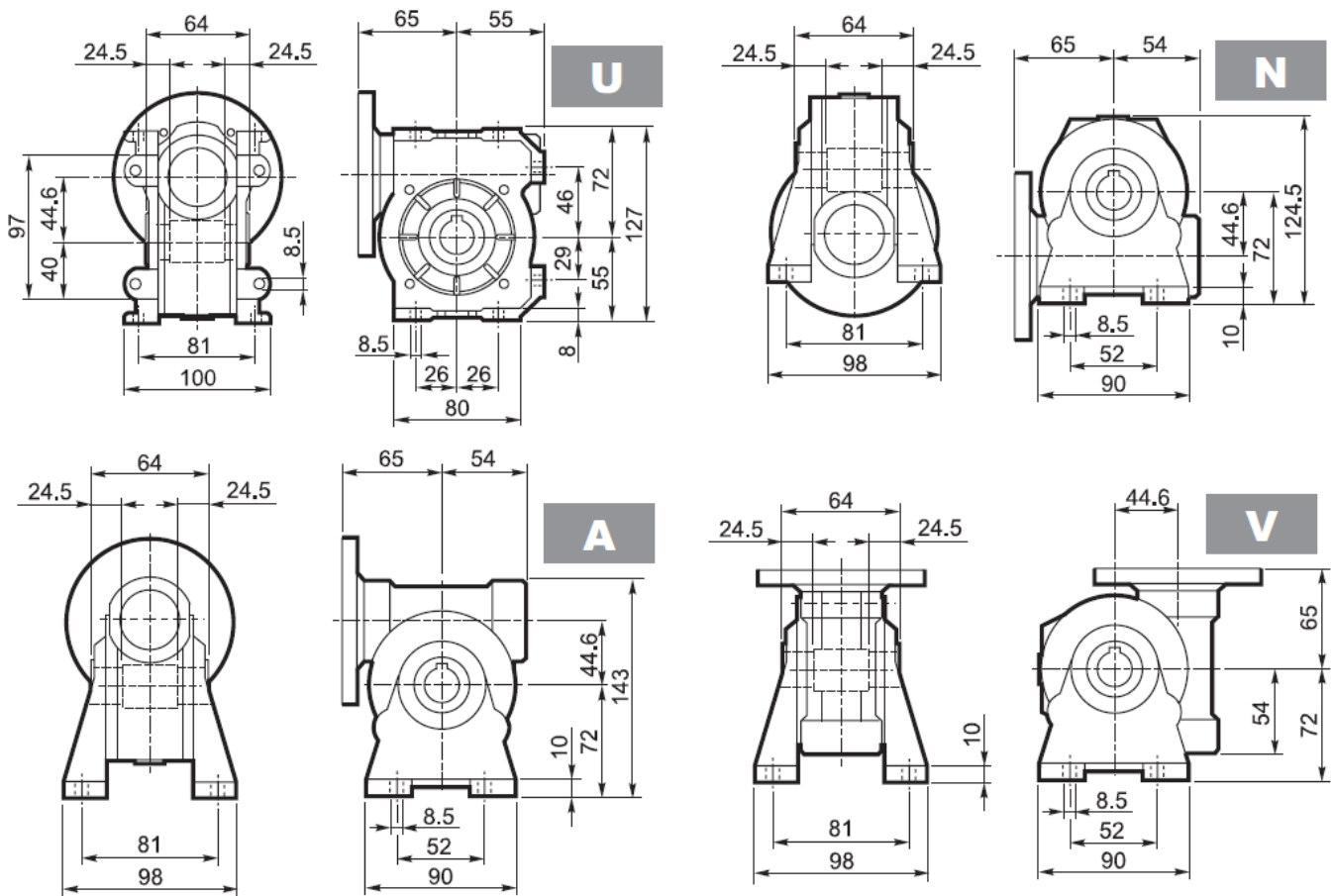
The **torque arm** is used to restrain gearbox rotation when the unit is shaft mounted. Ensure that the torque arm is pinned rather than bolted down rigidly. The gearbox must be free to float to allow for bent shafts.



Note that the hollow output shaft bore is relieved in the centre by one mm to make for easier mounting. Only 22.5 mm each side is 18 mm bore. Be aware of this when mounting on short shafts as insufficient engagement can cause failure.

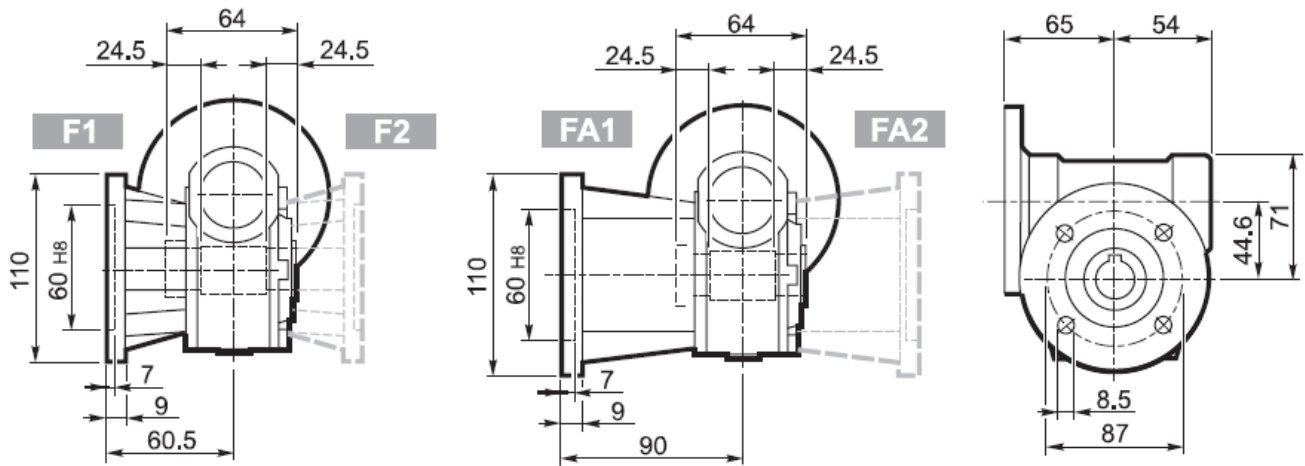
To the left are the recommended dimensions for a shaft prepared for shaft mounting the VF44. Detail will vary depending on how the gearbox is to be retained on the shaft.

## Versions for foot mounting

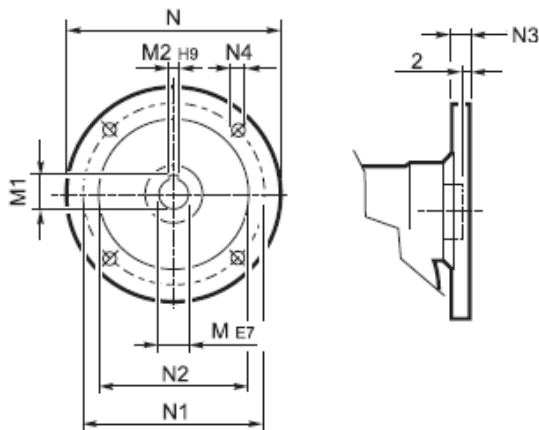


U type foot is the normal stock type. U feet can be pulled off and rotated as required. The A, N and V positions use the same foot but the orientation differs.

## Versions for flange mounting

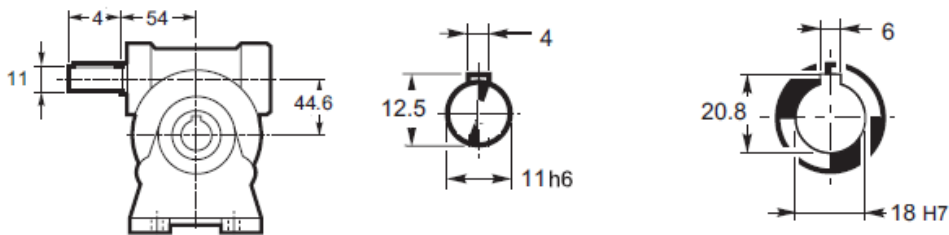


## Motorised input



IEC flange	M	M1	M2	N	N1	N2	N3	N4	Kg
P63 B5	11	12.8	4	140	115	95	10	9.5	2.0
P71 B5	14	16.3	5	160	130	110	10	9.5	
P63 B14	11	12.8	4	90	75	60	8	5.5	
P71 B14	14	16.3	5	105	85	70	10	7	

## Male input and hollow output shafts



## Male plug in single and double output shaft

