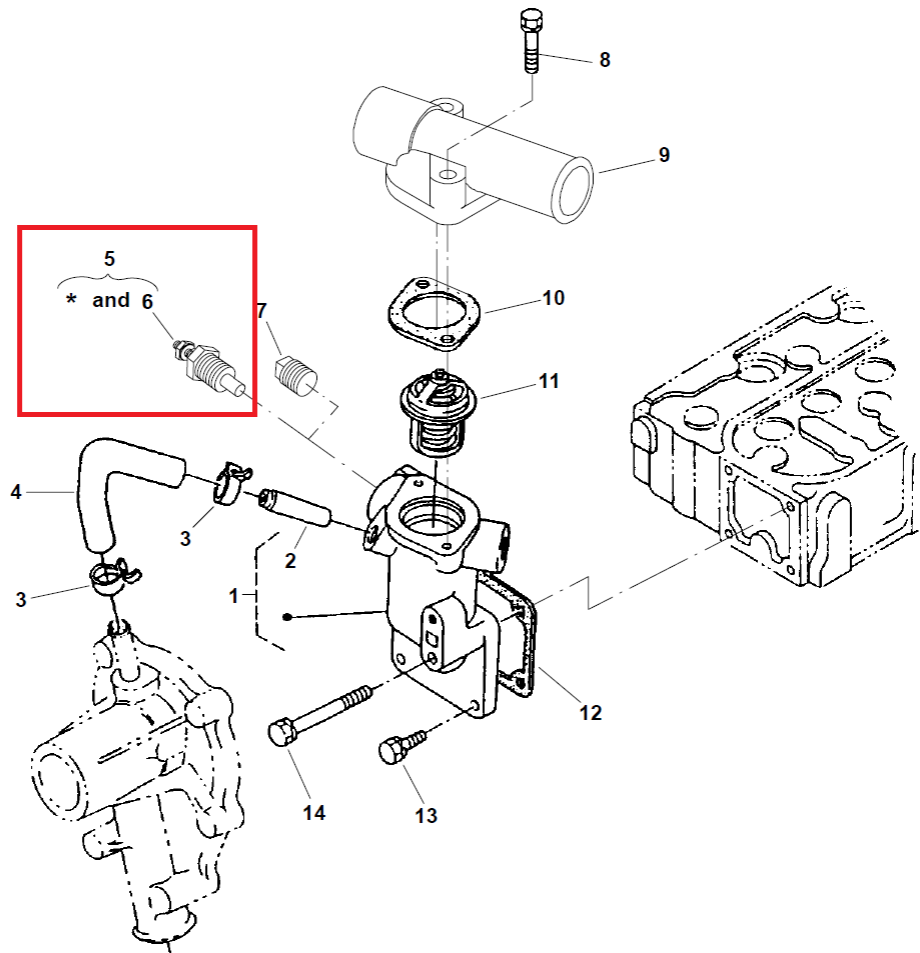


Water Flange



REF NO.	PART NO.	QTY. USED	PART DESCRIPTION	REF NO.	PART NO.	QTY. USED	PART DESCRIPTION
1	185-7297	1	Flange, Water (Includes Water Return Pipe)	7	185-5826	1	Plug
2	185-6445	1	Pipe, Water Return	8	185-6781	2	Bolt
3	185-6667	2	Band, Pipe	9	185-7298	1	Cover, Thermostat
4	185-6666	1	Pipe, Water Return	10	185-6004	1	Gasket, Thermostat
5			*Kit, Sender (Includes Water Temperature Sender)	11	185-6005	1	Thermostat
	300-5040	1	Negative Ground	12	185-6922	1	Gasket, Water Flange
	300-5041	1	Isolated Ground	13	185-2388	3	Bolt
6			Sender, Water Temperature (E2)	14	185-6665	1	Bolt
	193-0318	1	12 and 24V Negative Ground (B200,B201)				
	193-0457-01	1	+ 12V Isolated Ground (B380)				

* - Kit Also Includes Oil Pressure Sender Listed on Oil System Page.

+ - Sender Included in Isolated Ground Kit Listed on Isolated Ground Page.