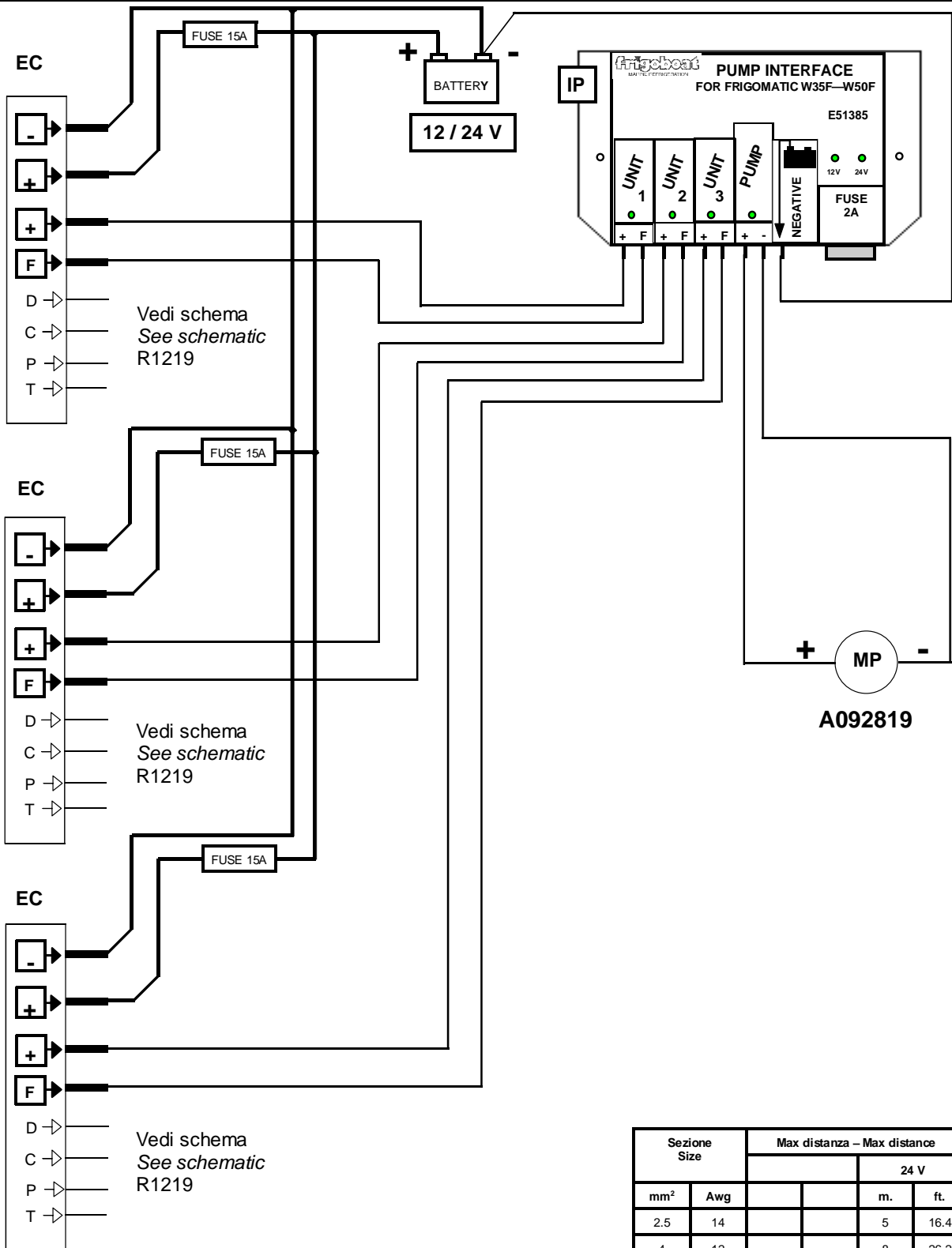


**ELECTRICAL SCHEMATIC FOR 2 OR 3 FRIGOMATIC W 35F AND W50F  
12/24 V WITH 1 PUMP AND PUMP INTERFACE E51385**



Sezione Size		Max distanza – Max distance			
		24 V			
mm <sup>2</sup>	Awg			m.	ft.
2.5	14			5	16.4
4	12			8	26.2
6	10			12	39.4
10	8			20	65.6

EC = Electronic controller - Electronique - Elettronica. E50895  
 IP = Pump interface - Interface pompe - Interfaccia pompa .E51385  
 MP = Selfpriming pump - Pompe autoamorcante - Pompa autodescante - .A092819