

1 2 3 4 5 6 7 8

A

A

B

B

C

C

D

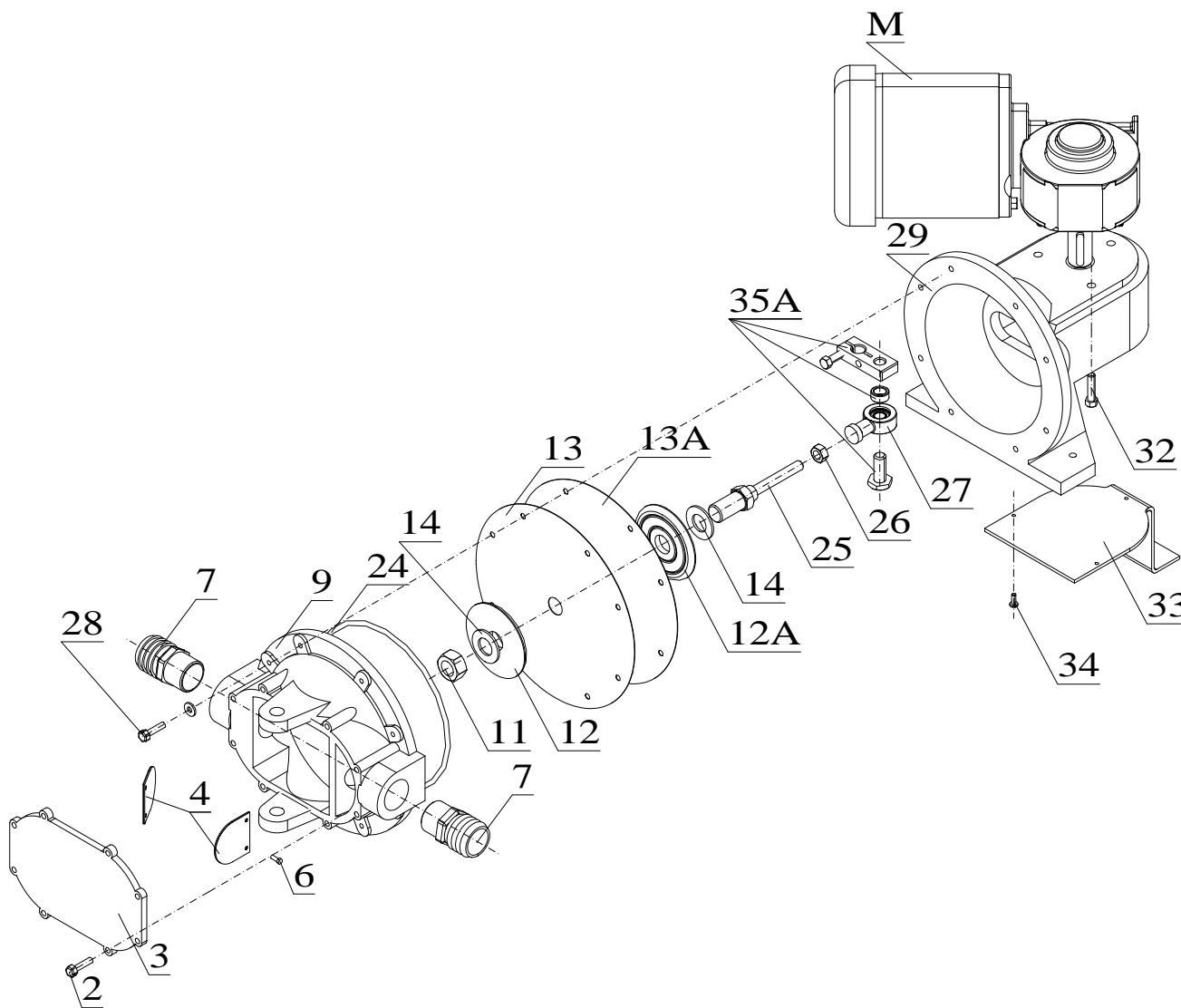
D

E

E

F

F



Item	Description	Code
02	Securing screw	YY219228
03	Cover of body	YY36475
04	Valve	YY36480*
06	Valve screw	YY219370
07	Hose connector	YY36490
09	Upper body	YY219230
11	Retaining nut	YY36916
12	Diaphragm plate	YY36900
12A	Diaphragm plate	YY219233
13	Superior diaphragm	YY36910*
13A	Inferior diaphragm	YY219232*
14	Washer	YY36920
24	O ring	YY36930*
25	Shaft	YY36940
26	Lock nut	YY36022
27	Connecting rod	YY36950
28	Screw	YY219234
29	Lower body	YY219235
32	Motor screw	YY219460
33	Cover	YY219461
34	Cover screw	YY219462
35A	Crank	YY37120
M	Geared electric motor 12V	YY37130
M	Geared electric motor 24V	YY37140

* Standard spare parts kit

REV	DESCRIPTION	DATE	APPR.
01	Progetto	17/10/14	G.K.

TFmarine
 Fluid technology
 for marine applications
www.tfmarine.it
info@tfmarine.it

	NAME	DATE
DRAWN	G.K.	17/10/14
CHECKED	S.G.	17/10/14
ENG APPR		

UNLESS OTHERWISE SPECIFIED
 DIMENSIONS ARE IN MILLIMETERS

COPYRIGHT
 This drawing remains the property
 of TFmarine and may not be
 copied in any way without prior
 written approval from this company

SCALE	1:4
WEIGHT	
MATERIAL	
NOTES	

TITLE		Exploded drawing Diaphragm pump	
SIZE	A3	CODE	YY219235
3RD ANGLE PROJECTION		REV	01
FILE NAME EX_MARINA			

1 2 3 4 5 6 7 8