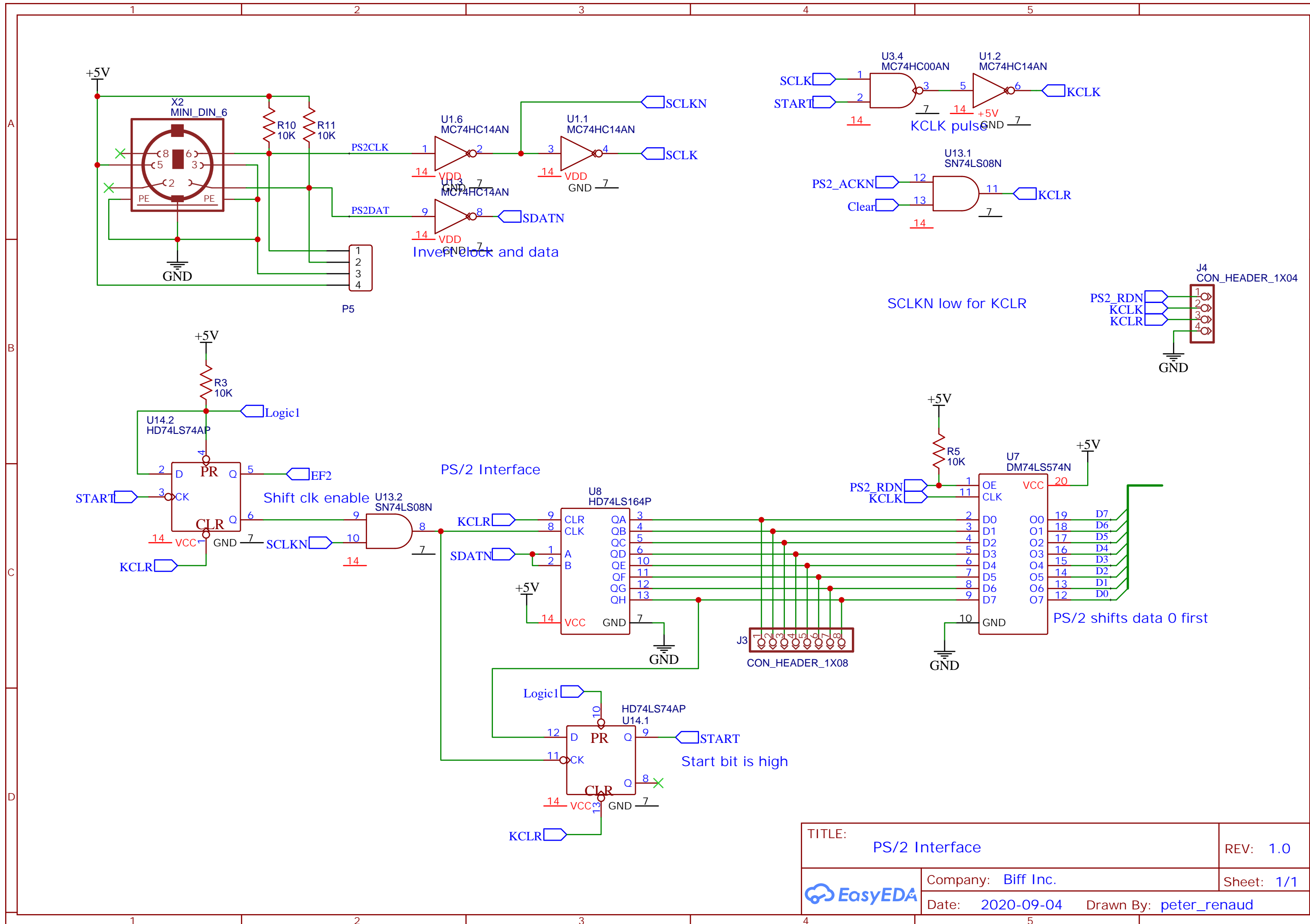
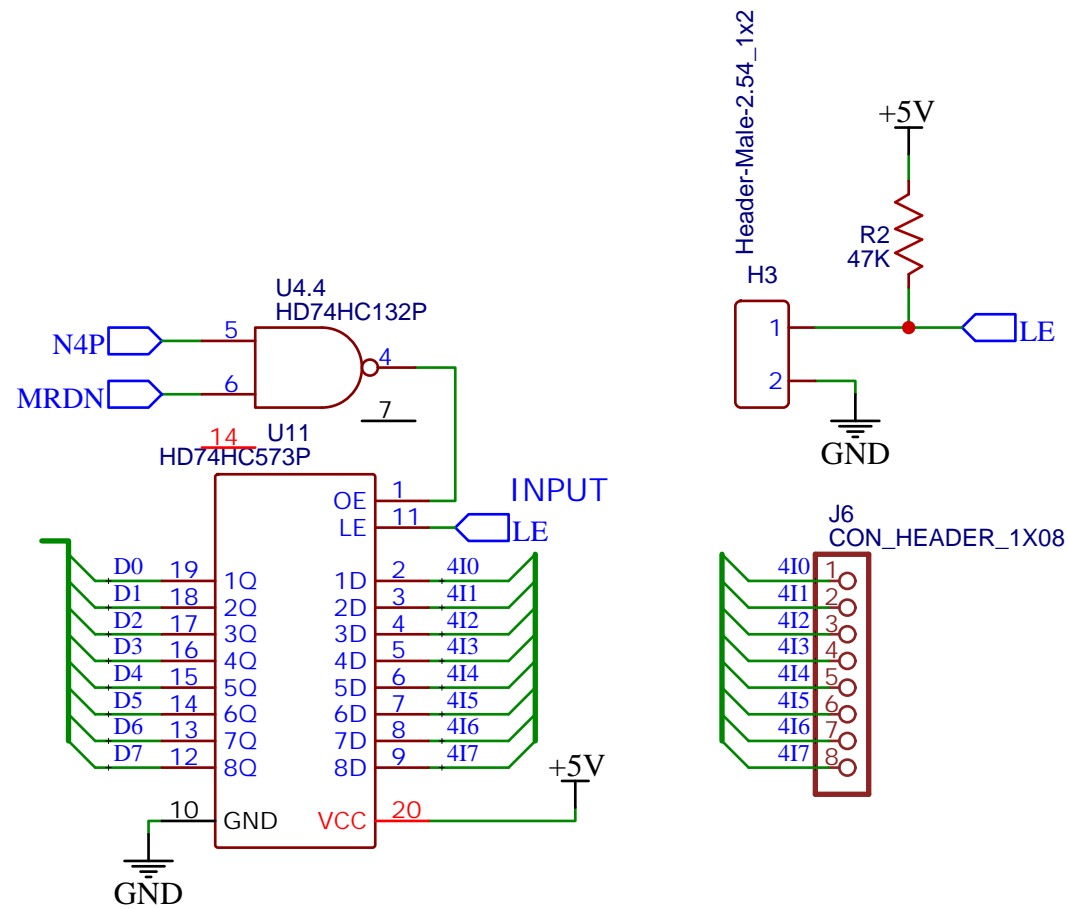
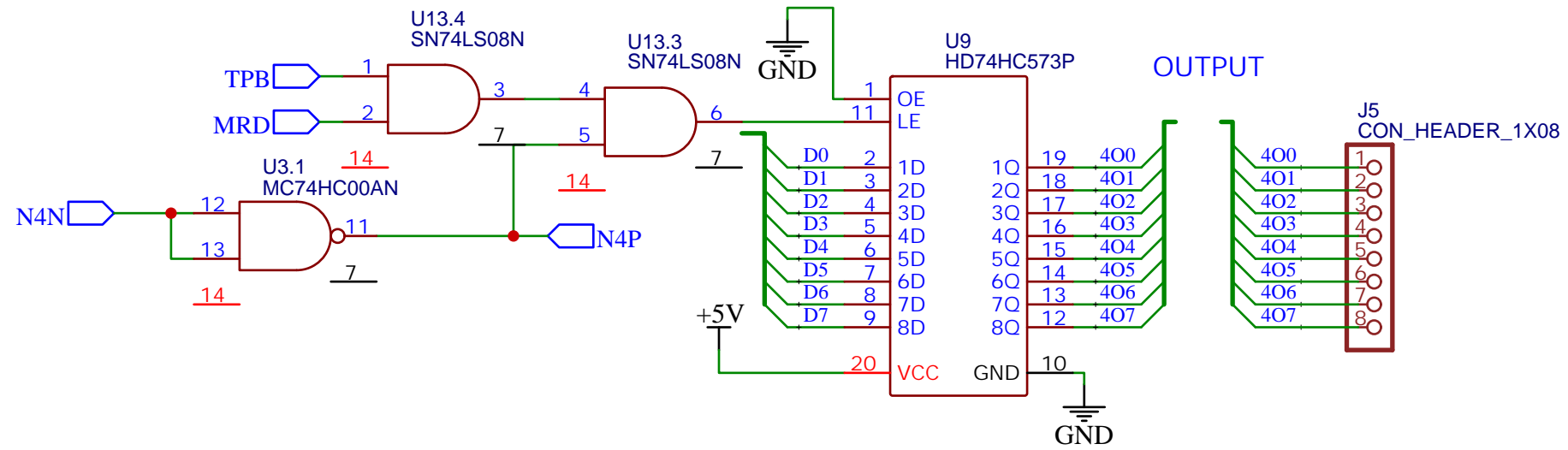


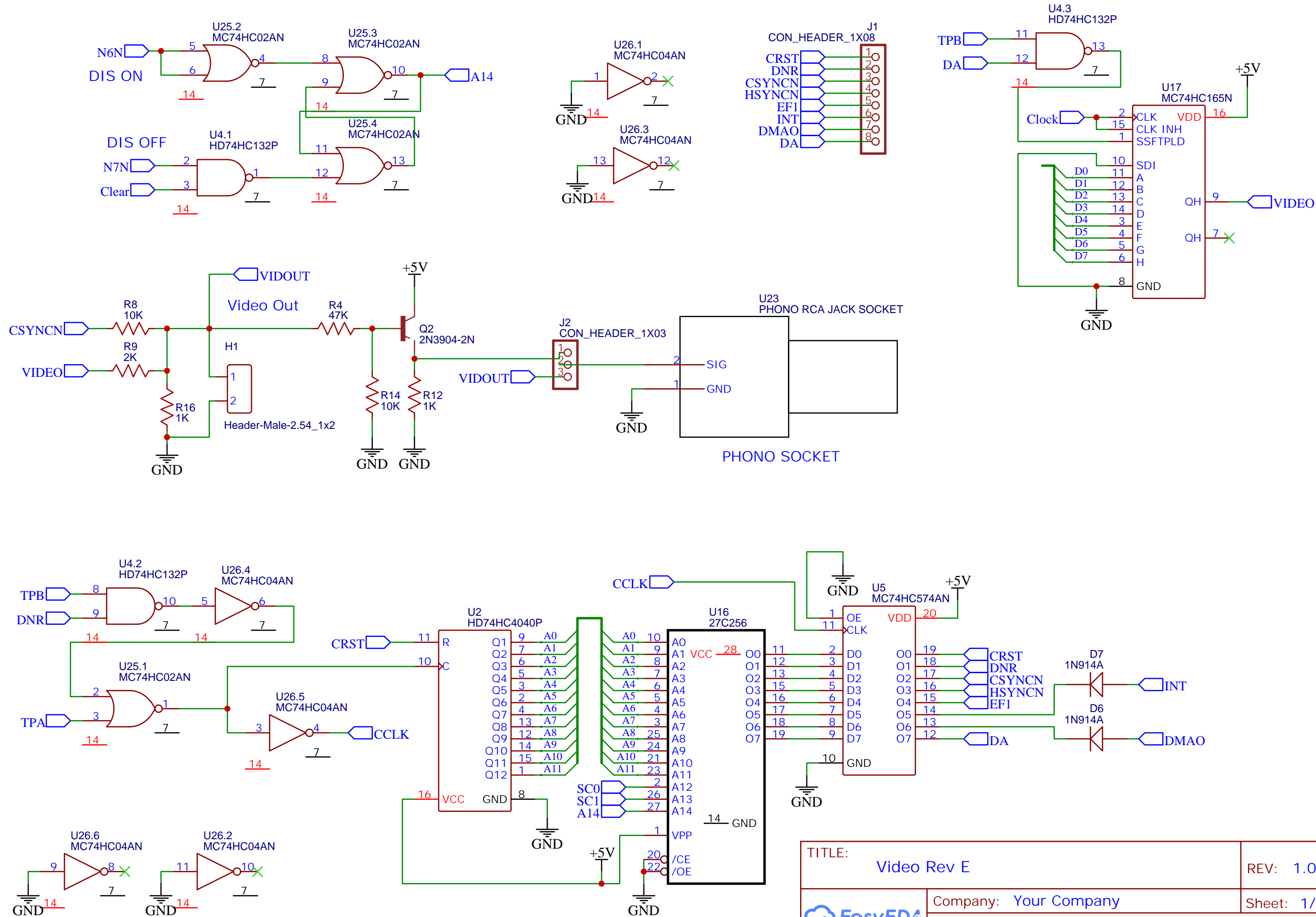
TITLE: SBC 1802 V3 EXP		REV: 1.0
EasyEDA	Company: Biff Inc.	Sheet: 1/1
	Date: 2020-09-04	Drawn By: peter_renaud



TITLE: PS/2 Interface		REV: 1.0
EasyEDA	Company: Biff Inc.	Sheet: 1/1
	Date: 2020-09-04	Drawn By: peter_renaud



TITLE: Input/Output		REV: 1.0
	Company: Biff Inc.	Sheet: 1/1
	Date: 2020-09-08	Drawn By: peter_renaud



TITLE: Video Rev E		REV: 1.0
Company: Your Company		Sheet: 1/1
Date: 2020-09-11		Drawn By: peter_renaud

