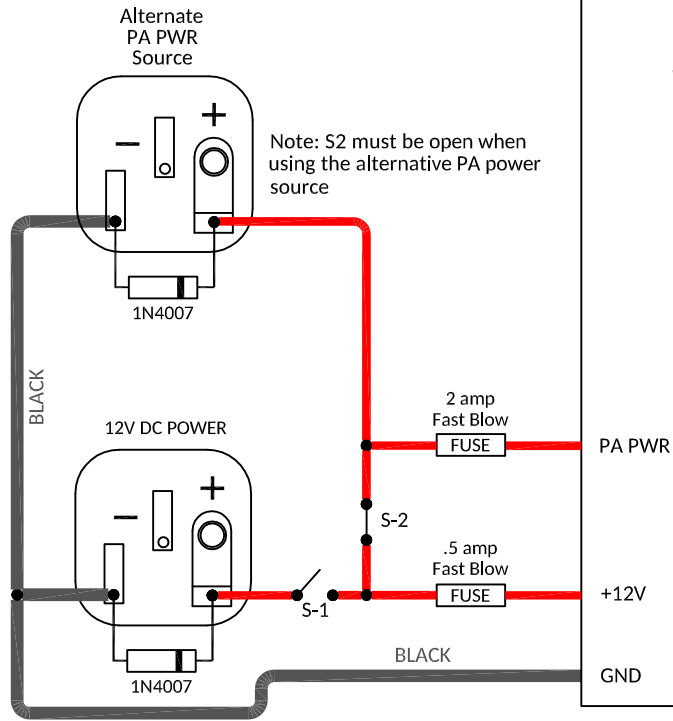


NOTES:

1. uBitx board should be grounded if using a metal case or a common ground for plastic case.
2. IRF510 tabs have DC voltage & SHOULD NOT be grounded to metal box (if used).
3. Rotary encoder, audio & keyer jack wires should be twisted & kept as short as possible. If using a metal case, jack GROUND wires can be omitted. The SLEEVE is grounded to the case.
4. The LCD display can be mounted away from Arduino using a male/female connecting cable, however keep wires as short as possible.
5. DC power wires should be twisted. The negative (BLACK) wire should be larger wire size.
6. It is better to wire up the uBitx "STOCK" as a starting point. Most modifications should only be performed once your uBitx is functioning.



uBITX

This wire-up should be used as a guide. It is the builder's responsibility to verify final wire-up.

BE CAREFUL OF GROUND LOOPS

