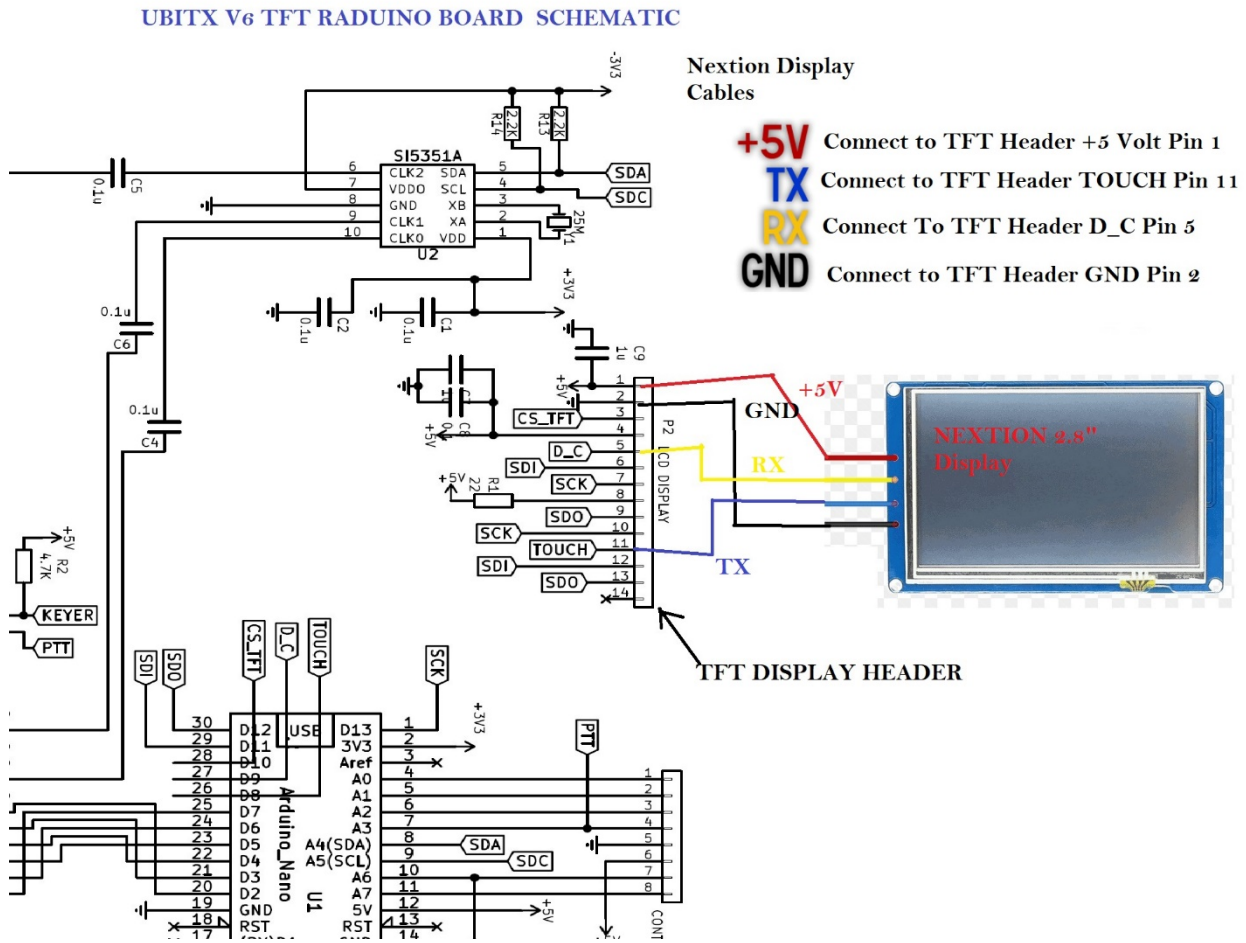


UBITX V6 2.8" NEXTION TFT DISPLAY MODIFICATION

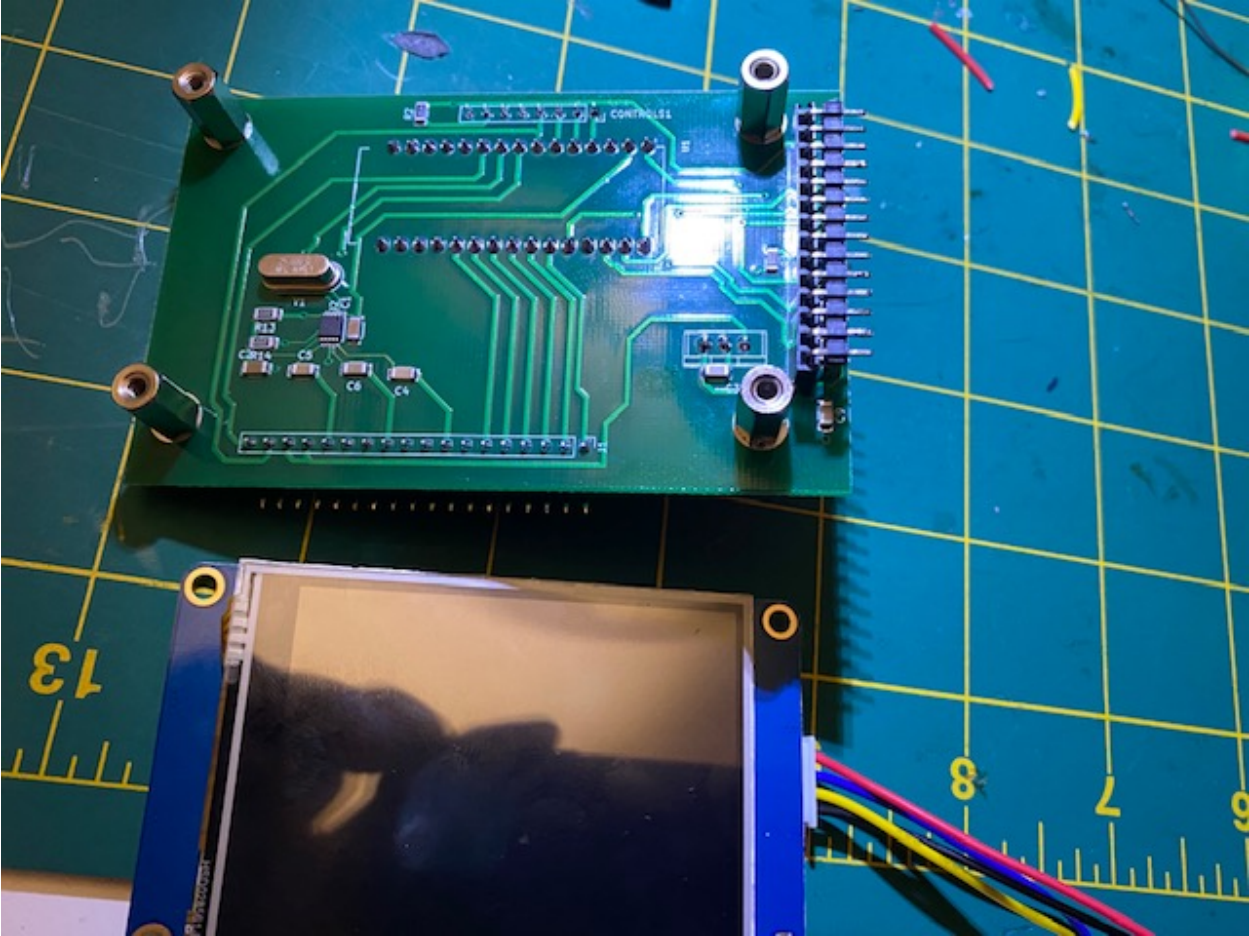
When I received my UBITX V6 from HF signals first thing I noticed was the slow display refresh rate. Also my encoder skipped frequency when I tried to go fast on tuning. To cure all these problems I installed a nextion display with Ian Lee, KD8CEC's Ubitx5 firmware and it worked.

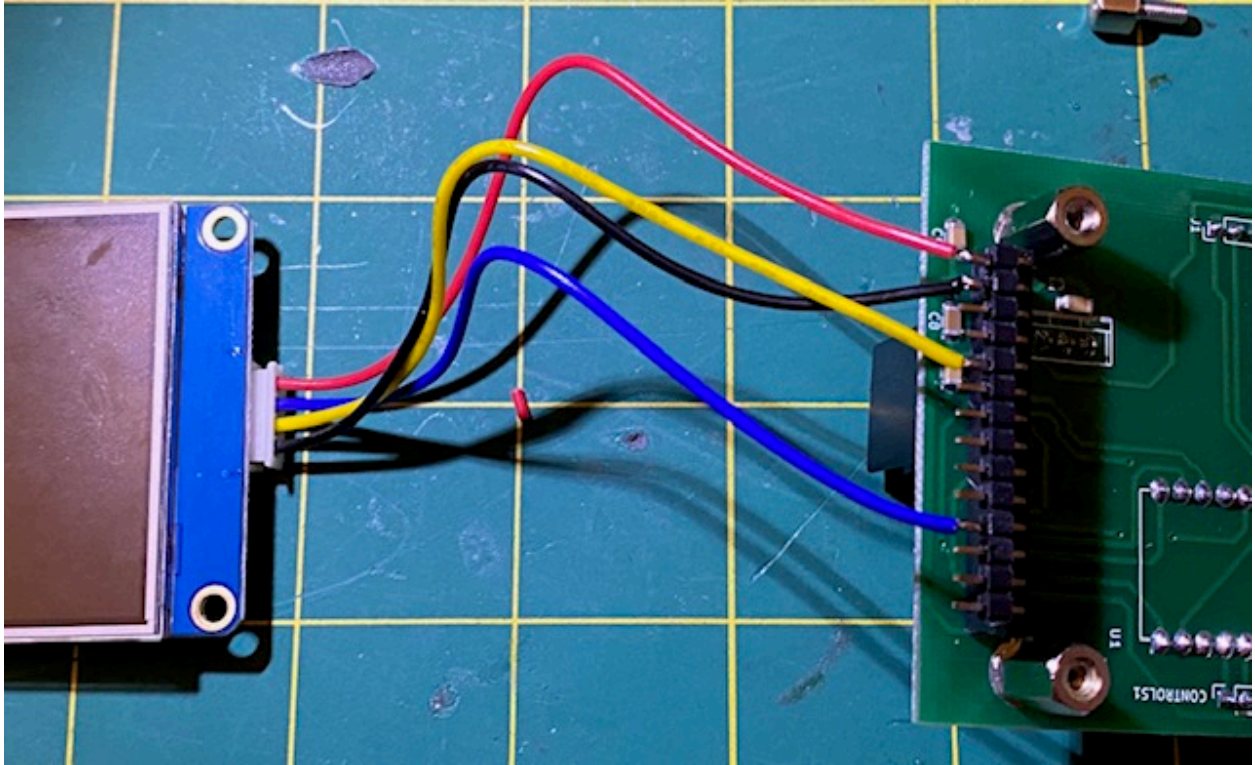
So here is the modification procedure to install a nextion 2.8" display to Ubitx V6:



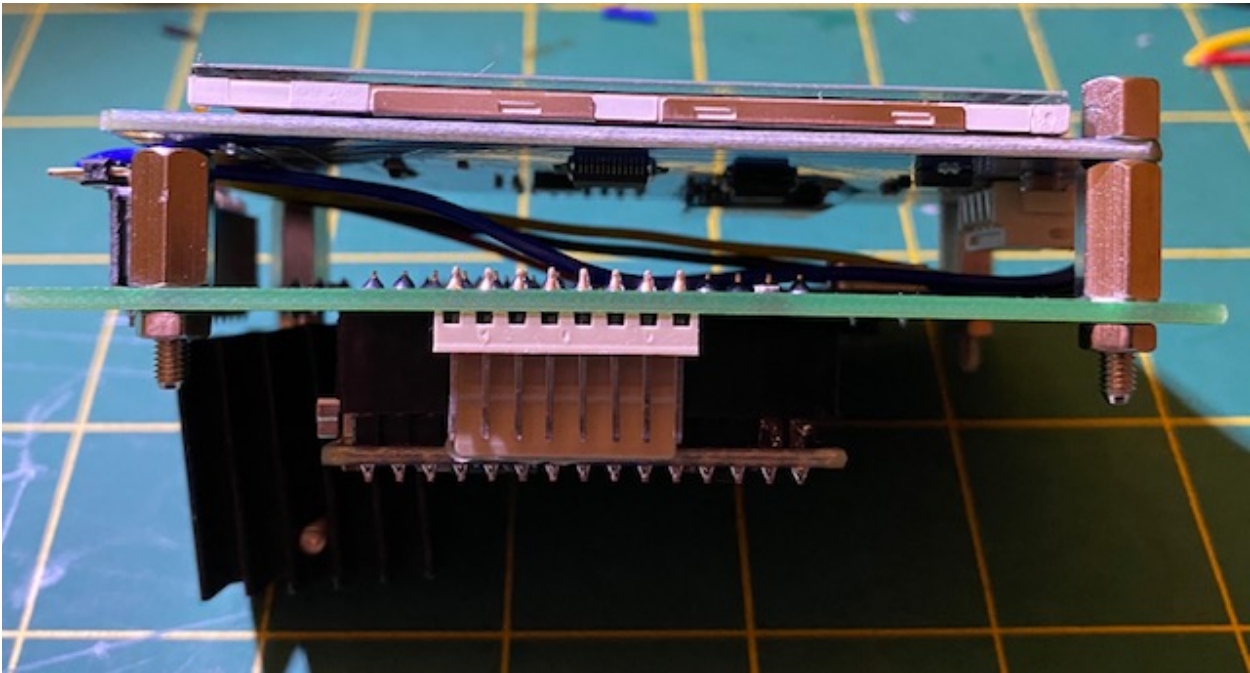
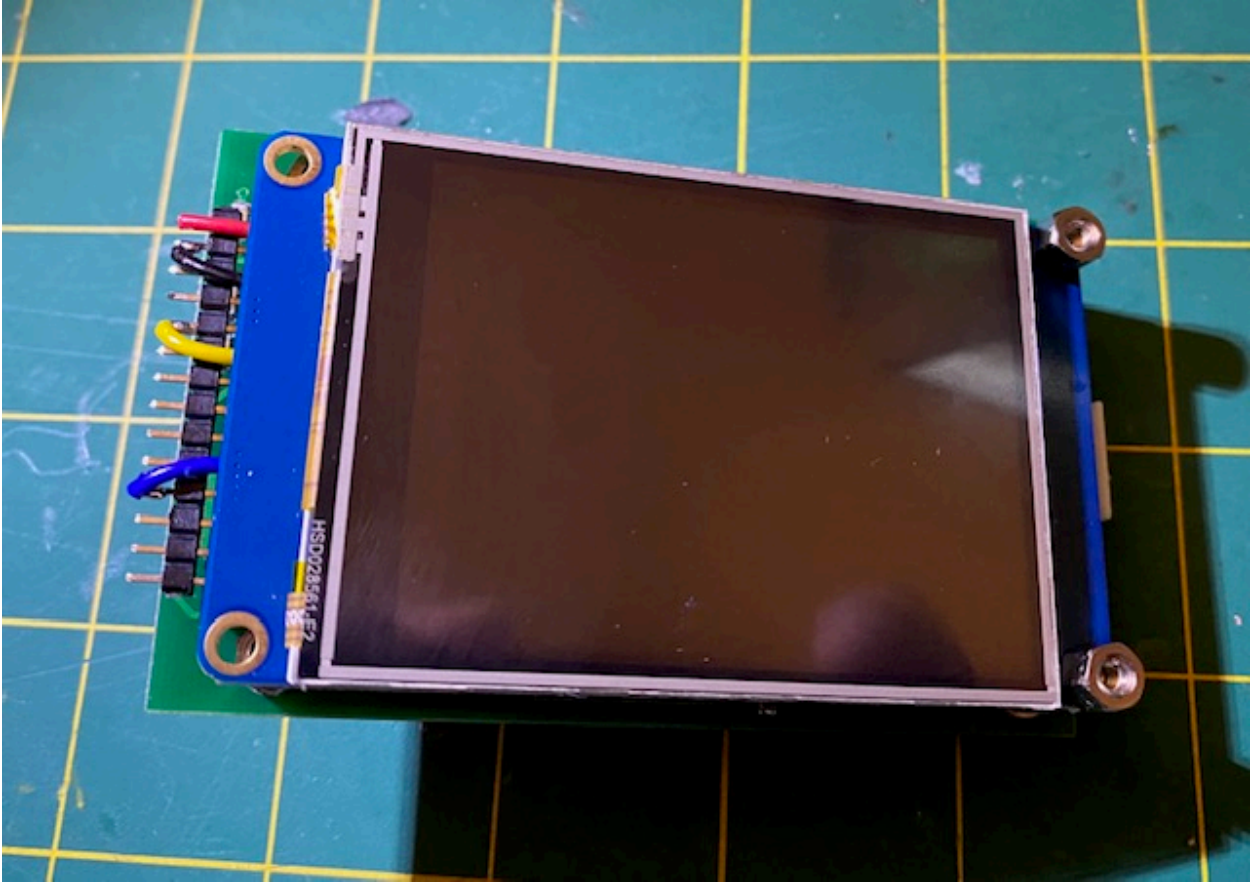
1- I removed the stock TFT and replaced with Nextion 2.8" TFT display.

To make the necessary connections between Nextion LCD and Raduino TFT board I used a 90 degree male header, pins attached to TFT LCD female header





- 2- I cut the Nextion LCD cables just long enough to fold under the display towards the far side of raduino board.



After soldering the header pin connections flip the display leaving the connection cables under the display and then screw it only to the left side spacers(far side of TFT header). Leave the right side (TFT header side) spacers in place. Although we won't be able to screw them on to the display due to misalignment in Nextion Display mounting holes in regards to front panel holes. It will still support the display when we install it to the front panel.



Here is the finished look of my Ubitx V6 after Nextion Display modification.

An important note is to program the display and the Arduino nano with the below outlined firmware before going on with the modification installation. Otherwise it will be hard to carry on the firmware upload to nextion display as the sd card reader will be hard to access.

For firmware I used KD8CEC Ian Lee's CEC Firmware Version 1.2 for Ubitx V5 from below link:

<http://www.hamskey.com/2019/04/release-cec-firmware-v1200-for-ubitx.html>

As Ubitx V6 is apart from a new PCB design and TFT LCD touch Display same as Ubitx V5 and all works fine as it would on a Ubitx V5. The only glitch is mechanical. The right two spacers can't be screwed in as it stands. Two left spacers are holding the display pretty tight though.

After checking all works fine the unscrewed holes can be masked with a black tape for aesthetic purposes.

73's,

WB2CBA – Barbaros Asuroglu – 06/01/2020