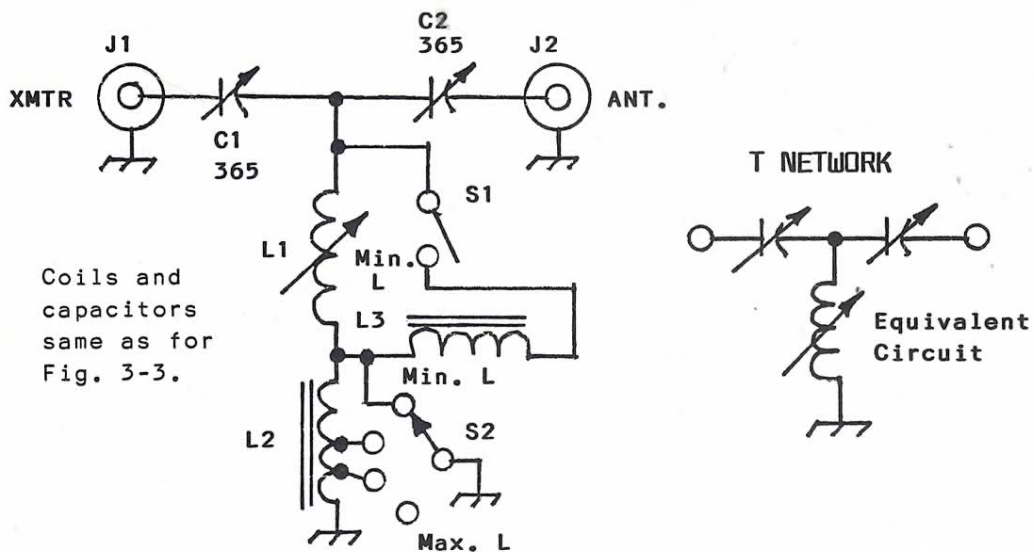


Fig. 3-3

- C1, C2 - See text.  
 L1 -- 5-uH, 10 T no. 20 enam. on 3/8 or 1/2-inch form.  
 L2 -- 1.5 uH. 19 T of no. 24 enam. wire on a T50-6 toroid.  
 L3 -- 12 uH. 46 T of no. 28 enam. wire on a T68-2 toroid. Tap at 15 T from each end.



Coils and capacitors same as for Fig. 3-3.

Fig. 3-4