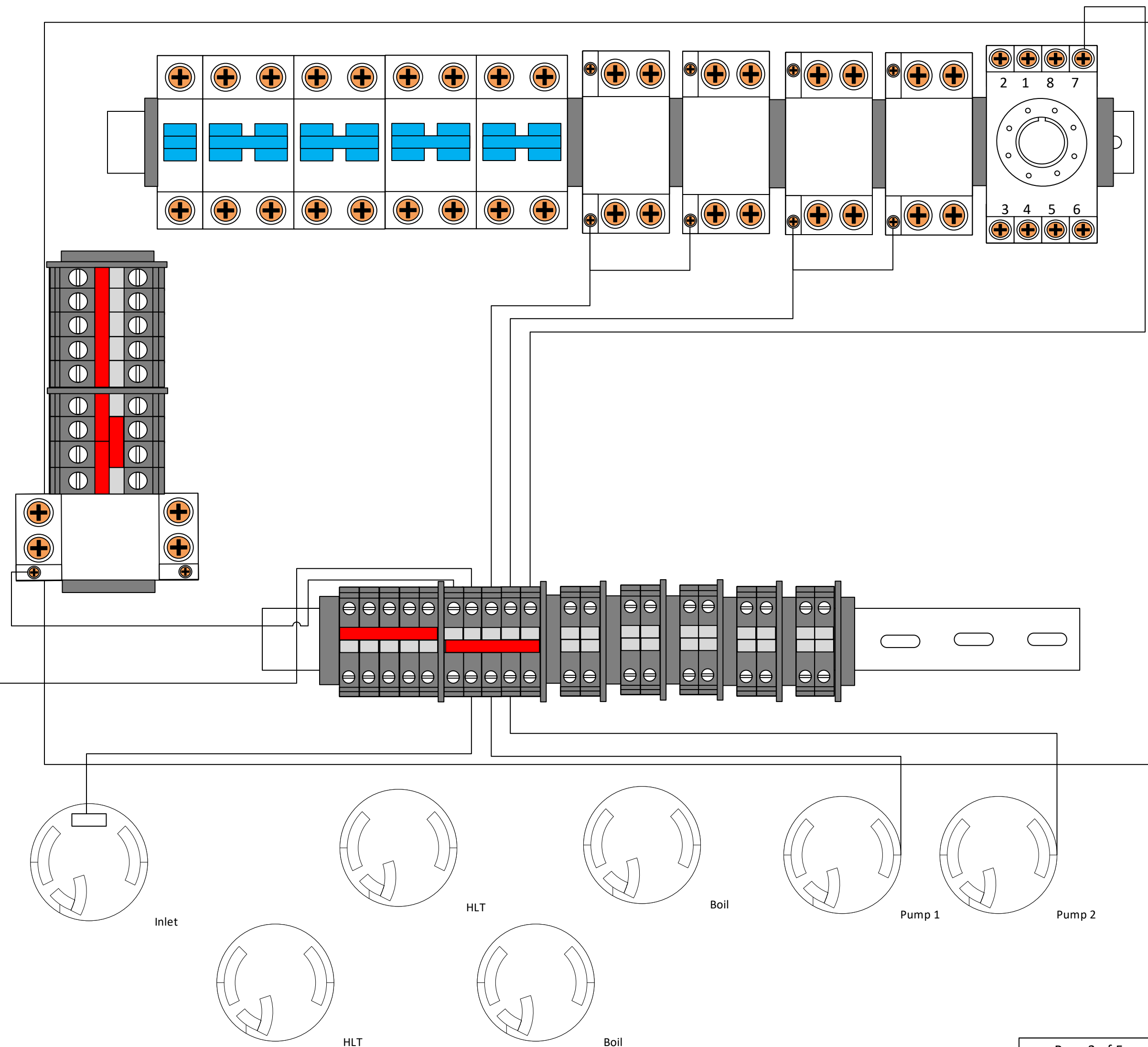
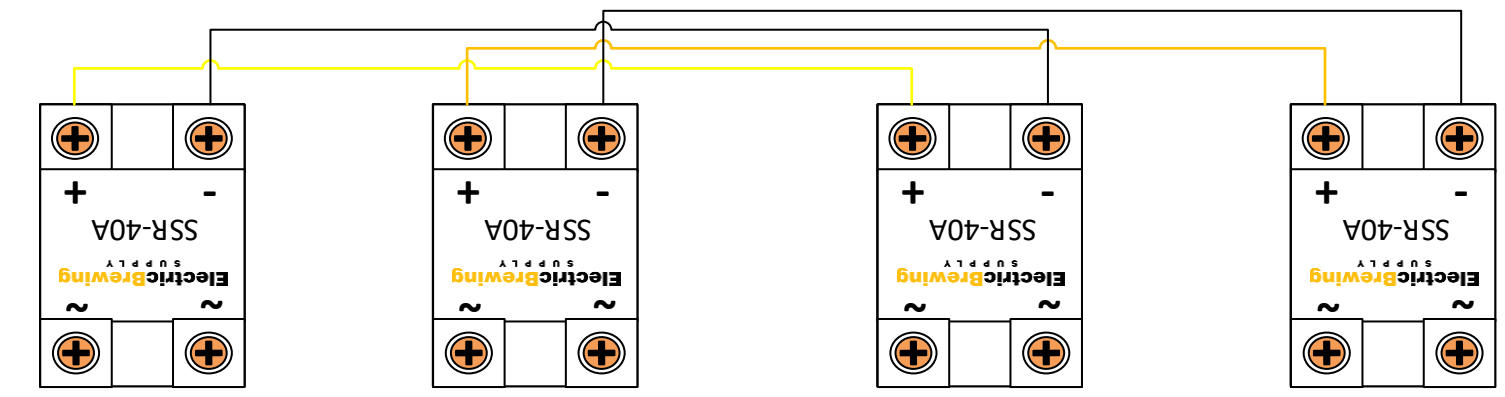
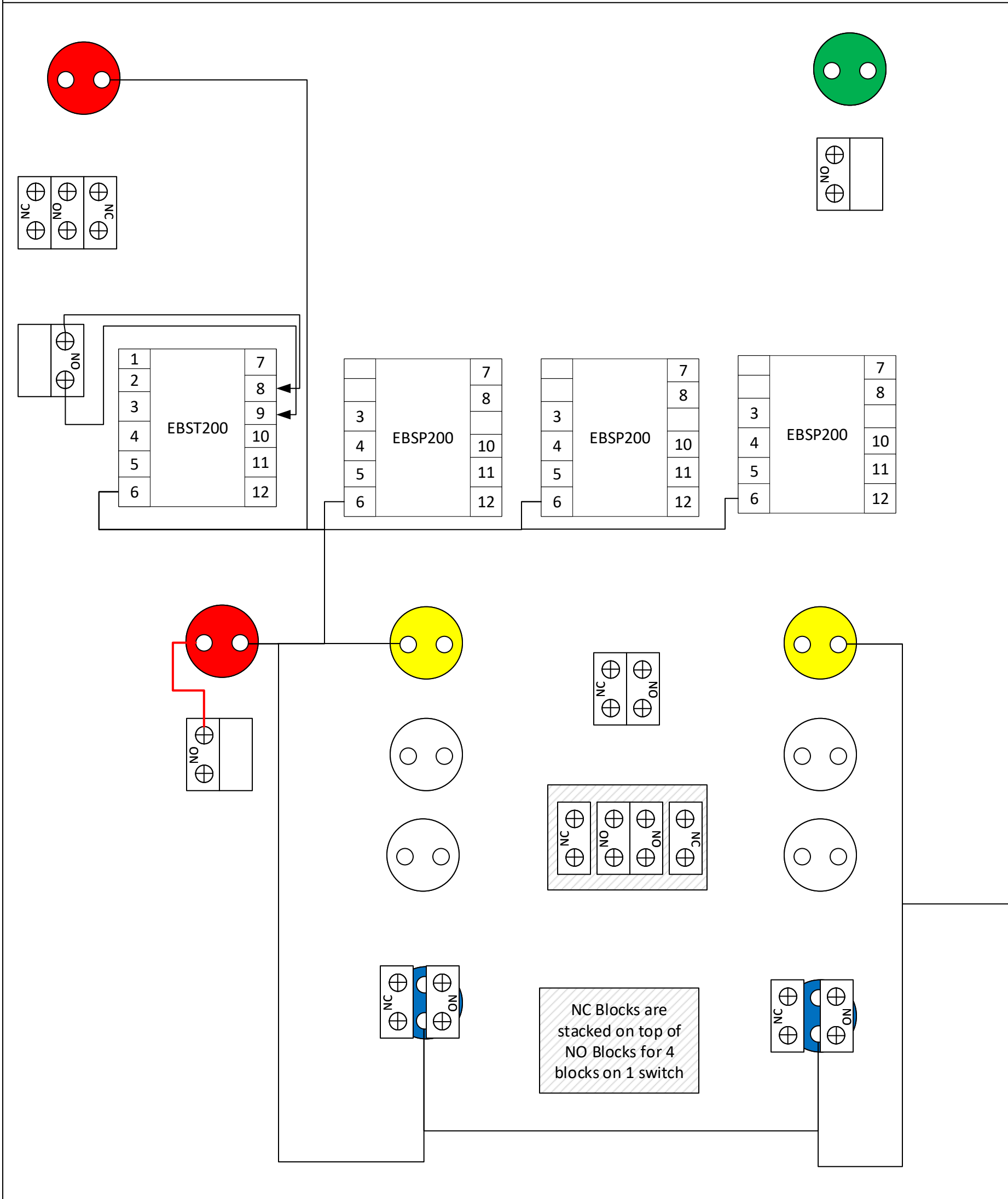
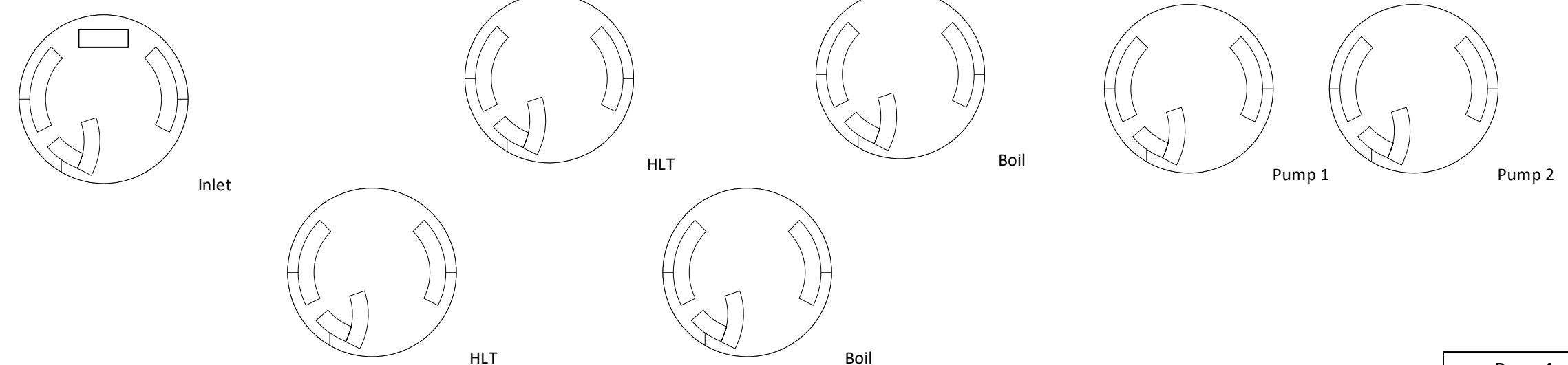
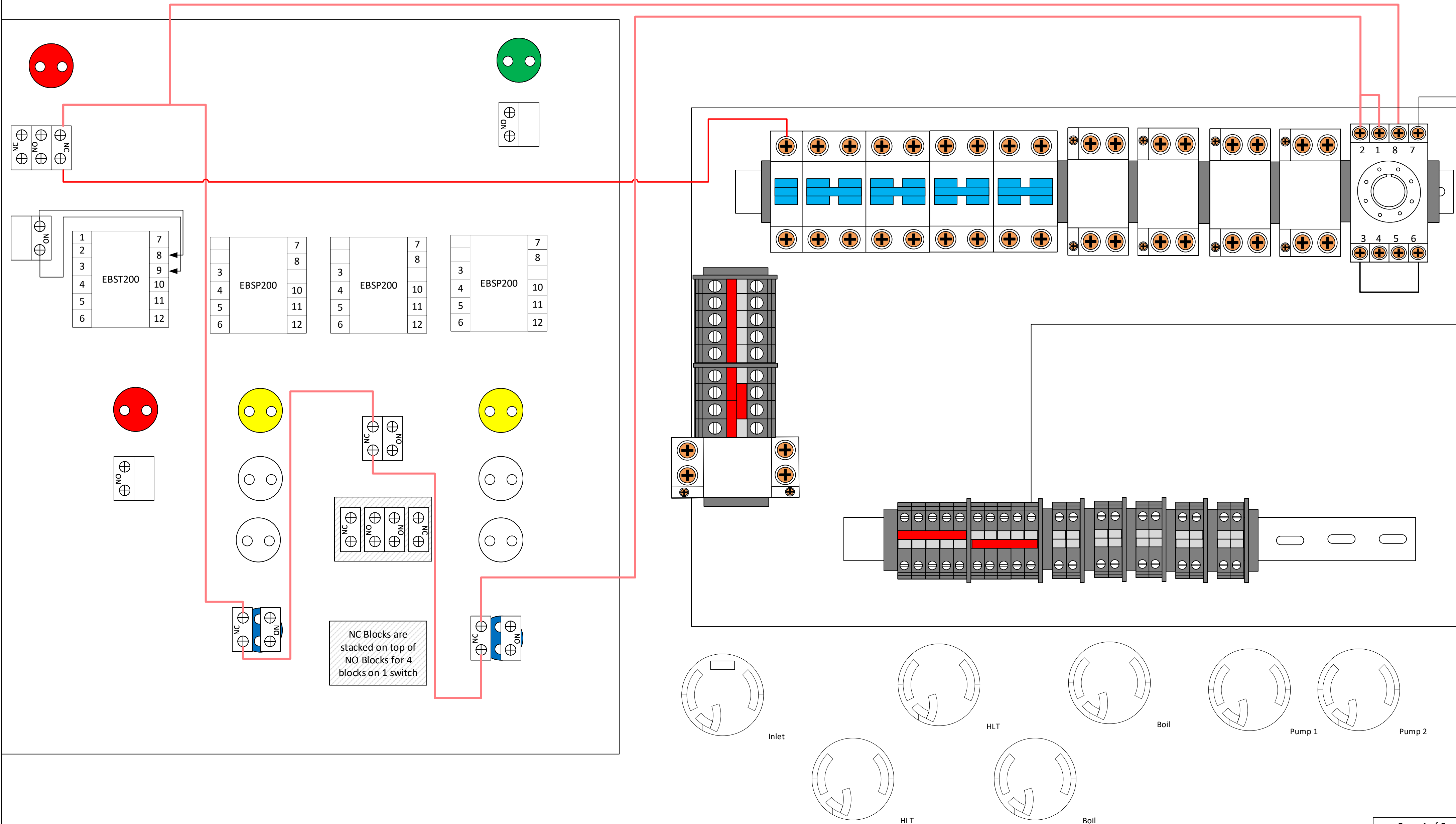
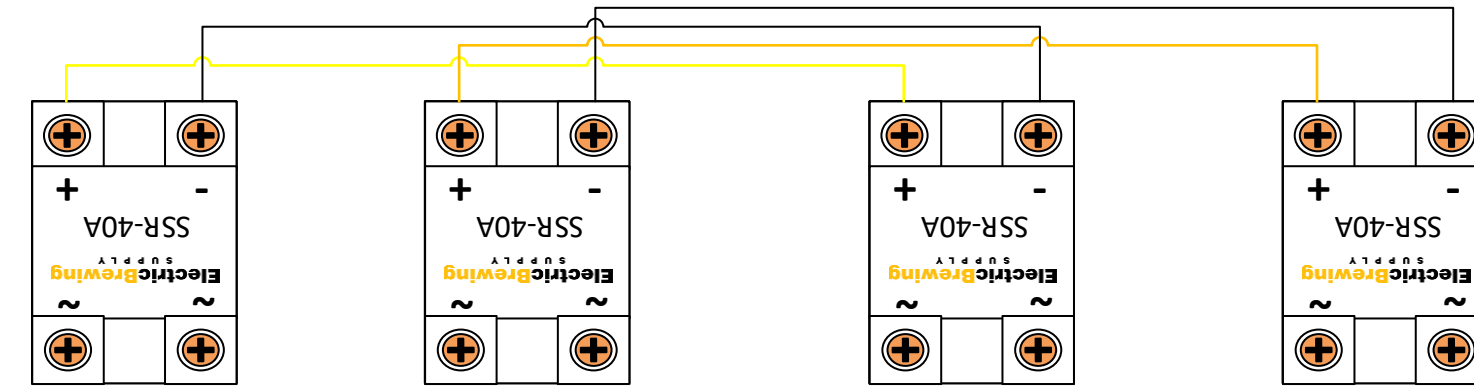
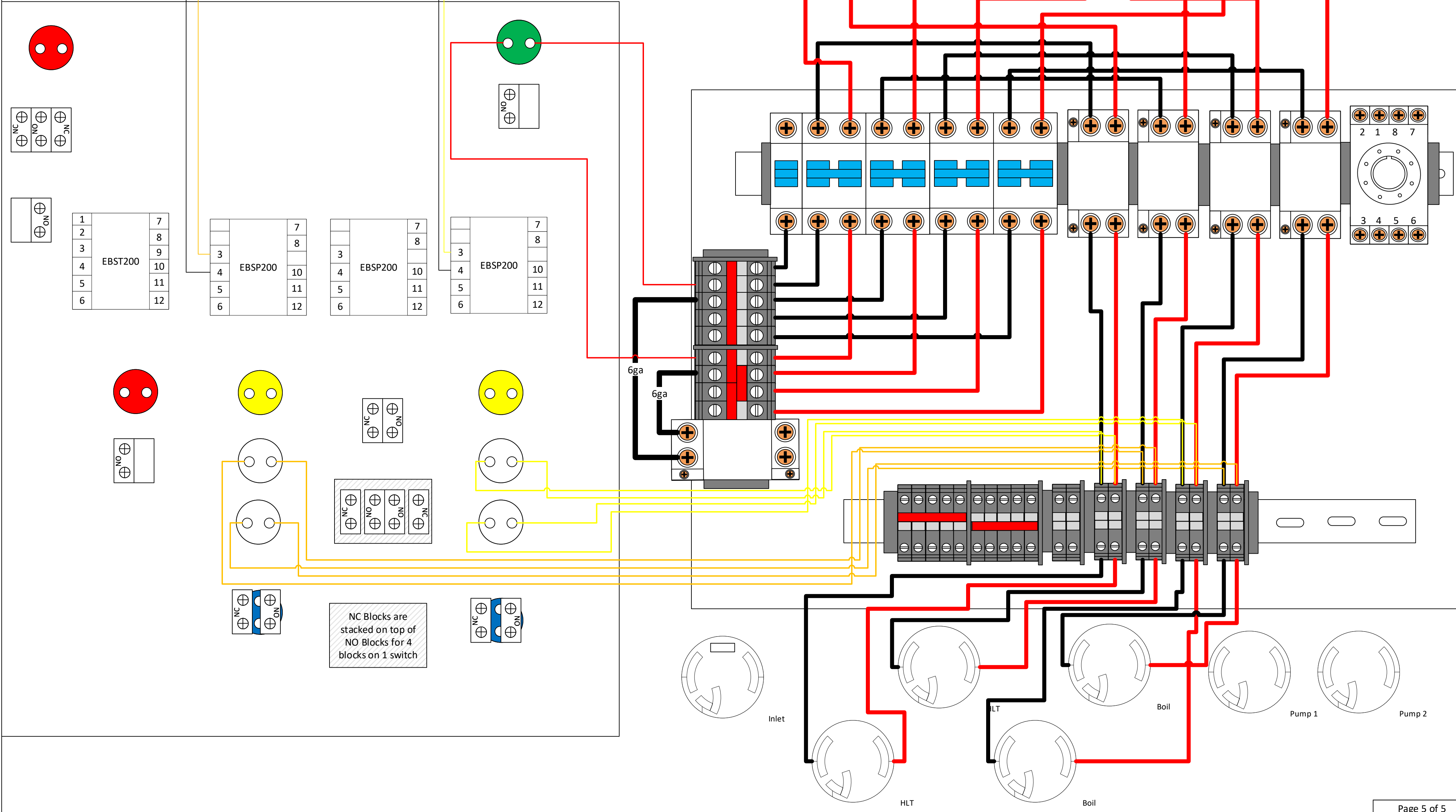


For those with Love LCT timers still:
 PIN5 maps to Pin 4 on the Love
 PIN6 maps to Pin 5 on the Love
 PIN4 maps to Pin 10 on the Love
 PIN3 maps to Pin 15 on the Love
 PIN10 maps to Pin 8 on the Love
 PIN9 maps to Pin 6 on the Love
 You can reference 50a 2 element with Love for more visual information







NC Blocks are stacked on top of NO Blocks for 4 blocks on 1 switch

