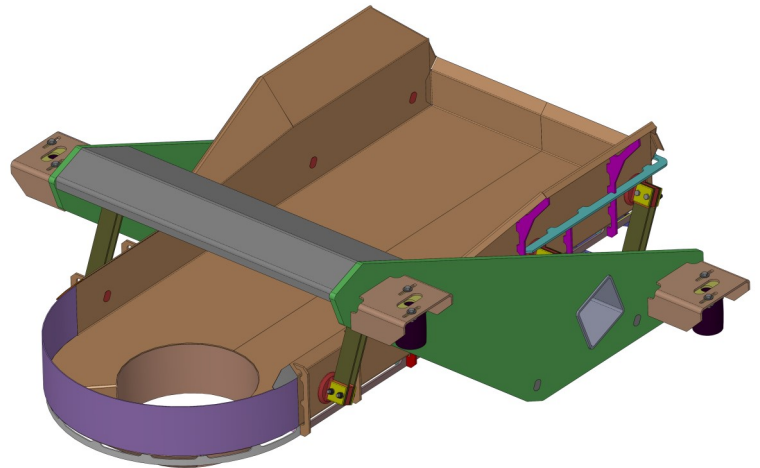


2660 SCALE FEED SHAKER—XB DRIVE, SINGLE DECK

Put Heinzen's Dual Rotary XB-Drive Shaker to work for you! Efficient, Durable, Smooth Operation.

FEATURES

- Efficiently delivers fresh-cut leafy greens to scale systems
- Durable single deck design with 6WL rigidized material
- Custom designed discharge transition contoured to guide product into a scale
- Durable “XB-Drive” natural frequency excited-base design for smooth operation and long life
- Standard mounting configurations for ease of install
- Optional hanger rod support system



OPTIONS/SPECIFICATIONS

- Optional hanging system
- “XB-Drive” natural frequency drive with composite spring shaker arms
- Stainless steel 6WL rigidized
- Isolated roof-mount brackets

PRODUCT APPLICATIONS

- Lettuce
- Spring Mix
- Cabbage
- Spinach

STANDARD SIZES

- 30" X 60" ~4,000pph (depending in product bulk density)

HEINZEN™

YOUR PARTNER IN FOOD SAFE INNOVATION