

Breville

Breville

Juice Fountain® Classic

Professional Juice Extractor

Breville is a registered trademark of Breville Pty. Ltd.

Breville Customer Service Centre

US Customers

✉ 2851 E. Las Hermanas Street
Rancho Dominguez
CA 90221-5507

☎ Service Centre: 1 (866) BREVILLE

Email askus@brevilleUSA.com

www.brevilleusa.com

Canada Customers

✉ Anglo Canadian
2555, avenue Aviation
Pointe-Claire (Montréal) Québec
H9P 2Z2

☎ Service Centre: 1 (866) BREVILLE

Fax (514) 683-5554

Email askus@breville.ca

www.breville.com

© Copyright. Breville Pty. Ltd. 2005

Due to continual improvements in design or otherwise, the product you purchase may differ slightly from the one illustrated in this booklet.

Model JE900XL Issue 1/05 Packaging Code: AM / CN



PRINTED ON
RECYCLED PAPER

Model

Model JE900XL

	Page
Introduction	3
Breville recommends safety first	4
Know your Breville Juice Fountain	6
Assembling your Breville Juice Fountain	8
Operating your Breville Juice Fountain	11
Disassembling your Breville Juice Fountain	13
Care and cleaning	15
Trouble shooting guide at a glance	17
Tips on juicing	
The inside information on juice	18
Purchasing and storage of fruit and vegetables	18
Preparation of fruit and vegetables	19
The right technique	19
Getting the right blend	20
Using the pulp	20
Fruit and vegetable facts	21
Recipes	23
French	38
Spanish	77



Congratulations

on the purchase of your new Breville Juice Fountain® Professional Juice Extractor

IMPORTANT SAFEGUARDS

We at Breville are very safety conscious. We design and manufacture consumer products with the safety of you, our valued customer foremost in mind. In addition we ask that you exercise a degree of care when using any electrical appliance and adhere to the following precautions:

Read all instructions before operating and save for future reference



- Do not push produce into the feed chute with your fingers. Always use the food pusher provided.
- Do not touch the small cutting blades in the base of the stainless steel filter basket.
- Do not leave the Juice Fountain unattended when in use. Close supervision is necessary when this appliance is being used near children. Do not allow children to use this appliance.
- Always make sure the Juice Fountain is properly and completely assembled before operating. The unit will not turn 'On' unless properly assembled.
- Always use the Juice Fountain on a dry, level surface.
- Always turn the Juice Fountain off then turn off at the power point before disconnecting from the power outlet when not in use or when assembling.
- Regularly inspect the supply cord, plug and actual appliance for any damage. If found damaged in anyway, immediately cease use of the appliance and return the entire appliance to the nearest Breville Service Centre for examination, replacement or repair.
- Do not immerse power cord or motor base in water or any other liquid.
- Do not leave the appliance unattended when in use. Close supervision is necessary when this appliance is near children.
- This appliance is not intended for use by young children or infirm persons without supervision.
- Do not operate any electrical appliance with a damaged cord or plug or after the appliance has malfunctioned or been damaged in any manner. Return the appliance to the nearest authorised Breville Service Centre for examination, adjustment or repair.
- Do not let the cord hang over the edge of a table or counter, or touch hot surfaces or become knotted.
- Do not place this appliance on or near a hot gas or electric burner, or where it could touch a heated oven.
- Always turn 'Off' at the power point and remove cord - if the appliance is left unattended, - if not in use, - before cleaning, - before attempting to move the appliance.
- Any maintenance other than cleaning should be performed at an authorised Breville Service Centre.
- This appliance is for household use only.



EXTRA WIDE FEED CHUTE. DO NOT PLACE HANDS OR FOREIGN OBJECTS DOWN FEED CHUTE. ALWAYS USE THE FOOD PUSHER PROVIDED.

- Do not operate any electrical appliance with a damaged cord or plug or after the appliance has malfunctioned or been damaged in any manner. If damaged, immediately stop use and call Breville Customer Service at 1-866-Breville for examination, adjustment or repair.
- Do not let the cord hang over the edge of a table or counter, or touch hot surfaces or become knotted.
- Do not place this appliance on or near a hot gas or electric burner, or where it could touch a heated oven.
- Always turn 'OFF' at the power point and remove cord
 - if the appliance is left unattended,
 - if not in use,
 - before cleaning,
 - before attempting to move the appliance.
- For any maintenance other than cleaning call 1-866-Breville.
- This appliance is for household use only.



ELECTRIC CORD STATEMENT

YOUR JUICER HAS A SHORT CORD AS A SAFETY PRECAUTION TO PREVENT PERSONAL INJURY OR PROPERTY DAMAGE RESULTING FROM PULLING, TRIPPING OR BECOMING ENTANGLED WITH THE CORD. DO NOT ALLOW CHILDREN TO BE NEAR OR USE THIS APPLIANCE WITHOUT CLOSE ADULT SUPERVISION. IF YOU MUST USE A LONGER CORDSET OR AN EXTENSION CORD WHEN USING APPLIANCE, THE CORD MUST BE ARRANGED SO IT WILL NOT DRAPE OR HANG OVER THE EDGE OF A COUNTERTOP, TABLETOP OR SURFACE AREA WHERE IT CAN BE PULLED ON BY CHILDREN OR TRIPPED OVER. TO PREVENT ELECTRIC SHOCK, PERSONAL INJURY OR FIRE, THE ELECTRICAL RATING OF THE EXTENSION CORD YOU USE MUST BE THE SAME OR MORE THAN THE WATTAGE OF THE APPLIANCE (WATTAGE IS MARKED ON UNDERSIDE OF APPLIANCE).

Your Breville appliance comes with the unique Assist Plug™ conveniently designed with a finger hole in the power plug, for easy and safe removal from the outlet.

Note

- This appliance has a polarized plug (one blade is wider than the other). To reduce the risk of electric shock, this plug is intended to fit into a polarized outlet only one way. If the plug does not fit, contact a qualified electrician. Do not attempt to modify the plug in any way.

SAVE THESE INSTRUCTIONS

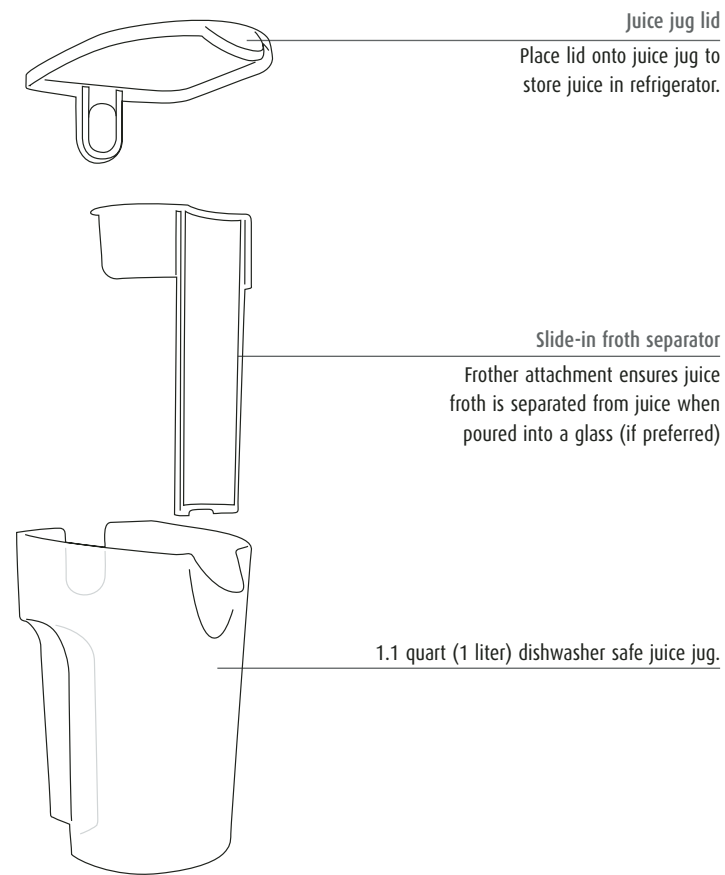
Know your Breville Juice Fountain



Features the unique Breville Assist Plug™. Easier to insert, easier to remove.



1.1 Quart (1 litre) juice jug



To have froth in the juice simply remove the frother attachment before juicing.
Note

Assembling your Breville Juice Fountain

Step 1

Place filter bowl surround on top of the motor base.

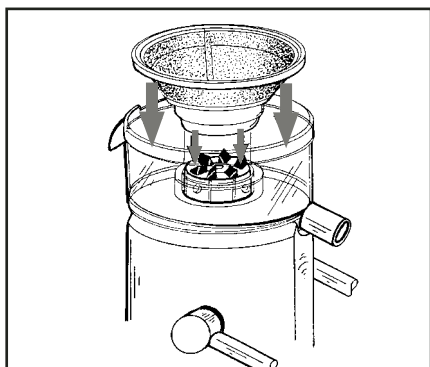


Step 2

Sit the Stainless Steel Filter Basket inside the Filter Bowl Surround.

Before switching the juicer on ensure the stainless steel filter basket is pushed down firmly until it clicks into place.

Note



Step 3

Place the juicer cover over the filter bowl surround, positioning the feed chute over the stainless steel filter basket and lower into position.



Step 4

Raise the Safety Locking Arm up into the vertical operating position. (Please see 4A.)

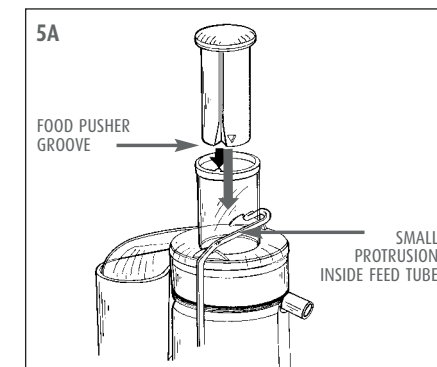


Next locate the Locking Arm into the two grooves on either side of the Juice Cover. (Please see 4B.)

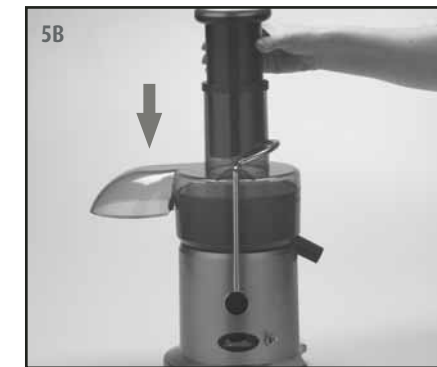


Step 5

Slide the Food Pusher down the Feed chute by aligning the groove in the Food Pusher with the small protrusion on the inside of the top of the Feed Tube. (Please see 5A.)



Continue to slide the food pusher down the feed chute. (Please see 5B.)



Step 6

Place the Pulp Container into position by tilting the pulp container slightly.

To minimize washing up we suggest you place a plastic freezer bag (or plastic grocery bag) into the pulp container to collect the pulp. The bag may also prevent pulp from spitting out of the pulp container. (Please see page 11.)

That's the idea™



Step 7

Place the juice jug provided under the spout on the right hand side of the Juice Fountain.

A glass could also be used to collect the juice.

Note



Step 1

Wash your selection of fruit and vegetables ready for juicing.

Most fruit and vegetables such as apples, carrots and cucumbers will not need to be cut to size as these will fit into the feed chute whole. When juicing carrots place the tip of the carrot into the feed chute last.

Note

Step 2

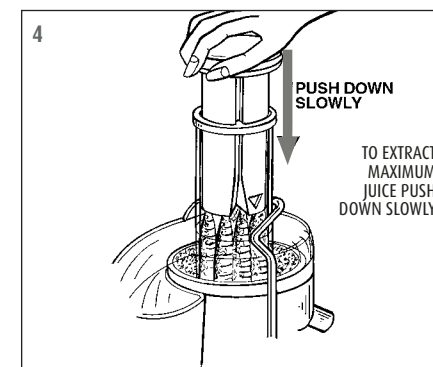
Ensure the Juice Fountain is correctly assembled. (See pages 7, 8 and 9.) Ensure you place the juice jug under the spout while juicing.

Step 3

Plug the power cord into a power outlet and turn the power 'ON'. Turn the 'ON/OFF' switch on the Juice Fountain down to the 'ON' position to start the Juicer operating.

Step 4

With the motor running, place food into the feed chute. Using the food pusher, gently guide food down the feed chute. To extract the maximum amount of juice, always push the food pusher down slowly.



Step 5

Juice will flow into the juice jug and the separated pulp will accumulate in the Pulp Container.

The Pulp Container can be emptied during juicing by turning the Juice Fountain 'OFF' and then carefully removing the Pulp Container. (Replace empty Pulp Container before continuing to juice.)

Note



NEVER USE FINGERS TO PUSH FOOD DOWN THE FEED CHUTE OR TO CLEAR THE FEED CHUTE. ALWAYS USE THE FOOD PUSHER PROVIDED.

Hint:

To minimize washing up we suggest you place a plastic freezer bag (or plastic grocery bag) into the Pulp Container to collect the pulp. When the juicing is completed simply place the bag containing the pulp into a bin. The bag may also prevent pulp from spitting out of the pulp container. (Refer to page 19 for ideas on 'Using the pulp'.)



Do not allow the Pulp Container to overfill as this may prevent correct operation or damage the unit.

Note

Clean up tip:

For easy cleaning immediately after each use rinse Juice Fountain removable parts under running water (to remove wet sticky pulp). Then allow to air dry.

Step 1

Turn Juice Fountain 'OFF' at the power outlet and unplug.

Step 2

Remove the Pulp Container by tilting the Container slightly.



Step 3

Place both hands on either side of the Locking Arm, lift arm upwards slightly and pull back.



Step 4

Move the locking arm down.



Step 5

Lift off the Cover.



THE STAINLESS STEEL FILTER BASKET CONTAIN, SMALL SHARP BLADES TO CUT AND PROCESS FRUITS AND VEGETABLES.

DO NOT TOUCH BLADES WHEN HANDLING THE FILTER BASKET.

Step 6

To remove Stainless Steel Filter Basket, hold base of juicer and turn Filter Bowl surround by the juice spout.



Step 7

Lift off the Filter Bowl surround with the Stainless Steel Filter Basket still in place.



Step 8

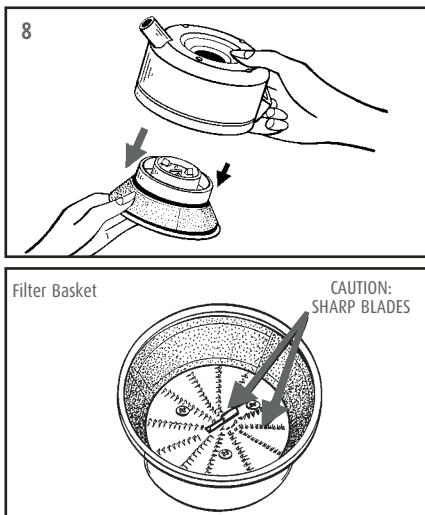
To remove the Stainless Steel Filter Basket, turn the Filter Bowl Surround upside down and carefully remove the Filter Basket. (It is recommended to remove Filter Basket over a sink or bin.)

The inside information on juice

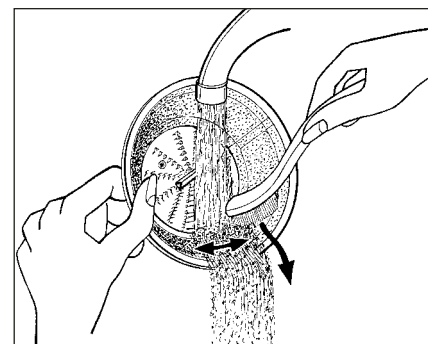
Although the juice drinks contained in this booklet were developed with flavor, texture and aroma at the forefront, the health benefits certainly add to the pleasurable taste experience. 95% of the nutrient content of fruit and vegetables is found in the juice.

Liquids extracted from fresh fruits and vegetables form an important part of a well-balanced healthy diet. Fresh fruit and vegetable juices are an easy to make source of vitamins and minerals. Juices are rapidly absorbed into the blood stream therefore being the quickest way in which the body can digest nutrients.

When you make your own juices, you have complete control over what you include in them. You select the ingredients and decide if you need to use sugar, salt or other flavoring agents. Freshly extracted juices should be drunk just after they have been made to avoid a loss of vitamin content.



- For easy cleaning - immediately after each use rinse removable parts under running water (to remove wet pulp). Allow parts to air dry.
- After disassembling the unit (see page 12) all removable parts may be washed in hot soapy water.
- The Juice Fountain Juice Cover, filter bowl surround, pulp container and 1 liter juice jug are dishwasher safe. (Top shelf only.)
- Wipe the Motor Base with a damp cloth.
- Before washing juice jug, remove froth attachment and rinse under running water. Do not place froth attachment into dishwasher.



- A nylon washing up brush is the most effective when cleaning the Filter Basket. Using a nylon washing up brush, hold the Filter Basket under running water and brush from the inside of the basket out. Always treat the Filter Basket with care as it can be easily damaged.

- Discoloration of the plastic may occur with strongly colored fruit and vegetables. To help prevent this, wash parts immediately after use.

If discoloration does occur the plastic parts can be soaked in bleach and water. Use 1 tablespoon (20ml) bleach to 1 quart (1 liter) of water, soak plastic parts for a maximum of 5 minutes, then rinse thoroughly.

Do not soak the Filter Basket in bleach.



DO NOT IMMERSE THE MOTOR BASE IN WATER OR ANY OTHER LIQUID.

THE CENTER OF THE FILTER BASKET AND FEED CHUTE CONTAIN SMALL SHARP BLADES TO PROCESS FRUIT AND VEGETABLES DURING THE JUICING FUNCTION. DO NOT TOUCH BLADES WHEN HANDLING THE FILTER BASKET OR FEED CHUTE.

Hint:

To minimize washing up place a freezer bag (or plastic grocery bag) into the Pulp Container to collect the pulp. When Juicing is completed simply place the bag containing the pulp into a bin. (Refer page 19 for 'Ideas on Using the Pulp'.)

To assist with cleaning soak the Stainless Steel Filter Basket in hot soapy water for approx. 10 minutes immediately after juicing is completed. If pulp is left to dry on the filter it may clog the fine pores of the filter mesh thereby lessening the effectiveness of the Juicer.

That's the idea™

For your convenience a nylon cleaning brush has been included with your Juice Fountain.

That's the idea™

Possible problem	Easy solution
Machine will not work when switched 'ON'	The Safety Locking Arm is possibly not correctly engaged in the vertical operating position with the locking arm located into the two grooves on either side of the Juice Cover (see picture on page 9, step 4A & 4B).
Motor appears to stall when juicing	Wet pulp can build up under the cover if the juicing action is too vigorous. Try slower juicing action by pushing the food pusher down more slowly (refer page 9 step 4).
Excess pulp building up in the micro mesh filter basket	Stop the juicing process. Remove the juicer cover, scrape off pulp. Re-assemble and begin juicing again. Try alternating (soft and hard) vegetable and fruit varieties.
Pulp too wet and reduced extracted juice	Try a slower juicing action. Remove Mesh Filter Basket and clean mesh walls with a fine brush in a solution of 70% water plus 30% bleach. This will remove excess fiber build up (from fruit or vegetables) which could be inhibiting the juice flow.
Juice leaks between the rim of the juicer cover and the filter	Try a slower juicing action by pushing the food pusher down more slowly (refer page 9 step 4). Fruit and vegetables with Watermelon is not recommended in the Juice Fountain due to high water content.
Bowl surround juice sprays out from spout	Try a slower juicing action by pushing the food pusher down more slowly (refer page 9 step 4).

The inside information on juicing

Although the juice drinks contained in this booklet were developed with flavour, texture and aroma at the forefront, the health benefits certainly add to the pleasurable taste experience.

95% of the nutrient content of fruit and vegetables is found in the juice. Liquids extracted from fresh fruits and vegetables from an important part of a well-balanced healthy diet. Fresh fruit and vegetable juices are an easy to make source of vitamins and minerals. Juices are rapidly absorbed into the blood stream therefore being the quickest way in which the body can digest nutrients.

When you make your own juices, you have complete control over what you include in them. You select the ingredients and decide if you need to use sugar, salt or other flavouring agents.

Freshly extracted juices should be consumed just after they have been made to avoid a loss of vitamin content.

Purchasing and storage of fruit and vegetables

- Always wash fruit and vegetables before juicing.
- Always use fresh fruit and vegetables for juicing.
- To save money and obtain fresher produce, purchase fruit or vegetables that are in season (see the Fruit and Vegetable Facts chart on pages 21 and 22).
- Due to the high water content found in watermelon, it is not recommended that watermelon be juiced in the Juice Fountain.
- Keep your fruit and vegetables always ready for juicing by washing them before storing.

- Most fruits and hardier type vegetables can be stored at cool room temperature. The more delicate and perishable items such as tomatoes, berries, leafy greens, celery, cucumbers and herbs should be stored in the refrigerator until required.

Preparation of fruit and vegetables

- If using fruits with hard or inedible skins such as mangoes, guava, melons or pineapple, always peel before juicing.
- Citrus fruit can be juiced in the Juice Fountain if peeled first.
- All fruits with pits, hard seeds or stones such as nectarines, peaches, mangoes, apricots, plums and cherries must be pitted before juicing.
- A small amount of lemon juice can be added to apple juice to prohibit browning.

Your Juice Fountain makes invigorating, frothy orange juice. Simply peel the oranges and juice. (Best to refrigerate oranges before juicing).

That's the idea™

The right technique

When juicing a variety of different ingredients of varying textures, best results are gained by alternating harder ingredients with softer ones. For example, when juicing two hard vegetables such as carrots and parsnips and a softer type, such as tomatoes, start with the parsnips, then the tomato, finishing with the carrots. By alternating between soft and hard vegetables in this manner, it assists by cleaning the stainless steel filter basket between the vegetables. This enables the Juicer to extract the maximum amount of juice from each vegetable.

If you are using herbs, sprouts or small leafy greens it is a good idea to wrap them in a large lettuce or spinach leaf or place them through the Feed Chute between pieces of firmer vegetable.

All fruit and vegetables produce different amounts of liquids. This varies within the same group i.e. one batch of tomatoes can produce more juice than another batch. Since juice recipes are not exact, and juicing is not a science, the precise quantities of any juice are not crucial to the success of a particular mixture.

To extract the maximum amount of juice always push the Food Pusher down slowly.

Note

Getting the right blend

It is not difficult to create great tasting juice. If you have been making your own vegetable and fruit juices, then you know how simple it is to invent new combinations. Taste, color, texture and ingredient preferences are a personal thing. Just think of some of your favorite flavors and foods. Would they work well together or would they clash? Some strong flavors could overpower the more subtle flavors of others. It is however, a good rule of thumb to combine starchy, pulpy ingredients with those high in moisture.

Experiment! Any fruit or vegetable that you enjoy can go into your next drink. You may choose to use one fruit to give a predominant flavor and accent it with a hint of another flavor. The choices are limited only by your imagination.

Using the pulp

The remaining pulp left after juicing fruit or vegetables is mostly fiber and cellulose which, like the juice, contains vital nutrients necessary for the daily diet and can be used in many ways. However, like the juice, pulp should be used that day to avoid loss of vitamins.

There are a number of recipes contained in this book for the use of pulp (refer to pages 32 to 35). Apart from these, some of the other uses of pulp are to bulk out rissoles, thicken casseroles or soups or in the case of fruit, simply placed in a bowl topped with meringue and baked for a simple dessert.

Quite apart from the consumption use, pulp is great used in the garden for compost.

Fruit and vegetable facts

Fruit and vegetables	Best season to buy	Storage	Nutritional value	Kilojoule/ calorie count
Apples	Autumn/ Winter	Vented plastic bags in refrigerator	High in Dietary Fibre and Vitamin C	200g Apple =300kj (72 cal)
Apricots	Summer	Unwrapped in crisper of refrigerator	High in Dietary Fibre Contains Potassium	30g Apricot =85kj (20 cal)
Beet	Winter	Cut off tops, then refrigerate unwrapped	Good source Folate and Dietary Fibre Vitamin C and Potassium	160g Beet =190kj (45 cal)
Blueberries	Summer	Cover in the refrigerator	Vitamin C	125g Blueberries =295kj (70 cal)
Broccoli	Autumn/ Winter	Plastic bag in refrigerator	Vitamin C, Folate, B2, B5, E, B6 and Dietary Fibre	100g Broccoli =195kj (23 cal)
Brussels Sprouts	Autumn/ Winter	Unwrapped in crisper of refrigerator	Vitamin C, B2, B6, E, Folate and Dietary Fibre	100g Brussels Sprouts =110kj (26 cal)
Cabbage	Winter	Wrap, trimmed in the refrigerator	Vitamin C, Folate, Potassium B6 and Dietary Fibre	100g Cabbage =110kj (26 cal)
Carrots	Winter	Uncovered in refrigerator	Vitamin A, C, B6 and Dietary Fibre	120g Carrots =125kj (30 cal)
Cauliflower	Autumn/ Winter	Remove outer leaves, store in plastic bag in refrigerator	Vitamin C, B5, B6 Folate Vitamin K and Potassium	100g Cauliflower = 55kj (13 cal)
Celery	Autumn/ Winter	Refrigerate in plastic bag	Vitamin C and Potassium	80g stick =55kj (7 cal)
Cucumber	Summer	Crisper in refrigerator	Vitamin C	280g Cucumber =120kj (29 cal)
Fennel	Winter/ Spring	Crisper in refrigerator	Vitamin C and Dietary Fibre	300g Fennel = 145kj (35 cal)
Grapes	Summer	Plastic bag in refrigerator	Vitamin C, B6 and Potassium	125g Grapes =355kj (85 cal)
Kiwi Fruit	Winter/ Spring	Crisper in refrigerator	Vitamin C and Potassium	100g Kiwi Fruit =100j (40 cal)

Fruit and vegetables	Best season to buy	Storage	Nutritional value	Kilojoule/ calorie count
Mangoes	Summer	Covered in refrigerator	Vitamins A, C, B1, B6 and Potassium	240g Mango =200kj (102 cal)
Melons	Summer/ Autumn	Crisper in refrigerator	Vitamin C, Folate, Dietary Fibre and Vitamin A	200g Melon =210kj (50 cal)
Nectarines	Summer	Crisper in refrigerator	Vitamin C, B3, Potassium and Dietary fibre	180g Nectarines =355kj (85 cal.)
Oranges	Winter/ Autumn/ Spring	Cool, dry place for 1 week, transfer refrigerator keep longer	Vitamin C 35mg/100g	150g Orange = 160kj
Peaches	Summer	Refrigerate uncovered	Vitamin C, B3 Potassium and Dietary Fibre	150g Peach =205kj (49 cal)
Pears	Autumn	Refrigerate uncovered	Dietary Fibre	150g Pear =250kj (60 cal)
Pineapples	Summer	Refrigerate uncovered	Vitamin C	150g Pineapple =245kj (59 cal)
Plums	Summer	Refrigerate uncovered	Dietary Fibre	70g Plums =110kj (26 cal)
Raspberries	Summer	Covered in refrigerator	Vitamin C, Iron, Potassium and Magnesium	125g Raspberries =130kj (31cal)
Tomatoes	Summer	Uncovered in crisper of refrigerator	Vitamin C, Dietary fibre Vitamin E, Folate and Vitamin A	100g Tomatoes =90kj (22 cal)

Your Juice Fountain makes invigorating frothy orange juice. Simply peel the oranges and juice. (Best to refrigerate oranges before juicing)

That's the idea™

Lined area for notes.

Breville

Recipes

Delicious recipes

Includes instructions for use



Fresh starts	25
Vitamin replacers	27
Liquid lunches	28
Icy coolers	30
Spirited juices	32
Energy fuel	33
Fibre favourites	34

Apple, carrot and celery Juice



You may alter the amounts of either the carrots or apple to make the juice sweeter or savoury to suit your taste buds:

- 4 small Granny Smith apples**
- 3 medium sized carrots, trimmed**
- 4 sticks celery**

1. Process apples, carrots and celery through Juice Fountain.

Mix well and serve immediately.

Tomato, carrot, celery and lime juice



- 2 medium tomatoes**
- 1 large carrot, trimmed**
- 2 celery stalks, trimmed**
- 1 lime, peeled**

1. Process tomatoes, carrot, celery and lime through Juice Fountain.

Serve immediately.

Carrot, beet and orange juice



- 2 medium carrots, trimmed**
- 3 medium beet, trimmed**
- 4 oranges, peeled**

1. Process carrots, beet and oranges through Juice Fountain.

Serve immediately.

Apple, peach and grapefruit juice



- 1 small Delicious apple**
- 2 large peaches, halved and seeds removed**
- 2 grapefruits, peeled**

1. Process apple, peaches and grapefruit through Juice Fountain.

Serve immediately.

Pineapple peach and pear juice



- 1/2 small pineapple, peeled and halved**
- 2 peaches, halved and seeds removed**
- 2 small ripe pears**

1. Process pineapple, peaches and pears through Juice Fountain.

Serve immediately.

Apple, pear and strawberry juice



- 1 small **Granny Smith apple**
- 3 small **ripe pears**
- 1 cup **strawberries, trimmed**

1. Process apple, pears and strawberries through Juice Fountain.
Serve immediately.

Cantaloupe, mint and mango juice



- 1/2 small **cantaloupe, peeled, seeded and halved**
- 3 **sprigs fresh mint leaves**
- 1 **mango, halved, seeded and peeled**

1. Process cantaloupe, mint and mango through Juice Fountain.
Serve immediately.

Tomato, cucumber, parsley and carrot juice



- 3 **medium tomatoes**
- 1 **large cucumber**
- 1 **large bunch fresh parsley**
- 3 **medium carrots, trimmed**

1. Process tomatoes, cucumber, parsley and carrots through Juice Fountain.
Serve immediately.

Sweet potato, celery, ginger, and orange juice



- 4 **sticks celery, trimmed**
- 1 **large sweet potato, peeled and halved**
- 2.5cm **piece fresh ginger**
- 4 **oranges, peeled**

1. Process celery, sweet potato, ginger and oranges through Juice Fountain.
Serve immediately.

Parsnip, celery and pear juice



- 2 **parsnips, trimmed**
- 4 **sticks celery, trimmed**
- 4 **medium pears, stalks removed**

1. Process parsnips, celery and pears through Juice Fountain.
Serve immediately.

Tomato, carrot and red bell pepper juice



- 2 **small red bell peppers**
- 3 **medium tomatoes**
- 3 **carrots, trimmed**
- 4 **sprigs parsley**

1. Trim base of bell peppers and remove seeds.
2. Process tomatoes, carrots, parsley and bell peppers through Juice Fountain.
Serve immediately.

Blackberry, pear and grapefruit juice



- 1 **pint basket (250g) blackberries**
- 3 **ripe pears**
- 2 **grapefruits, peeled**

1. Process blackberries, pears and grapefruit through Juice Fountain.
Serve immediately.

Beet, apple and celery juice



- 4 **medium sized beet, trimmed**
- 2 **medium Granny Smith apples**
- 4 **sticks celery**

1. Process beet, apples and celery through Juice Fountain.
Serve immediately.

Blueberry, blackberry, strawberry and lime juice



- 2 **pints (500g) blackberries**
- 2 **pint baskets (500g) blueberries**
- 2 **pint baskets (500g) strawberries, hulled**
- 1 **lime, peeled**

1. Process blackberries, blueberries, strawberries and lime through Juice Fountain.
Serve immediately.

Cucumber, celery, fennel and bean sprout juice



- 1 **large cucumber**
- 3 **sticks celery**
- 1 **bulb fennel, trimmed**
- 2 **cups (200g) bean sprouts**

1. Process cucumber, celery, fennel and bean sprouts through Juice Fountain.
Serve immediately.

Frothy orange juice



- 1 **kg oranges, peeled**

1. Process oranges through juice fountain.
Serve immediately.
(Best to refrigerate oranges before juicing)

Fresh vegetable soup with noodles

MAKES
4 SERVES

1 small tomato
1 small onion, peeled and trimmed
2 carrots
1 green capsicum, base removed and seeded
1 tablespoon butter
1 tablespoon wholemeal flour
1½ cup (375ml) vegetable stock
15oz (425g) canned baked beans
1 packet 2 Minute Noodles
Freshly ground black pepper

1. Process tomato, onion, carrots and green pepper through Juice Fountain.
2. Melt butter in a large saucepan over a medium heat.
3. Stir in flour, cook for one minute, stirring constantly.
4. Stir in the extracted juice, vegetable stock and baked beans.
5. Bring to the boil, then reduce heat and allow to simmer for 10 minutes.
6. Add noodles, cook for 2 minutes or until noodles are tender.

Pour into 4 soup bowls, sprinkle with black pepper to taste and serve immediately.

Gazpacho

MAKES
4 SERVES

4 medium tomatoes
4 sprigs fresh parsley
1 large clove garlic, peeled
1 small onion, peeled and trimmed
2 carrots
2 stalks celery
1 red capsicum, base removed and seeded
1 lebanese cucumber
2 tablespoons (30ml) red wine vinegar
freshly ground black pepper
1 cup (150g) crushed ice
3 tablespoons (45ml) chopped fresh basil

1. Process tomatoes, parsley, garlic, onion, carrots, celery, red capsicum and cucumber through Juice Fountain.
 2. Stir in vinegar and black pepper.
 3. Arrange ice in four soup bowls.
- Pour in extracted juice, sprinkle with basil and serve immediately.

Mango, cantaloupe and orange yoghurt drink

MAKES
4 

1 mango, halved, peeled and seeded
½ small cantaloupe, peeled, seeded and cut into two equal portions
5 oranges, peeled
3 tablespoons (45ml) natural yoghurt

1. Process mango, cantaloupe and oranges through Juice Fountain.
 2. Pour into a large bowl whisk in yoghurt.
- Serve immediately.

Pasta with provencale style sauce

MAKES
4 SERVES

4 tomatoes
2 sprigs fresh parsley
1 stick celery
2 large cloves garlic
1 small onion, peeled and trimmed
1 red capsicum, base removed and seeded
1 tablespoon (15ml) tomato paste
½ cup (125ml) red wine
2 teaspoons (10ml) dried oregano
2 cups (500g) cooked pasta
3 tablespoons (45ml) grated Parmesan cheese

1. Process tomatoes, parsley, celery, garlic, onion and red capsicum.
 2. Blend tomato paste with red wine, stir in the extracted juice.
 3. Pour into a saucepan and cook over medium heat for 3-4 minutes.
 4. Add pasta and toss to coat pasta well. Divide mixture between 4 serving bowls.
 5. Sprinkle with oregano and Parmesan cheese.
- Serve immediately.

Sparkling pear and apricot cooler



4 large apricots, halved and seeded
3 large pears
1 cup (250ml) mineral water
1 cup (150g) crushed ice

1. Process apricots and pears through Juice Fountain.
2. Scoop ice into 4 tall glasses.
3. Divide extracted juice between the glasses.
4. Top with mineral water, stir well to blend.

Serve immediately.

Cantaloupe, strawberry and passion crush



½ cantaloupe, peeled, seeded and divided into 2 equal portions
1 pint basket (250g) strawberries, hulled
pulp of 2 passion fruit
1 cup (150g) crushed ice

1. Process cantaloupe and strawberries through Juice Fountain.
2. Stir in passion fruit pulp.
3. Scoop ice into 4 glasses, pour over juice, mix well to combine.

Serve immediately.

Tropical blend



2 mangoes, halved, seeded and peeled
3 kiwi fruit, peeled
½ small pineapple, peeled and halved
½ cup (20g) fresh mint leaves
1 cup (150g) crushed ice

1. Process mangoes, kiwi fruit, pineapple and mint through Juice Fountain.
2. Scoop ice into 4 glasses, pour over juice, mix well to combine.

Serve immediately.

Tomato, nectarine, passionfruit and mint icer



6 tomatoes
2 nectarines
½ cup (20g) fresh mint leaves
pulp of 4 passion fruit
1 cup (150g) crushed ice

1. Process tomatoes, nectarines and mint leaves through Juice Fountain.
2. Stir in passionfruit pulp.
3. Scoop ice into 4 glasses, pour over juice, mix well to combine.

Serve immediately.

Cucumber, pineapple and cilantro ice



½ small pineapple, peeled and halved
2 cucumbers
½ cup (20g) fresh cilantro leaves
1 cup (50g) crushed ice

1. Process pineapple, cucumbers and cilantro through Juice Fountain.
2. Scoop ice into 4 glasses, pour over juice, mix well to combine.

Serve immediately.

Pear, radish and celery crush



3 medium pears
4 radishes, trimmed
3 sticks celery
1 cup (150g) crushed ice

1. Process pears, radishes and celery through Juice Fountain.
2. Scoop ice into 4 glasses, pour over juice, mix well to combine.

Serve immediately.

Coconut pineapple colada



- ½ coconut, peeled and halved
- ½ large pineapple, peeled and quartered
- 3 tablespoons Malibu liqueur
- 2 cups (500ml) soda water
- 1 cup (150g) crushed ice

1. Process coconut and pineapple through Juice Fountain.
2. Stir in liqueur and soda water.
3. Scoop ice into 4 tall glasses, pour over juice mixture, mix well to combine.

Serve immediately.

Honeydew dream



- 1 honeydew melon, peeled, seeded and quartered
- 3 tablespoons Midori liqueur
- 2 cups (500ml) soda water
- 1 cup (150g) crushed ice

1. Process honeydew melon through Juice Fountain.
2. Stir in liqueur and soda water.
3. Scoop ice into 4 tall glasses, pour over melon mixture, mix well to combine.

Serve immediately.

Bloody mary



- 4 medium tomatoes
- 2 sticks celery
- 1 large red capsicum, base removed and seeded
- ½ cup (75ml) Vodka
- 1 cup (150g) crushed ice

1. Process tomatoes, celery and red capsicum through Juice Fountain.
2. Stir in Vodka. Scoop ice into 4 glasses, pour over tomato mixture, mix well to combine.

Serve immediately.

Peach and mint julep



- 6 peaches, halved and seeded
- ½ cup (20g) fresh mint leaves
- 2 tablespoons Creme de Menthe
- 2 teaspoons sugar
- ½ cup (75g) crushed ice
- 500ml mineral water

1. Process peaches and mint leaves through Juice Fountain.
2. Stir in Creme de Menthe and sugar.
3. Scoop ice into 4 glasses, pour over peach mixture, mix well to combine.

Serve immediately.

Grape, kiwi fruit and berry booster



- Grapes contain potassium and iron, providing a great pick-me-up after a strenuous day.
- 3 cups (500g) green seedless grapes, stems removed
- 2 kiwi fruit, peeled
- 250g strawberries, hulled
- 2 cups (500ml) skim milk
- 2 tablespoons (30ml) powdered protein drink mix
- ½ cup (75g) crushed ice

1. Process grapes, kiwi fruit and strawberries through Juice Fountain.
 2. Mix in milk, protein drink mix and crushed ice.
- Serve immediately.

Apricot, apple and pear sparkle



- 4 large apricots, halved and seeded
- 4 small red apples
- 3 medium pears
- 1 cup (250ml) sparkling mineral water
- ½ cup (75g) crushed ice

1. Process apricots, apples and pears through Juice Fountain.
 2. Stir in mineral water and ice.
- Serve immediately.

Beet, carrot and orange quencher



- 8 carrots
- 2 small beets, trimmed
- ¼ cup (10g) fresh mint leaves
- 4 oranges, peeled

1. Process carrots, beet, mint leaves and oranges through Juice Fountain.
- Serve immediately.

Carrot, pumpkin and feta flan

MAKES
6 SERVES

8 sheets filo pastry
4 tablespoons (60g) butter, melted
1 leek finely sliced
1 cup (160g) pumpkin pulp
1 cup carrot pulp
80oz (250g) feta cheese, crumbled
3 eggs
1 egg white
½ cup (125ml) milk
2 tablespoons (30ml) orange rind
3 tablespoons (45ml) chopped fresh parsley

1. Layer the sheets of pastry, brushing between each sheet with butter. Lift pastry into a 25cm flan tin, press over base and side. Trim pastry edge to about 1.5cm higher than side of tin.
2. Combine leek, pumpkin, carrot, feta cheese, eggs, egg white, milk, orange rind and parsley. Pour into pastry case and bake at 180°C for 25-30 minutes or until golden and set.

Vegetable and bacon soup

MAKES
4 SERVES

1 tablespoon (15g) butter
1 onion, finely chopped
1 ham bone
3 cups (350g) beet pulp, strained and juice reserved
½ cup (50g) potato pulp, strained and juice reserved
½ cup (50g) carrot pulp, strained and juice reserved
1 cup (100g) tomato pulp, strained and juice reserved
½ cup (50g) cabbage pulp, strained and juice reserved
reserved juices and enough water to make up 2 litres (2 quarts)
4 bacon rashers, chopped
1 tablespoon (15ml) lemon juice
½ cup (110g) sour cream

1. Melt butter in a large saucepan, cook onion over a medium heat for 2-3 minutes or until golden. Add ham bone to pan, stir in beet pulp, potato pulp, carrot pulp, tomato pulp, cabbage pulp, reserved juices and water, bacon and lemon juice. Bring to the boil, reduce heat and simmer for 30-40 minutes.
 2. Remove ham bone, discard bone, finely chop meat and return to the pan.
- Serve topped with sour cream.

Carrot, apple and celery strudels

MAKES
8 SERVES

2 tablespoons (30g) butter
1 small onion, finely chopped
4½ cups (500g) carrot, apple and celery pulp, strained
(see juice recipe on page R3)
1 cup (250g) cottage cheese
2 tablespoons (30ml) chopped fresh mint
1 egg, beaten
12 sheets filo pastry
60g butter, melted extra
1 cup grated fresh Parmesan cheese

1. Melt butter in a saucepan, add onion, cook for 2-3 minutes, or until soft, seasoning to taste. Combine onion, carrot, apple and celery pulp, cottage cheese, mint and egg in a bowl. Mix well.
2. Cut filo sheets in half, place 3 sheets on bench, cover remaining pastry with greaseproof paper, then a damp cloth to prevent drying. Brush 1 sheet of pastry with extra butter, sprinkle with Parmesan cheese, top with another sheet of pastry, brush with butter, sprinkle with more cheese. Repeat with last sheet of pastry.
3. Place tablespoons of carrot mixture on one end of pastry, fold in sides and roll up like a swiss roll. Repeat with remaining pastry and pulp mixture. Place on a greased oven tray and bake at 200°C for 20-25 minutes or until golden.

Parsnip, herb and polenta hot cakes

MAKES
6 SERVES

2 cups (240g) parsnip pulp, strained
¼ cup (60ml) milk
2 eggs, separated
¼ cup (40g) polenta (corn meal)
¼ cup self-raising flour
1 teaspoon chopped fresh thyme
1 teaspoon chopped fresh rosemary
1 teaspoon cajun seasoning
1 small red capsicum, finely chopped
1 tablespoon (15ml) oil

1. Combine parsnip pulp, milk, egg yolks, self-raising flour, polenta, thyme, rosemary, cajun seasoning and red capsicum in a large mixing bowl. Beat egg whites until soft peaks form, fold into parsnip mixture.
 2. Heat oil in a large frying pan, drop spoonfuls of mixture into pan. Cook for about 1 minute on each side or until golden.
- Serve immediately.

Berry and white chocolate mousse

MAKES
6 SERVES

8oz (200g) white chocolate
1 cup (200g) strawberry pulp
1 cup (200g) raspberry pulp
3 teaspoons gelatine dissolved in
3 tablespoons hot water
3 egg yolks
1½ cup (300ml) carton thickened cream
¼ cup icing sugar
2 tablespoons (30ml) Grand Marnier

1. Melt chocolate over hot water, cool, being careful not to let it set. Combine strawberry pulp and raspberry pulp, set aside. Combine chocolate, gelatine mixture and egg yolks, whisk until pale and glossy. Beat cream until soft peaks form, fold through chocolate mixture with berry pulp and Grand Marnier. Pour into a wetted 5 cup capacity mould. Refrigerate several hours or overnight.

Carrot tea loaf

MAKES
16 SERVES

1¾ cups (210g) plain flour
2 teaspoons (10ml) baking powder
½ teaspoon (2ml) nutmeg
½ teaspoon cinnamon
½ teaspoon cardamom
½ cup peanuts, chopped
½ cup sultanas
½ cup brown sugar, firmly packed
1½ cups carrot pulp
½ cup (125ml) oil
2 eggs, lightly beaten
¼ cup (55g) sour cream

1. Grease and line a 25cm x 15cm loaf pan. Sift flour and baking powder into a large mixing bowl, add nutmeg, cinnamon, cardamom, peanuts, sultanas, brown sugar and carrot pulp, stir to combine. Add eggs, oil and sour cream. Beat with electric mixer, using medium speed until all ingredients are well blended. Pour into loaf pan.
2. Bake at 180°C for 1 hour or until cake is cooked when tested with a skewer. Remove from oven, stand in cake pan for 5 minutes before inverting out onto a wire cake rack.

Family meat loaf

MAKES
4-6 SERVES

1 lb (500g) lean beef mince
1 lb (500g) sausage mince
2 onions, finely chopped
½ cup (60g) carrot pulp, strained
½ cup (80g) potato pulp, strained
2 teaspoons curry powder
1 teaspoon ground cumin
1 tablespoon chopped fresh parsley
1 egg, lightly beaten
½ cup (125ml) evaporated milk
½ cup (125ml) beef stock
Freshly ground black pepper
2 tablespoons (30ml) slivered almonds

TOMATO GLAZE

½ cup (125ml) beef stock
4 tablespoons (60ml) tomato sauce
1 teaspoon instant coffee powder
3 tablespoons (45ml) Worcestershire sauce
1½ tablespoons (20ml) vinegar
1½ tablespoons (20ml) lemon juice
3 tablespoons brown sugar
¼ cup (60g) butter

1. Place beef, sausage mince, onions, carrot pulp, potato pulp, curry powder, cumin, parsley, egg, evaporated milk, stock and black pepper in a bowl, mix to combine. Press mixture into a lightly greased 11cm x 21cm loaf pan. Pour glaze over meatloaf, sprinkle with almonds and bake, basting often with glaze, for 40 minutes.
2. To make glaze, place stock, tomato sauce, coffee powder, Worcestershire sauce, vinegar, lemon juice, sugar and butter in a saucepan and bring to the boil over a medium heat. Reduce heat and simmer, stirring frequently, for 8-10 minutes or until glaze reduces and thickens slightly.

Breville

Breville

Jus en fontaine[®]

Extracteur de jus professionnel

Breville est une marque enregistrée de Breville

Breville Customer Service Centre Consommateurs des États-Unis

✉ 2851 E. Las Hermanas Street
Rancho Dominguez
CA 90221-5507

☎ Service à la clientèle: 1 (866) BREVILLE

Email askus@brevilleUSA.com

www.brevilleusa.com

Consommateurs du Canada

✉ Anglo Canadian
2555, avenue Aviation
Pointe-Claire (Montréal) Québec
H9P 2Z2

☎ Service à la clientèle: 1 (866) BREVILLE

Fax (514) 683-5554

Email askus@breville.ca

www.breville.com

© Copyright. Breville Pty. Ltd. 2005

En raison des améliorations constantes apportées à nos produits, le produit que vous avez acheté pourrait varier légèrement de celui illustré dans ce livret.

Model JE900XL Issue 1/05

Modèle JE900XL



PRINTED ON
RECYCLED PAPER

	Page
Introduction	39
Breville vous recommande la sécurité avant tout	42
Faites la connaissance de votre Juice Fountain	
Professional Breville	44
Montage de votre Juice Fountain Professional Breville	46
Le fonctionnement de votre Juice Fountain	
Professional Breville	49
Démontage de votre Juice Fountain Professional Breville	51
Entretien et nettoyage	53
Petit guide des interventions préventives	55
Tout ce que devez savoir sur les jus	56
L'achat et l'entreposage des fruits et des légumes	56
Préparation des fruits et des légumes	56
Que faire de la pulpe	57
Comment obtenir le bon mélange	57
La bonne technique	57
Renseignements sur les fruits et les légumes	58



Félicitations

de votre achat d'un nouveau Jus en fontaine® Breville

MISES EN GARDE IMPORTANTES

Chez Breville, nous sommes forts conscients de la sécurité. Nous concevons et fabriquons des produits destinés au consommateur sans jamais perdre de vue la sécurité de nos précieux clients. De plus, nous vous demandons de faire très attention lorsque vous vous servez de tout article ménager électrique et de prendre les précautions suivantes:

Importantes mesures de protection à prendre pour tous les appareils électriques.



- Ne poussez pas les aliments dans le dispositif d'alimentation avec les doigts. Servez-vous toujours du poussoir fourni.
- Ne touchez pas les petites lames coupantes qui se trouvent à la base du panier-filtre en acier inoxydable.
- Ne laissez pas le Juice Fountain sans surveillance lorsqu'il est en marche. Une étroite surveillance est nécessaire lorsque cet appareil est utilisé à proximité d'enfants. Ne laissez pas d'enfant se servir de cet appareil.
- Veillez toujours à ce que le Juice Fountain soit monté correctement et complètement avant de vous en servir. L'appareil ne s'allumera pas s'il n'est pas monté correctement.
- Servez-vous toujours du Juice Fountain sur une surface plane et sèche.
- Débranchez toujours Le Juice Fountain lorsqu'il n'est pas en service ou lors du montage.
- Vérifiez régulièrement le cordon d'alimentation, la fiche et l'appareil proprement dit pour y déceler tout dommage. Si c'est le cas, cessez immédiatement de vous servir de l'appareil et retournez le tout au centre de service Breville autorisé le plus proche pour examen, remplacement ou réparation.
- Dispositif d'alimentation très large. N'y placez ni les mains ni aucun objet. Servez-vous toujours du poussoir.
- Lisez soigneusement le mode d'emploi avant de faire marcher l'appareil et conservez-le pour consultation ultérieure.
- N'immergez ni le cordon d'alimentation ni la base dans aucun liquide.
- Ne laissez pas l'appareil sans surveillance quand il est en marche. Une étroite surveillance est nécessaire lorsque cet appareil se trouve à proximité d'enfants.
- Cet appareil n'est pas destiné à être utilisé sans surveillance par de jeunes enfants ou par des personnes handicapées.

- Ne faites jamais marcher un appareil électrique dont le cordon ou la fiche sont endommagés ou si l'appareil n'a pas fonctionné correctement ou a été endommagé de quelque façon que ce soit. Retournez-le au centre de service Breville 1-866 BREVILLE autorisé le plus proche pour examen, remplacement ou réparation.
- Ne laissez pas le cordon pendre d'une table ou d'un comptoir, toucher des surfaces très chaudes ou se nouer.
- Ne placez pas cet appareil sur ou près d'un brûleur électrique ou à gaz ou à un endroit où il pourrait entrer en contact avec un four très chaud.
- Éteignez toujours l'appareil
 - s'il est sans surveillance,
 - s'il n'est pas en service,
 - avant le nettoyage
 - avant de le déplacer.
- Tout entretien autre que le nettoyage devrait être effectué à un centre de service Breville autorisé.
- Cet appareil n'est destiné qu'à un usage domestique.



EXTRA WIDE FEED CHUTE. DO NOT PLACE HANDS OR FOREIGN OBJECTS DOWN FEED CHUTE. ALWAYS USE THE FOOD PUSHER PROVIDED.



AU SUJET DU CORDON D'ALIMENTATION

YOUR JUICER HAS A SHORT CORD AS A SAFETY PRECAUTION TO PREVENT PERSONAL INJURY OR PROPERTY DAMAGE RESULTING FROM PULLING, TRIPPING OR BECOMING ENTANGLED WITH THE CORD. DO NOT ALLOW CHILDREN TO BE NEAR OR USE THIS APPLIANCE WITHOUT CLOSE ADULT SUPERVISION. IF YOU MUST USE A LONGER CORDSET OR AN EXTENSION CORD WHEN USING APPLIANCE, THE CORD MUST BE ARRANGED SO IT WILL NOT DRAPE OR HANG OVER THE EDGE OF A COUNTERTOP, TABLETOP OR SURFACE AREA WHERE IT CAN BE PULLED ON BY CHILDREN OR TRIPPED OVER. TO PREVENT ELECTRIC SHOCK, PERSONAL INJURY OR FIRE, THE ELECTRICAL RATING OF THE EXTENSION CORD YOU USE MUST BE THE SAME OR MORE THAN THE WATTAGE OF THE APPLIANCE (WATTAGE IS MARKED ON UNDERSIDE OF APPLIANCE).

VEUILLEZ CONSERVER CES INSTRUCTIONS

Faites la connaissance de votre Juice Fountain de Breville

Dispositif d'alimentation breveté de grande largeur.
Peut accommoder des pommes, carottes, tomates et oranges pelées sans qu'elles soient coupées en morceaux. Le processus d'extraction s'en trouve accéléré et facilité

Panier-filtre en acier
inoxydable Micro Mesh

Couvercle de
l'extracteur de jus
(résiste au lave-vaisselle)

Réservoir à résidus de
grande dimension
(résiste au lave-vaisselle)

Cruche à jus d'une capacité d'un litre
avec poignée intégrée pour droitier ou
gaucher (voir page XX)

Poussoir servant à pousser
des fruits ou légumes entiers
dans le dispositif d'alimentation
breveté de grande largeur

Bras de verrouillage de sûreté
- L'extracteur ne peut fonctionner si
son couvercle n'est pas à sa place et
si le bras de verrouillage de sûreté
n'est pas dans sa position

Enveloppe protectrice du filtre
(résiste au lave-vaisselle)

Base avec moteur de
haute rendement
- moteur de 600 watts

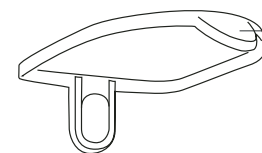
Interrupteur

Le cordon s'enroule autour des
pieds et se maintient en place à
l'aide d'un système à pince
(sous la base)

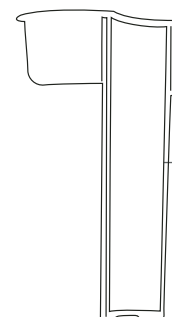
Fiche exclusive Breville Assist Plug™.
Facile à brancher et débrancher.



Cruche à jus d'une capacité d'un litre



Couvercle de la cruche à jus
Placez le couvercle sur la cruche à jus pour
conserver le jus dans le réfrigérateur.



L'accessoire à écume veille
à ce que l'écume soit séparée
du jus lorsque celui-ci est
versé dans un verre.



Cruche à jus d'une capacité d'un
litre résistante au lave-vaisselle.

Pour avoir l'écume dans le jus, enlevez
simplement l'accessoire prévu à cet effet.

Notez

Le montage de votre Juice Fountain Breville

Étape 1

Placez l'enveloppe protectrice du filtre sur la base qui contient le moteur.

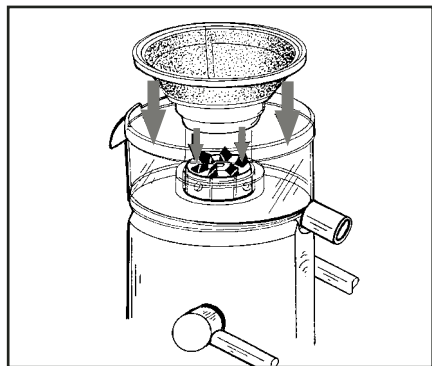


Étape 2

Placez le panier-filtre en acier inoxydable dans l'enveloppe protectrice.

Avant d'allumer l'extracteur, veillez à ce que le panier-filtre en acier inoxydable soit fermement enfoncé jusqu'au déclic de verrouillage.

Notez



Étape 3

Placez le couvercle de l'extracteur sur l'enveloppe protectrice en plaçant le dispositif d'alimentation au dessus du panier-filtre. Descendez-le et mettez-le en place.



Étape 4

Relevez le bras de verrouillage de sûreté dans la position verticale requise pour le fonctionnement (voir 4a).

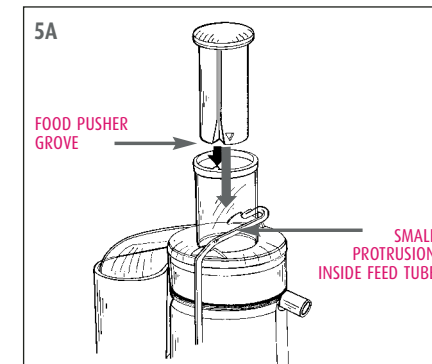


Placez ensuite le bras de verrouillage dans les deux rainures situées de chaque côté de l'extracteur (voir 4b).



Étape 5

Faites glisser le poussoir à l'intérieur du dispositif d'alimentation en alignant la rainure du poussoir avec la protubérance située sur le bord intérieur du sommet du dispositif d'alimentation.



Continuez de faire glisser le poussoir jusqu'au bas du dispositif d'alimentation (voir 5b).



Étape 6

Mettez le réservoir à résidus en place en le penchant légèrement.

Pour minimiser le lavage, nous vous suggérons de placer un sachet de congélation (ou un sac d'épicerie) en plastique dans le réservoir à résidus pour recueillir la pulpe. Le sac pourrait aussi empêcher la pulpe de sortir du réservoir (voir page **XX**).

That's the idea™



Étape 7

Placez la cruche à jus fournie sous le bec du côté droit du Juice Fountain.

Un verre pourrait aussi servir à recueillir le jus.

Note



Étape 1

Wash your selection of fruit and vegetables ready for juicing.

La plupart des fruits et légumes comme les pommes, les carottes et les concombres n'auront pas besoin d'être coupés car ils pénétreront fort bien entiers dans le dispositif d'alimentation. Lorsque vous faites du jus de carottes, faites entrer le bout pointu en dernier.

Notez

Étape 2

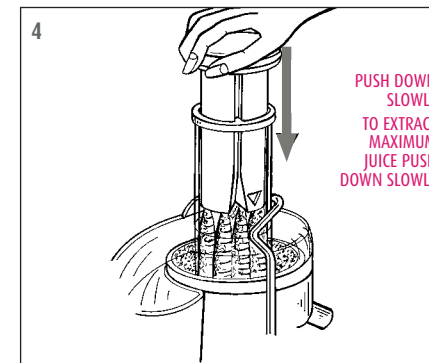
Assurez-vous que le Juice Fountain est monté correctement (voir pages **X, X et X**). N'oubliez pas de placer la cruche à jus sous le bec avant l'extraction.

Étape 3

Branchez le cordon d'alimentation dans une prise de courant et mettez l'appareil en marche en poussant l'interrupteur vers le bas.

Étape 4

Lorsque le moteur marche, placez les aliments dans le dispositif d'alimentation et poussez-les doucement vers le bas avec le poussoir prévu à cet effet. Pour extraire le maximum de jus, poussez les aliments lentement vers le bas et servez-vous toujours du poussoir.



Étape 5

Le jus va couler dans la cruche à jus et la pulpe résiduelle s'accumulera dans le réservoir à résidus..

Le réservoir à résidus peut être vidé pendant l'extraction en éteignant l'extracteur et en enlevant précautionneusement le réservoir à résidus. (Il faut le remettre en place avant de poursuivre l'extraction.) Container before continuing to juice.)

Note



NE VOUS SERVEZ JAMAIS DE VOS DOIGTS POUR POUSSER LES ALIMENTS DANS LE DISPOSITIF D'ALIMENTATION OU POUR DÉGAGER CELUI-CI. SERVEZ-VOUS TOUJOURS DU POUSSOIR FOURNI.

Petit truc:

Pour minimiser le lavage, nous vous suggérons de mettre un sac pour congélation (ou un sac d'épicerie) en plastique dans le réservoir à résidus pour recueillir la pulpe résiduelle. Lorsque l'extraction est terminée, mettez le sac à la poubelle. Le sac peut aussi empêcher la pulpe de sortir du réservoir à résidus (voyez la page 14 pour des suggestions quant à l'usage de la pulpe).

Ne laissez pas le réservoir à résidus déborder car cela pourrait empêcher l'appareil de fonctionner normalement et même l'endommager.

Notez

Petit truc pour le lavage:

Pour un nettoyage facile, rincez immédiatement les parties amovibles après chaque usage sous le robinet d'eau chaude (pour enlever la pulpe mouillée et collante). Laissez sécher à l'air.

Étape 6

Mettez le réservoir à résidus en place en le penchant légèrement.

Petit truc

Pour minimiser le lavage, nous vous suggérons de placer un sac de congélation (ou un sac d'épicerie) en plastique dans le réservoir à résidus pour recueillir la pulpe. Le sac pourrait aussi empêcher la pulpe de sortir du réservoir (voir page 8).



Pour minimiser le lavage, placez un sac pour congélation dans le réservoir à résidus pour recueillir la pulpe.

Étape 7

Placez la cruche à jus fournie sous le bec du côté droit du Juice Fountain.

Un verre pourrait aussi servir à recueillir le jus.

Notez

Étape 1

Interrompez le courant à la prise et débranchez l'appareil.

Étape 2

Enlevez le réservoir à résidus en le penchant légèrement.



Étape 3

Placez une main de chaque côté du bras de verrouillage, soulevez-le légèrement et tirez vers vous.



Étape 4

Abaissez le bras de verrouillage.



Étape 5

Enlevez le couvercle.

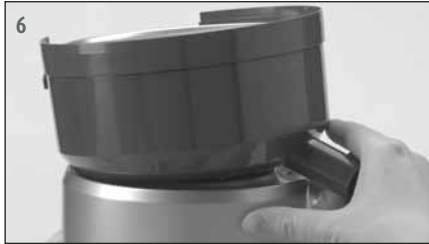


LE PANIER-FILTRE EN ACIER INOXYDABLE CONTIENT DE PETITES LAMES TRANCHANTES QUI TRAITENT FRUITS ET LÉGUMES.

NE LES TOUCHEZ PAS LORSQUE VOUS MANIPULEZ LE PANIER-FILTRE.

Étape 6

Pour enlever le panier-filtre en acier inoxydable, tenez la base de l'extracteur et faites tourner l'enveloppe protectrice en la tenant par le bec verseur.

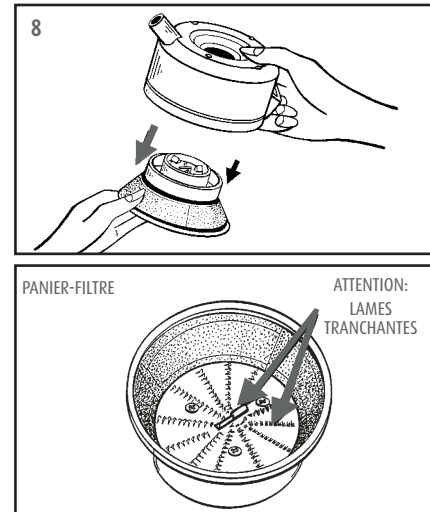


Liquids extracted from fresh fruits and vegetables form an important part of a well-balanced healthy diet. Fresh fruit and vegetable juices are an easy to make source of vitamins and minerals. Juices are rapidly absorbed into the blood stream therefore being the quickest way in which the body can digest nutrients.

When you make your own juices, you have complete control over what you include in them. You select the ingredients and decide if you need to use sugar, salt or other flavoring agents. Freshly extracted juices should be drunk just after they have been made to avoid a loss of vitamin content.

Étape 7

Soulevez l'enveloppe protectrice avec le panier-filtre en acier inoxydable encore en place.



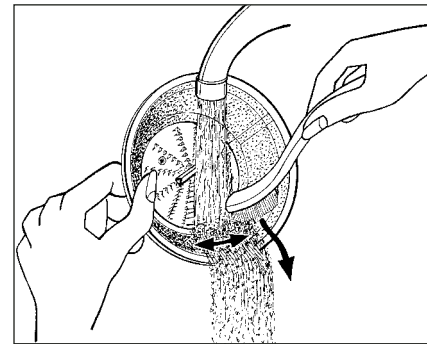
Étape 8

Pour enlever le panier-filtre en acier inoxydable, mettez l'enveloppe protectrice à l'envers et enlevez le panier-filtre en faisant bien attention. (Il est recommandé de procéder à cette opération au dessus d'un évier ou d'une poubelle.)

The inside information on juice

Although the juice drinks contained in this booklet were developed with flavor, texture and aroma at the forefront, the health benefits certainly add to the pleasurable taste experience. 95% of the nutrient content of fruit and vegetables is found in the juice.

- Pour un nettoyage facile – immédiatement après chaque usage, rincez toutes les pièces amovibles sous le robinet d'eau chaude (pour enlever la pulpe mouillée). Laissez-les sécher à l'air.
- Après le démontage de l'appareil (voir page X), toutes les parties amovibles peuvent être nettoyées dans de l'eau chaude savonneuse.
- Le couvercle du Juice Fountain, l'enveloppe protectrice, le réservoir à résidus et la cruche à jus sont résistants au lave-vaisselle (étagère supérieure seulement).
- Essayez la base avec un chiffon humide.
- Avant de laver la cruche à jus, enlevez l'accessoire à écume et rincez-le à l'eau chaude. Ne le mettez pas dans le lave-vaisselle.



- Une brosse de lavage en nylon est l'ustensile le plus pratique pour nettoyer le panier-filtre. Tenez le panier-filtre sous l'eau chaude et brossez de l'intérieur vers l'extérieur du panier. Prenez toujours grand soin du panier-filtre car il est facile à endommager.
- Le plastique peut se décolorer en raison de fruits ou des légumes très colorés. Pour y remédier, lavez toutes les pièces immédiatement après usage. Si une décoloration se produit, les pièces en plastique peuvent séjourner dans un mélange d'eau et de Javel. Utilisez 20ml de Javel pour 1 litre d'eau. Faites tremper les pièces en plastique pendant un maximum de 5 minutes et rincez-les à fond. Ne faites pas tremper le panier-filtre dans la Javel.



N'IMMERGEZ LA BASE DANS AUCUN LIQUIDE.

LE CENTRE DU PANIER-FILTRE ET DU DISPOSITIF D'ALIMENTATION CONTIENNENT DE PETITES LAMES TRANCHANTES POUR TRAITER FRUITS ET LÉGUMES PENDANT L'EXTRACTION. NE TOUCHEZ PAS LES LAMES LORSQUE VOUS MANIPULEZ LE PANIER-FILTRE OU LE DISPOSITIF D'ALIMENTATION.

Petit truc:

Pour minimiser le lavage, Mettez un sac pour congélation (ou un sac d'épicerie) en plastique dans le réservoir à résidus pour recueillir la pulpe. Lorsque l'extraction est terminée, Mettez simplement le sac à la poubelle (voir la page 13 sur les divers usages de la pulpe).

Pour aider au nettoyage, faites tremper le panier-filtre en acier inoxydable dans de l'eau chaude savonneuse pendant environ 10 minutes immédiatement après l'extraction.

Si la pulpe a le temps de sécher sur le filtre, elle peut boucher les pores du filtre et diminuer ainsi l'efficacité de l'extracteur. Une brosse de lavage en nylon est incluse avec votre Juice Fountain.

That's the idea™

Problème possible	Solution facile
L'appareil refuse de marcher lorsqu'il est allumé	Le bras de verrouillage de sûreté n'est peut-être pas placé correctement dans la position verticale de fonctionnement, le bras étant engagé dans les deux rainures situées de chaque côté du couvercle de l'extracteur (voir illustration à la page XX, étapes 4a & 4b).
Le moteur cale pendant l'extraction	La pulpe mouillée peut s'accumuler sous le couvercle si l'extraction est trop vigoureuse. Essayez d'enfoncer le poussoir plus lentement (voir page XX, étape 4).
De la pulpe s'accumule dans le panier-filtre Micro Mesh	Arrêtez l'extraction. Enlevez le couvercle de l'extracteur, grattez la pulpe en excès. Remontez l'appareil et recommencez l'extraction. Essayez d'alterner entre des variétés de fruits et de légumes durs et tendres.
La pulpe est mouillée et il n'y a pas assez de jus	Essayez de ralentir le rythme d'extraction. Enlevez le panier-filtre Micro Mesh et nettoyez les parois avec une brosse fine dans une solution de 70% d'eau et 30% de Javel. Cela enlèvera l'excès de fibres accumulées (provenant des fruits ou des légumes) qui pourrait ralentir le flot de jus.
Le jus fuit entre le bord du couvercle et le filtre	Essayez de ralentir le rythme d'extraction en enfonçant le poussoir plus lentement (voir page XX, étape 4). La pastèque n'est pas recommandée dans le Juice Fountain car elle contient trop d'eau.
Le jus contenu dans l'enveloppe protectrice jaillit du bec	Essayez de ralentir le rythme d'extraction en enfonçant le poussoir plus lentement (voir page XX, étape 4).

Tout ce que vous devez savoir sur les jus

Bien que les boissons contenues dans ce livret aient été mises au point avec la saveur, la texture et l'arôme au premier plan des préoccupations, les avantages liés à la santé ajoutent beaucoup au plaisir des sens.

95% du contenu en éléments nutritifs des fruits et des légumes se trouve dans le jus. Les liquides extraits des fruits et des légumes frais constituent une partie importante d'un régime sain et bien équilibré. Les jus de fruits et légumes frais sont une source de vitamines et de minéraux facile à préparer. Les jus sont vite absorbés dans le système sanguin et c'est donc la manière la plus rapide pour le corps de digérer les éléments nutritifs.

Lorsque vous préparez vos propres jus, vous contrôlez ce que vous y ajoutez. Vous choisissez les ingrédients et décidez si vous avez besoin de sucre, de sel ou d'autres agents pour modifier la saveur.

Les jus fraîchement extraits doivent être bus juste après leur préparation pour éviter toute perte du contenu en vitamines.

L'achat et l'entreposage des fruits et des légumes

- Lavez toujours les fruits et les légumes avant l'extraction.
- Servez-vous toujours de fruits et légumes frais
- Pour économiser et obtenir des produits plus frais, achetez des fruits et des légumes de saison (voir le tableau des fruits et des légumes des pages 14 et 15).
- En raison de la haute teneur en eau de la pastèque, son usage dans le Juice Fountain n'est pas recommandé.
- Lavez vos fruits et légumes avant de les entreposer pour les avoir à votre disposition au moment de la préparation des jus.

- La plupart des fruits et des légumes plus résistants peuvent être conservés à la température de la pièce. Les produits plus délicats et périssables comme les tomates, les baies, les plantes feuillues, le céleri, les concombres et les herbes devraient être conservés au réfrigérateur jusqu'à leur usage.

Préparation des fruits et légumes

- Si vous utilisez des fruits à peau dure ou non comestibles, comme le melon, la mangue et le kiwi, pelez-les toujours avant de les mettre dans l'extracteur. Il faut enlever la partie supérieure des ananas mais pas la peau.
- Les agrumes peuvent être mis dans le Juice Fountain Professional s'ils sont pelés auparavant.
- Tous les fruits contenant des noyaux ou des pépins comme les brugnons, les pêches, les abricots, les prunes et les cerises doivent en être débarrassés avant l'extraction.
- Une petite quantité de jus de citron peut être ajoutée au jus de pomme pour éviter qu'il brunisse.

Votre Juice Fountain Professional fait du jus d'orange onctueux et revigorant. Pelez simplement les oranges et extrayez (mieux vaut les réfrigérer avant l'extraction).

That's the idea™

La bonne technique

Lors de la préparation de jus provenant de divers ingrédients de textures variées, on obtient de meilleurs résultats en alternant entre les ingrédients plus durs et plus tendres. Par exemple, si vous faites du jus avec deux légumes durs comme des carottes et des panais et un légume tendre comme des tomates, commencez par les panais, passez aux tomates et finissez par les carottes. De cette façon, le panier-filtre en acier inoxydable se nettoie de lui-même entre les divers légumes. Cela permet à l'extracteur d'obtenir une quantité de jus maximale de chaque légume.

Si vous vous servez d'herbes, de pousses ou de petits légumes verts feuillus, il vaudrait mieux les envelopper dans une grande feuille de laitue ou d'épinard ou les mettre dans le dispositif d'alimentation entre des morceaux de légumes plus fermes.

Tous les fruits et légumes produisent des quantités différentes de liquide. Cela demeure vrai même au sein du même groupe; par exemple, une portion de tomates peut produire plus de jus qu'une autre. Les recettes de jus n'étant pas exactes et l'extraction de jus n'étant pas une science, les quantités précises d'un jus quelconque n'affectent pas spécialement la réussite d'un mélange particulier.

Pour toujours extraire la quantité maximale de jus, enfoncez toujours le poussoir lentement.

Notez

Comment obtenir le bon mélange

Il n'est pas difficile de faire des jus au goût agréable. Si vous faites déjà vos propres jus de fruits et légumes, vous savez à quel point il est simple d'inventer de nouvelles combinaisons. Le goût, la couleur, la texture et les ingrédients sont très personnels. Pensez à quelques uns de vos aliments et saveurs favoris. Iraient-ils bien ensemble? Se contrediraient-ils? Certaines saveurs fortes peuvent en écraser d'autres plus subtiles. La règle la plus simple est de combiner les ingrédients pulpeux et féculents avec ceux qui contiennent plus de liquides.

Faites des expériences! N'importe quel fruit ou légume dont vous appréciez le goût peut faire partie de votre prochaine boisson. Vous pouvez choisir un fruit qui donnera la saveur dominante et un autre qui apportera un contraste subtil. Votre imagination est la seule limite possible.

Que faire de la pulpe

La pulpe qui reste après l'extraction du jus des fruits et des légumes est constituée essentiellement de fibre et de cellulose qui, comme le jus, contiennent des éléments nutritifs vitaux nécessaires au régime quotidien et elle peut être utilisée de bien des façons. Cependant, comme le jus, la pulpe devrait être utilisée le jour même pour éviter la perte des vitamines.

Il existe un certain nombre de recettes dans ce livret qui recommandent l'usage de la pulpe (voir les pages **XX** et **XX**). En dehors des recettes mentionnées ci-dessus, la pulpe peut servir à donner de l'ampleur aux rissoles, épaissir les plats cuits en cocotte ou les soupes. Dans le cas des fruits, on peut mettre la pulpe dans un bol recouvert de meringue et faire cuire au four pour préparer un dessert simple.

En dehors de sa consommation, la pulpe peut servir à préparer du compost pour le jardin.

Renseignements sur les fruits et les légumes

Fruits et légumes	Saison	Conservation	Valeur nutritive	Kilojoules/Calories
Pommes	Automne/ Hiver	Sacs de plastique ventilés et réfrigérateur	Fibres alimentaires et vitamine C	200g de pommes = 300kj (72 cal)
Abricots	Été	Bac à fruits ou réfrigérateur sans emballage	Fibres alimentaires et potassium	30g d'abricots = 85kj (20 cal)
Betterave	Hiver	Couper la partie supérieure et réfrigérer sans emballage	Bonne source de folate et de fibres alimentaires; de vitamines C et de potassium	160g de betteraves = 190kj (45 cal)
Bleuets	Été	Couvrir et mettre au réfrigérateur	Vitamines C	125g de bleuets = 295kj (70 cal)
Brocoli	Automne/ Hiver	Sac en plastique et réfrigérateur	Vitamines C, Folate, B2, B5, E, B6 et fibres alimentaires	100g de brocoli = 195kj (23 cal)
Choux de Bruxelles	Automne/ Hiver	Sans emballage dans bac à légumes ou réfrigérateur	Vitamines C B2, B6, E, Folate et fibres alimentaires	100g de choux de Bruxelles = 110kj (26 cal)
Chou	Hiver	Emballé, taillé et au réfrigérateur	Vitamines C, Folate, potassium, B6 et fibres alimentaires	100g de chou = 110kj (26 cal)
Carottes	Hiver	Sans emballage au réfrigérateur	Vitamines A, Folate, potassium B6 et fibres alimentaires	120g de carottes = 125kj (30 cal)
Choux fleur	Automne/ Hiver	Enlever les feuilles extérieures, mettre dans un sac de plastique et réfrigérer	Vitamines C, B5, B6 Folate, vitamine K et potassium	100g de choux fleur = 55kj (13 cal)
Céleri	Automne/ Hiver	Réfrigérer dans un sac de plastique	Vitamines C et potassium	80g de céleri = 55kj (13 cal)
Concombre	Été	Bac à légumes et réfrigérateur	Vitamines C	Concombre de 280g = 12kj
Fenouil	Hiver/ Printemps	Bac à légumes et réfrigérateur	Vitamines C et fibres alimentaires	Fenouil de 300g = 145kj (35 cal)
Raisins	Été	Sac en plastique et réfrigérateur	Vitamines C, B6 et potassium	125g de raisins = 355kj (85)
Kiwi	Hiver/ Printemps	Bac à légumes et réfrigérateur	Vitamines C et potassium	Kiwi de 100g = 100kj (40 cal)

Fruits et légumes	Saison	Conservation	Valeur nutritive	Kilojoules/Calories
Mangue	Été	Couvrir et réfrigérer	Vitamines A,C, B1, B6 et potassium	240g de mangue = 200kj (102 cal)
Melon	Été/ Automne	Bac à légumes et réfrigérateur	Vitamines C, folate, fibres alimentaires et vitamines A	200g de melon = 210kj (50 cal)
Brugnons	Été	Bac à légumes et réfrigérateur	Vitamines C, B3 potassium et fibres alimentaires	180g de brugnons = 355kj (85 cal)
Oranges	Hiver/ Automne/ Printemps	Endroit frais et sec pendant 1 semaine transférer au réfrigérateur pour conservation prolongée	Vitamines C 35 mg par 100g	150g d'orange = 160kj
Pêches	Été et réfrigérer	Ne pas couvrir potassium et fibres alimentaires	Vitamines C, B3 = 205kj (49 cal)	150g de pêche
Poires	Automne	Ne pas couvrir et réfrigérer	Fibres alimentaires	150g de poire = 250kj (60 cal)
Ananas	Été	Ne pas couvrir et réfrigérer	Vitamines C	150g d'ananas = 245kj (59 cal)
Prunes	Été	Ne pas couvrir et réfrigérer	Fibres alimentaires	70g de prune = 110kj (26 cal)
Framboises	Été	Couvrir et réfrigérer	Vitamines C, fer, potassium et magnésium	125g de framboises = 130kj (31 cal)
Tomates	Été	Ne pas couvrir et réfrigérer	Vitamines C fibres alimentaires	100g de tomate = 90kj (22 cal)

Your Juice Fountain makes invigorating frothy orange juice. Simply peel the oranges and juice. (Best to refrigerate oranges before juicing)

That's the idea™

Delicious recipes

Includes instructions for use



	Page
Un bon début	59
Pour remplacer les vitamines	61
Déjeuners liquides	62
Boissons glacées	64
Jus alcoolisés	66
Apports d'énergie	67
Apports de fibres	68

Jus de pomme, de carotte et de céleri



Vous pouvez modifier les quantités de carotte ou de pomme pour adoucir le jus ou l'aciduler selon vos préférences:

4 petites pommes Granny Smith
3 carottes moyennes taillées
4 côtes de céleri

1. Traitez les pommes, les carottes et le céleri dans le Juice Fountain. Mélangez bien et servez immédiatement.

Jus de tomate, de carotte, de céleri et de lime



2 tomates moyennes
1 grande carotte taillée
2 côtes de céleri taillées
1 lime pelée

1. Traitez les tomates, la carotte, le céleri et la lime dans le Juice Fountain et servez immédiatement.

Jus de carotte, de betterave et d'orange



2 carottes moyennes taillées
3 betteraves moyennes taillées
4 oranges pelées

1. Traitez les carottes, les betteraves et les oranges dans le Juice Fountain et servez immédiatement.

Jus de pomme, de pêche et de pamplemousse



1 petite pomme délicieuse
2 grandes pêches coupées en deux et sans pépins
2 pamplemousses pelés

1. Traitez la pomme, les pêches et les pamplemousses dans le Juice Fountain et servez immédiatement.

Jus d'ananas, de pêche et de poire



1/2 petit ananas pelé et coupé en deux
2 pêches coupées en deux sans pépins
2 petites poires mûres

1. Traitez l'ananas, les pêches et les poires dans le Juice Fountain et servez immédiatement.

Jus de pomme, de poire et de fraise



- 1 petite pomme Granny Smith
- 3 petites poires mûres
- 1 tasse de fraises équeutées

1. Traitez la pomme, les poires et les fraises dans le Juice Fountain et servez immédiatement.

Jus de melon brodé, de menthe et de mangue



- 1/2 melon brodé pelé, sans pépins et coupé en deux
- 3 brins de feuilles de menthe fraîche
- 1 mangue coupée en deux sans pépins et pelée

1. Traitez le melon, la menthe et la mangue dans le Juice Fountain et servez immédiatement.

Jus de tomate, de concombre, de persil et de carotte



- 3 tomates moyennes
- 1 grand concombre
- 1 grand bouquet de persil
- 3 carottes moyennes taillées

1. Traitez les tomates, le concombre, le persil et les carottes dans le Juice Fountain et servez immédiatement.

Jus de kumara, de céleri, de gingembre et d'orange



- 4 côtes de céleri taillées
- 1 grand kumara (patate douce) coupé en deux
- 1 morceau de gingembre de 2,5cm
- 4 oranges pelées

1. Traitez le céleri, le kumara, le gingembre et les oranges dans le Juice Fountain et servez immédiatement.

Jus de panais, de céleri et de poire



- 2 panais taillés
- 4 côtes de céleri taillées
- 4 poires moyennes sans la tige

1. Traitez les panais, le céleri et les poires dans le Juice Fountain et servez immédiatement.

Jus de tomate, de carotte et de piment rouge



- 2 petits piments rouges
- 3 tomates moyennes
- 3 carottes taillées
- 4 brins de persil

1. Taillez la base des piments et enlevez les pépins.
2. Traitez les tomates, les carottes, le persil et les piments rouges dans le Juice Fountain et servez immédiatement.

Jus de mûres, de poire et de pamplemousse



- 250g de mûres
- 3 poires mûres
- 2 pamplemousses sans pépins

1. Traitez les mûres, les poires et les pamplemousse dans le Juice Fountain et servez immédiatement.

Jus de betteraves, de pomme et de céleri



- 4 betteraves moyennes taillées
- 2 pommes granny smith moyennes
- 4 côtes de céleri

1. Traitez les betteraves, les pommes et le céleri dans le Juice Fountain et servez immédiatement.

Jus de bleuets, de mûres, de fraises et de lime



- 500g de mûres
- 500g de bleuets
- 500g de fraises équeutées
- 1 lime pelée

1. Traitez les mûres, les bleuets, les fraises et la lime dans le Juice Fountain et servez immédiatement.

Jus de concombre, de céleri, de fenouil et de germes de soja



- 1 gros concombre
- 3 côtes de céleri
- 1 fenouil taillé
- 2 tasses de germes de soja

1. Traitez le concombre, le céleri, le fenouil et les germes de soja dans le Juice Fountain et servez immédiatement.

Jus d'orange écumeux



- 1kg d'oranges pelées

1. Traitez les oranges dans le Juice Fountain et servez immédiatement.
(Mieux vaut réfrigérer les oranges avant l'extraction.)

Soupe aux légumes frais avec nouilles

MAKES
4 SERVES

1 petite tomate
1 petit oignon pelé et taillé
2 carottes
1 piment vert, la base enlevée et sans pépins
1 cuillerée à soupe de beurre
1 cuillerée à soupe de farine complète
375ml de fonds de légumes
425g de haricots au lard en boîte
1 paquet de nouilles à cuire en 2 minutes
poivre noir fraîchement moulu

1. Traitez la tomate, l'oignon, les carottes et le piment vert dans le Juice Fountain.
2. Faites fondre le beurre dans un grand poêlon à feu moyen. amenez à ébullition.
3. En remuant sans arrêt, ajoutez la farine et faites cuire pendant une minute.
4. Ajoutez en remuant, le jus, le fonds de légumes et les haricots au lard. amenez à ébullition puis réduisez la chaleur et laissez mijoter pendant 10 minutes.
5. Ajoutez les nouilles et faites cuire pendant 2 minutes ou jusqu'à ce que les nouilles soient tendres.
6. Versez dans 4 assiettes à soupe.
7. Ajoutez du poivre au goût et servez immédiatement.

Gazpacho

MAKES
4 SERVES

4 tomates moyennes
4 brins de persil frais
1 grande gousse d'ail pelée
1 petit oignon pelé et taillé
2 carottes
2 côtes de céleri
1 piment rouge, la base enlevée et sans pépins
1 concombre libanais
2 cuillerées à soupe de vinaigre de vin rouge
poivre noir fraîchement moulu
1 tasse de glace concassée
3 cuillerée à soupe de persil frais coupé en morceaux

1. Traitez les tomates, le persil, l'ail, l'oignon. Les carottes, le céleri, le piment rouge, et le concombre dans le Juice Fountain.
2. En remuant, ajoutez le vinaigre et le poivre noir.
3. Mettez la glace dans 4 assiettes à soupe.
4. Versez le jus extrait.
5. Saupoudrez de persil et servez immédiatement.

Boisson à la mangue, au melon brodé, au yogourt et à l'orange

MAKES
4 SERVES

1 mangue coupée en deux, pelée et sans pépins
½ melon brodé pelé, sans pépins et coupé en deux parties égales
5 oranges pelées
3 cuillerées à soupe de yogourt naturel

1. Traitez la mangue, le melon et les oranges dans le Juice Fountain.
2. Versez dans un grand bol.
3. Ajoutez le yogourt en fouettant la mixture et servez immédiatement.

Ptes à la sauce provençale

MAKES
4 SERVES

4 tomates
2 brins de persil frais
1 côte de céleri
2 grandes gousses d'ail
1 petit oignon pelé et taillé
1 piment rouge, la base enlevée et sans pépins
1 cuillerée à soupe de pâte de tomates
125ml de vin rouge
2 cuillerées à thé d'origan séché
500g de pâtes cuites
3 cuillerées à soupe de fromage parmesan râpé

1. Traitez les tomates, le persil, le céleri, l'ail, l'oignon et le piment rouge.
2. Mélangez la pâte de tomates avec le vin rouge.
3. Ajoutez le jus extrait en remuant. versez dans un poêlon et faites cuire à feu moyen pendant 3 à 4 minutes.
4. Ajoutez les pâtes et mélangez bien pour les recouvrir. servez le tout dans quatre assiettes.
5. Saupoudrez d'origan et de fromage parmesan et servez immédiatement.

Boisson pétillante à la poire et à l'abricot



4 grands abricots coupés en deux et dénoyautés
3 grandes poires
250ml d'eau minérale gazeuse
1 tasse de glace concassée

1. Traitez les abricots et les poires dans le Juice Fountain.
2. Mettez la glace dans 4 verres hauts. Répartissez le jus extrait dans les verres.
3. Ajoutez l'eau minérale.
4. Remuez bien et servez immédiatement.

Boisson au melon, aux fraises et aux fruits de la passion



½ melon brodé pelé, sans pépins et coupé en deux portions égales
250g de fraises équeutées
La pulpe de deux fruits de la passion
1 tasse de glace concassée

1. Traitez le melon et les fraises dans le Juice Fountain.
 2. Ajoutez la pulpe de fruit de la passion en remuant. mettez la dans verres.
 3. Versez le jus et mélangez bien.
- Servez immédiatement.

Mélange tropical



2 mangues coupées en deux, pelées, sans pépins
3 kiwis pelés
½ ananas taillé et coupé en deux portions égales
½ tasse de feuilles de menthe fraîche
1 tasse de glace concassée

1. Traitez les mangues, les kiwis, l'ananas et la menthe dans le Juice Fountain.
2. Mettez la glace dans 4 verres et versez le jus.
3. Mélangez bien et servez immédiatement.

Boisson à la tomate, aux brugnons, aux fruits de la passion et à la menthe



6 tomates
2 brugnons
½ tasse de feuilles de menthe fraîche
la pulpe de 4 fruits de la passion
1 tasse de glace concassée

1. Traitez les tomates, les brugnons et les feuilles de menthe dans le Juice Fountain.
2. Ajoutez la pulpe de fruit de la passion en remuant. Mettez la glace dans 4 verres et versez le jus.
3. Mélangez bien et servez immédiatement.

Boisson au concombre, à l'ananas et à la coriandre



½ ananas taillé et divisé en deux portions égales
2 concombres
½ tasse de feuilles de coriandre fraîche
1 tasse de glace concassée

1. Traitez l'ananas, les concombres et la coriandre dans le Juice Fountain.
2. Mettez la glace dans 4 verres et versez le jus.
3. Mélangez bien et servez immédiatement.

Boisson à la poire, aux radis et au céleri



3 poires moyennes
4 radis taillés
3 côtes de céleri
1 tasse de glace concassée

1. Traitez les poires, les radis et le céleri dans le Juice Fountain.
2. Mettez la glace dans 4 verres et versez le jus.
3. Mélangez bien et servez immédiatement.

Boisson à la poire et à l'abricot



½ noix de coco pelée et coupée en deux
½ gros ananas taillé et coupé en deux
3 cuillerées à soupe de liqueur Mambo
500ml d'eau de Seltz
1 tasse de glace concassée

1. Traitez la noix de coco et l'ananas dans le Juice Fountain.
 2. Ajoutez la liqueur et l'eau de seltz en remuant. Mettez la glace dans 4 verres hauts.
 3. Versez le jus et mélangez bien.
- Servez immédiatement.

Honeydew dream



1 melon honeydew pelé, sans pépins et coupé en quartiers
3 cuillerées à soupe de liqueur Midori
500ml d'eau de Seltz
1 tasse de glace concassée

1. Traitez le melon dans le Juice Fountain.
2. Ajoutez la liqueur et l'eau de seltz en remuant. Mettez la glace dans 4 verres hauts et versez le jus de melon.
3. Mélangez bien et servez immédiatement.

Bloody mary



4 tomates moyennes
2 côtes de céleri
1 grand piment rouge sans sa base et sans pépins
85ml de vodka
1 tasse de glace concassée

1. Traitez les tomates, le céleri et le piment rouge dans le Juice Fountain.
2. Ajoutez la vodka en remuant.
3. Mettez la glace dans 4 verres et versez le jus.
4. Mélangez bien et servez immédiatement.

Julep à la pêche et à la menthe



6 pêches coupées en deux et dénoyautées
½ tasse de feuilles de menthe fraîche
2 cuillerées à soupe de Crème de menthe
2 cuillerée à thé de sucre
½ tasse de glace concassée
500ml d'eau minérale

1. Traitez les pêches et les feuilles de menthe dans le Juice Fountain.
2. Ajoutez la crème de menthe et le sucre en remuant. Mettez la glace dans 4 verres et versez la mixture à la pêche.
3. Mélangez bien et servez immédiatement.

Stimulant aux raisins, aux kiwis et aux fraises



500g de raisins sans pépins et sans tiges
2 kiwis pelés
250g de fraises équeutées
500ml de lait écrémé
2 cuillerées à soupe de mélange en poudre pour boisson riche en protéines
½ tasse de glace concassée

1. Traitez les raisins, les kiwis et les fraises dans le Juice Fountain.
2. Mélangez le lait, le mélange en poudre et la glace dans la mixture et servez immédiatement.

Boisson aux abricots, aux pommes et aux poires



4 gros abricots coupés en deux et dénoyautés
4 petites pommes rouges
3 poires moyennes
250ml d'eau minérale gazeuse
½ tasse de glace concassée

1. Traitez les abricots, les pommes et les poires dans le Juice Fountain.
2. Ajoutez l'eau minérale et la glace en remuant et servez immédiatement.

Boisson aux betteraves, aux carottes et aux oranges



8 8 carottes
2 petites betteraves taillées
¼ de tasse de feuilles de menthe fraîche
4 oranges pelées

1. Traitez les carottes, les betteraves, la menthe et les oranges dans le Juice Fountain.
- Servez immédiatement.
- Plutôt que de gaspiller la fibre du fruit et des légumes dont le jus a été extrait, les recettes suivantes ont été créées pour utiliser la pulpe résiduelle.

Carrot, pumpkin and feta flan

MAKES
6 SERVES

Flan aux carottes, à la citrouille et au féta
6 portions

8 feuilles de pâte filo

60g de beurre fondu

1 poireau coupé en tranches fines

1 tasse de pulpe de citrouille

1 tasse de pulpe de carottes

250g de fromage féta émietté

3 œufs

1 blanc d'œuf

125ml de lait

2 cuillerées à soupe de pelure d'orange

3 cuillerées à soupe de persil frais coupé en morceaux

1. Mettez les feuilles de filo les unes sur les autres en étalant du beurre sur chaque feuille. Placez le tout dans une assiette à tarte de 25cm de diamètre et pressez sur la base et les côtés. Le bord de la pâte devrait dépasser celui de l'assiette de 1½ cm.
2. Combinez le poireau, la citrouille, la carotte, le fromage féta, les œufs, le blanc d'œuf, la pelure d'orange et le persil. Placez le tout dans la pâte et faites cuire au four à 180 degrés pendant 25 à 30 minutes ou jusqu'à ce que le flan soit doré.

Soupe aux légumes et au bacon

MAKES
4 SERVES

3 cuillerées à thé de beurre

1 oignon coupé en petits morceaux

1 os de jambon

350g de pulpe de betterave égouttée dans un tamis et le jus mis de côté

50g de pulpe de pomme de terre égouttée dans un tamis et le jus mis de côté

50g de pulpe de carotte égouttée dans un tamis et le jus mis de côté

100g de pulpe de tomate égouttée dans un tamis et le jus mis de côté

50g de pulpe de chou égouttée et le jus mis de côté

Les jus mis de côté et assez d'eau pour 2 litres

4 tranches minces de bacon

1 cuillerée à soupe de jus de citron

½ tasse de crème sûre

1. Faites fondre le beurre dans un grand poêlon. Faites cuire l'oignon à feu moyen pendant 2 à 3 minutes ou jusqu'à ce qu'il soit doré. Ajoutez l'os de jambon. En remuant, ajoutez la pulpe de betterave, la pulpe de pomme de terre, la pulpe de carotte, la pulpe de tomate, la pulpe de chou, les jus mis de côté et l'eau, le bacon et le jus de citron. Amenez à ébullition, réduisez la chaleur et laissez mijoter pendant 30 à 40 minutes.
2. Enlevez l'os de jambon et jetez l'os. Coupez la viande en petits morceaux et remettez-la dans le poêlon.

Servez couronné de crème sûre.

Strudel aux carottes, aux pommes et au céleri

MAKES
8 SERVES

30g de beurre

1 petit oignon coupé en petits morceaux

4 tasses ½ de pulpe de carotte, de pomme et de céleri égouttée (voir la recette des jus en page 15)

250g de fromage cottage

2 cuillerées à soupe de menthe fraîche coupée en morceaux

1 œuf battu

12 feuilles de pâte filo

60g de beurre fondu

1 tasse de fromage parmesan frais râpé

1. Faites fondre le beurre dans un grand poêlon. Ajoutez l'oignon et faites cuire pendant 2 ou 3 minutes ou jusqu'à ce qu'il devienne tendre. Assaisonnez au goût.
2. Combinez l'oignon, la pulpe de carotte, de pomme et de céleri, le fromage cottage, la menthe et l'œuf dans un bol à mélanger. Mélangez bien.
3. Coupez les feuilles de filo en deux et placez en 3 feuilles sur une planche à pâtisserie. Couvrez le reste de la pâte de papier paraffiné et d'un morceau d'étoffe humide pour l'empêcher de sécher. Avec une brosse, étalez du beurre sur une feuille de pâte, saupoudrez de fromage parmesan, couvrez d'une autre feuille de pâte, étalez du beurre saupoudrez de fromage parmesan et répétez avec la dernière feuille de pâte.
4. Placez des cuillerées à soupe de mixture de carotte à une extrémité de la pâte, repliez les côtés et roulez le tout, comme un roulé à la confiture. Répétez avec le reste de la pâte et de la pulpe. Placez sur un plateau à four et faites cuire au four à 200 degrés pendant 20 à 25 minutes ou jusqu'à ce que la pâte soit dorée.

Petits gâteaux aux panais, aux herbes et à la polenta

MAKES
6 SERVES

2 cups (240g) parsnip pulp, strained

¼ cup (60ml) milk

2 tasses de pulpe de panais égouttée

125ml de lait

2 œufs séparés

¼ de tasse de polenta (semoule de maïs)

¼ de tasse de farine auto-levante

1 cuillerée à thé de thym frais coupé en morceaux

1 cuillerée à thé de romarin frais coupé en morceaux

1 cuillerée à thé d'assaisonnement cajun

1 petit piment rouge coupé en petits morceaux

1 cuillerée à soupe d'huile

1. Combinez la pulpe de panais, le lait, les jaunes d'œuf, la farine auto-levante, la polenta, le thym, le romarin, l'assaisonnement cajun et le piment rouge dans un grand bol à mélanger. Battez les blancs d'œuf jusqu'à ce que se forment des monticules. Incorporez dans la mixture de panais.
2. Faites chauffer l'huile dans une grande poêle. Mettez des cuillerées de mixture dans la poêle. Faites cuire les gâteaux pendant environ 1 minute de chaque côté ou jusqu'à ce qu'ils soient dorés. Servez immédiatement.

Mousse aux baies et au chocolat blanc

MAKES
6 SERVES

200g de chocolat
200g de pulpe de fraise
200g pulpe de framboise
3 cuillerées à thé de gélatine dissoute dans 3 cuillerées à soupe d'eau chaude
3 jaunes d'œuf
1 carton de 300ml de crème épaisse
1/4 de tasse de sucre à glacer
2 cuillerées à soupe de grand marnier

1. Faites fondre le chocolat au bain-marie. Laissez-le refroidir mais pas se solidifier. Combinez la pulpe de fraise et de framboise et mettez de côté. Combinez le chocolat, la gélatine et les jaunes d'œuf et fouettez jusqu'à obtention d'un coloris pâle et brillant. Battez la crème jusqu'à formation de monticules et incorporez à la mixture au chocolat avec la pulpe des baies et le grand marnier. Versez dans un moule humidifié d'une capacité de 5 tasses. Réfrigérez pendant quelques heures ou pendant la nuit.

Gteau aux carottes

MAKES
16 SERVES

1 tasse 3/4 de farine ordinaire
2 cuillerées à thé d'agent de levage
1/2 cuillerée à thé de noix de muscade
1/2 cuillerée à thé de cannelle
1/2 cuillerée à thé de cardamome
1/2 tasse d'arachides coupées en morceaux
1/2 tasse de raisin de smyrne
1/2 tasse de sucre brun bien tassé
1 tasse 1/2 de pulpe de carotte
1/2 tasse d'huile
2 œufs légèrement battus
65ml de crème sûre

1. Graissez et garnissez un moule à pain de 25cm sur 15cm. Tamisez la farine et l'agent de levage dans un grand bol à mélanger et ajoutez la noix de muscade, la cannelle, la cardamome, les arachides, les raisins de smyrne, le sucre brun et la pulpe de carotte. Remuez pour combiner. Ajoutez les œufs, l'huile et la crème sûre. Battez avec un batteur électrique à vitesse moyenne jusqu'à ce que tous les ingrédients soient bien mélangés. Versez dans le moule à pain.
2. Faites cuire au four à 180 degrés pendant 1 heure ou jusqu'à ce que le gâteau soit cuit. Vérifiez en y enfonçant une brochette. Retirez du four, laissez dans le moule à pain pendant 5 minutes avant de mettre le moule à l'envers pour déposer le gâteau sur une grille.

Pain de viande familial

MAKES
4-6 SERVES

500g de bœuf haché maigre
500g de saucisse hachée
2 oignons coupés en petits morceaux
1/2 tasse de pulpe de carotte égouttée
1/2 tasse de pulpe de pomme de terre égouttée
2 cuillerées à thé de poudre de cari
1 cuillerée à thé de cumin moulu
1 cuillerée à soupe de persil frais coupé en morceaux
1 œuf légèrement battu
1/2 tasse de lait évaporé
125ml de fonds de bœuf
Poivre noir fraîchement moulu
2 cuillerées à soupe d'amandes argentées

GLAÇAGE À LA TOMATE

125ml de fonds de bœuf
4 cuillerées à soupe de sauce tomate
1 cuillerée à thé de poudre de café instantané
3 cuillerées à soupe de sauce worcestershire
1 cuillerée 1/2 de vinaigre
1 cuillerée 1/2 de jus de citron
3 cuillerées à soupe de sucre brun
1/4 de tasse de beurre

1. Mettez le bœuf et la saucisse hachés, les oignons, la pulpe de carotte, la pulpe de pomme de terre, la poudre de cari, le cumin, le persil, l'œuf, le lait évaporé, le fonds et le poivre noir dans un bol et mélangez le tout. Pressez la mixture dans un moule à pain légèrement graissé de 11cm sur 21cm. Versez le glaçage sur le pain de viande, saupoudrez d'amandes et faites cuire au four en arrosant fréquemment pendant 40 minutes.
2. Pour faire le glaçage, mettez le fonds, la sauce tomate, la poudre de café, la sauce worcestershire, le vinaigre, le jus de citron, le sucre et le beurre dans un poêlon et amenez à ébullition à feu moyen. Réduisez la chaleur et laissez mijoter en remuant fréquemment pendant 8 à 10 minutes ou jusqu'à ce que le glaçage soit réduit et légèrement épaissi.

Breville

Breville

Juice Fountain® Classic

Fuente de Jugos Profesional

Breville es una marca registrada de Breville Pty. Ltd.

Breville Customer Service Centre

US Customers - Para Clientes en Estados Unidos

✉ 2851 E. Las Hermanas Street
Rancho Dominguez
CA 90221-5507

☎ Centro de Servicio al Cliente: 1 (866) BREVILLE

Email askus@brevilleUSA.com

www.brevilleusa.com

Canada Customers - Para Clientes en Canada

✉ Anglo Canadian
2555, avenue Aviation
Pointe-Claire (Montréal) Québec
H9P 2Z2

☎ Centro de Servicio al Cliente: 1 (866) BREVILLE

Fax (514) 683-5554

Email askus@breville.ca

www.breville.com

© Copyright. Breville Pty. Ltd. 2005

Debido a las continuas mejoras en el diseño u otros aspectos, es posible que el producto que usted compre sea levemente distinto al de la ilustración de este folleto.

Model JE900XL Issue 1/05



Model JE900XL

	Página
Recomendaciones básicas de seguridad	80
Componentes y características	82
Modo de empleo	83
Como armar la Fuente de Jugos	84
Como desarmar la Fuente de Jugos	89
Cuidado y limpieza	91
Guía de problemas y soluciones	93
Consejos prácticos	94
Compra y almacenamiento de Frutas y Vegetales	94
Preparación de frutas y vegetales	94
La técnica correcta	95
Cómo obtener la mezcla adecuada	95
Usando la pulpa	95
Datos de frutas y vegetales	96
Recetas	99



Felicidades

En la compra de su producto Nuevo Breville

IMPORTANTES SALVAGUARDIAS

En Breville diseñamos y fabricamos productos para el consumidor, teniendo en mente a nuestros valiosos clientes que son ustedes:

Lea todas las instrucciones antes de usar el extractor y consérvelas para referencias futuras.



- Siempre utilice este aparato en superficie nivelada.
- No empuje con los dedos. Siempre utilice el presionador de alimentos.
- No toque las cuchillas en la canasta del filtro de Acero Inoxidable
- No deje la Fuente de Jugos funcionando sin supervisión. En caso que los niños estén cerca de la máquina deberán ser supervisados. Este extractor no debe ser utilizado por niños.
- Asegúrese de que la Fuente de Jugos esté completa antes de usarlo. No funcionará 'on' a menos que esté propiamente armado.
- Siempre utilice la Fuente de Jugos en superficie seca.
- Siempre desconecte la Fuente de Jugos cuando no lo esté usando o lo esté armando.
- Revise periódicamente el cable. Cualquier signo de desgaste o daño no lo use más. Regrese a su centro de Servicio al Cliente para que lo revisen, reemplacen o reparen.
- No sumerja el cable del enchufe en agua u otros líquidos.
- No permita que el cable cuelgue, se tuerza, o toque superficies calientes.
- No ponga este aparato cerca de una estufa de gas o eléctrica, o donde toque un horno caliente.
- Siempre apague 'OFF' y quite el cable.
 - si está funcionando sin supervisión,
 - antes de limpiar
 - antes de mover de lugar
- Cualquier tipo de mantenimiento o limpieza deberá ejecutarse por un Centro Autorizado de Breville.
- Este aparato es para uso doméstico solamente.



DECLARACIÓN SOBRE EL CORDÓN ELÉCTRICO

SU LICUADORA TIENE UN CORDÓN (CABLE) CORTO COMO MEDIDA DE SEGURIDAD PARA EVITAR LESIONES PERSONALES O DAÑO A LA PROPIEDAD, COMO RESULTADO DE TIRARLO, TROPEZAR O ENREDARSE CON EL CORDÓN. NO PERMITA QUE LOS NIÑOS ESTÉN CERCA O USEN ESTE APARATO SIN SUPERVISIÓN DE UN ADULTO. SI DEBE UTILIZAR UN CORDÓN MÁS LARGO O UN ALARGADOR CUANDO USA EL APARATO, DEBE UBICAR EL CORDÓN DE MANERA QUE NO SOBRESALGA FUERA DEL MOSTRADOR O CUBIERTA DE LA MESA O SUPERFICIE DONDE LOS NIÑOS PUEDAN TIRARLO, O DONDE UNA PERSONA PUEDA INADVERTIDAMENTE TROPEZAR Y CAERSE. PARA PREVENIR UN GOLPE ELÉCTRICO, LESIONES PERSONALES O INCENDIO, LA CLASIFICACIÓN ELÉCTRICA DEL CORDÓN QUE USE DEBE SER IGUAL O MÁS ALTA QUE EL VATAJE DEL APARATO (EL VATAJE ESTÁ MARCADO EN LA PARTE DE ABAJO DEL APARATO).



CONDUCTO EXTRA ANCHO. NO PONGA LAS PANOS NI OBJETOS EN EL CONDUCTO. SIEMPRE UTILICE EL PRESIONADOR DE ALIMENTOS.

CONSERVE ESTAS INSTRUCCIONES

Componentes y características

Conducto extra ancho patentado caben manzanas, zanahorias, tomates y naranjas sin cascara grandes. Hace el jugo de los vegetales y frutas fácil y rápido

Filtro de Canasta de Acero Inoxidable.

Cubierta (se puede lavar en el lavaplatos)

Recipiente Grande para la Pulpa (se puede lavar en el lavaplatos)

Jarra de 1 litro de jugo with integrated handle for left or right integrada con agarradera derecha e izquierda (ver página XX)

Presionador de alimentos para empujar los vegetales y frutas enteras en el conducto extra ancho patentado

Brazo de seguridad-La Fuente de Jugos no funciona sin la cubierta y en posición vertical

Filtro de Recipiente redondo (se puede lavar en el lavaplatos)

Motor de 40 vatios de alta ejecución

Interruptor de Encendido y Apagado

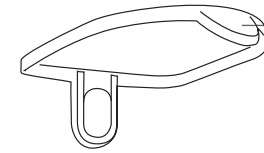
Clips para guardar el cable debajo de la base

Presentando el nuevo enchufé Breville Assist Plug™. Fácil de conectar, fácil para desconectar.

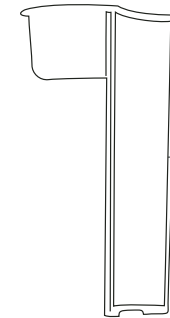


Diseño registrado.

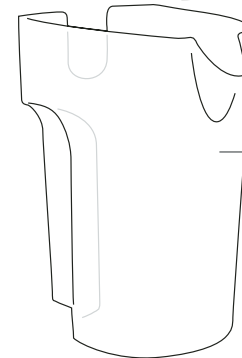
Modo de empleo jarra de 1 litro de jugo



Tapadera de la Jarra de Jugo para guardar el jugo en el refrigerado.



Accesorio para la espuma que permite separar la espuma del jugo cuando lo sirva en el vaso.



Jarra de jugo de 1 litro que se puede lavar en el lavaplatos

Para servir espuma en el jugo simplemente remueva el accesorio antes de servir.

Nota

Como armar la Fuente de Jugos

Paso 1

Coloque el Filtro de recipiente Redondo en la Base del Motor.

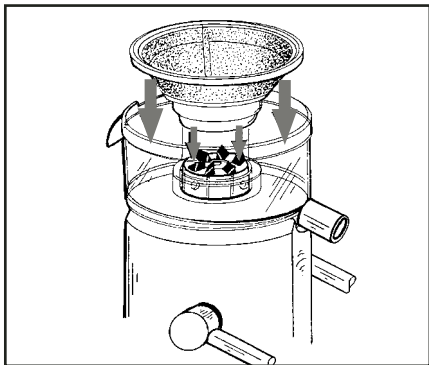


Paso 2

Siente la Canasta del Filtro de Acero Inoxidable dentro del Filtro Redondo.

Antes de conectar la Fuente de Jugos asegúrese de que el filtro de canasta de acero inoxidable se apriete hacia abajo.

Nota



Paso 3

Coloque la cubierta de la Fuente de Jugos sobre el Filtro Redondo, posicionando el conducto sobre el Filtro de Canasta de Acero Inoxidable y coloque en posición.



Paso 4

Eleve el Brazo de seguridad en la posición vertical de operación (Vea 4A).

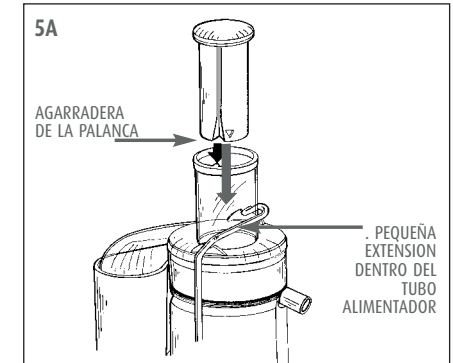


Coloque el Brazo de seguridad en las ranuras de ambos lados de la cubierta.



Paso 5

Deslice la palanca hacia abajo del conductor alineando las agarraderas con la pequeña extensión a los lados del tubo alimentador



Continúe deslizando la palanca hacia abajo del conducto (Por favor vea 5B)



Paso 6

Coloque el Contenedor de la pulpa en la posición volteando suavemente.

Para minimizar el lavado le recomendamos colocar una bolsa de plástico (o bolsa del mandado de plástico) en el contenedor para recoger la pulpa. La bolsa previene que la pulpa se esparza fuera del contenedor. (Por favor ver página **XX**).

That's the idea™



Paso 7

Coloque la jarra del jugo debajo del tubo del lado derecho del Extractor.

También puede usar un vaso para recoger el jugo.

Nota



Paso 1

Lave la variedad de frutas y vegetales listo para hacer jugo.

Mucha de la fruta y vegetales como manzanas, zanahorias y pepinos no deberán cortarse en piezas pequeñas ya que caben enteras en el conducto. Cuando haga zanahorias deje la punta hasta el final.

Nota

Paso 2

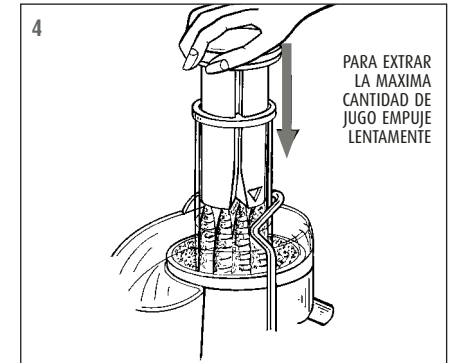
Asegúrese de la Fuente de Jugos esté correctamente armado. (Ver páginas 7, 8, y 9.) Asegúrese de colocar la jarra del jugo debajo del tubo.

Paso 3

Conecte el cable de enchufe de 240/240 voltios y encienda 'ON'. El apagador 'ON/OFF' de la Fuente de Jugos hacia abajo 'ON' para que funcione.

Paso 4

Con el motor funcionando coloque la comida en el conducto. Usando la palanca, suavemente baje la comida con la palanca. Para obtener la máxima cantidad de jugo, siempre empuje la comida por el conductor lentamente.



Paso 5

El jugo fluye a la jarra y separa la pulpa que se acumula en el Contenedor.

El Contenedor de Pulpa se puede limpiar apagando el extractor "OFF" y removiendo con cuidado. (Reemplace el Contenedor de Pulpa vacío para seguir exprimiendo).

Nota



NUNCA USE SUS DEDOS PARA EMPUJAR LA COMIDA AL CONDUCTO O PARA LIMPIAR EL CONDUCTO. SIEMPRE USE EL PRESIONADOR DE ALIMENTOS QUE SE INCLUYE.

Sugerencia:

Para minimizar el lavado le recomendamos colocar una bolsa de plástico (o bolsa de mandado de plástico) en el contenedor para recoger la pulpa. La bolsa previene que la pulpa se esparza fuera del contenedor. (para más ideas en como usar la página 19 en "Como usar la Pulpa).

No permita que la Pulpa llene el Contenedor ya que puede dañar la unidad.

Nota

Consejo de limpieza:

Para una limpieza rápida después de cada uso, enjuague las partes removibles debajo del agua (se remueve la pulpa pegajosa). Deje secar.



Étape 7

Placez la cruche à jus fournie sous le bec du côté droit du Juice Fountain.

Paso 1

Apague el Extractor 'OFF' y desconecte.

Paso 2

Remueva el contenedor de la pulpa moviendo un poco.



Paso 3

Ponga las 2 manos en el Brazo de Seguridad, levante lentamente y jale.



Paso 4

Mueva el Brazo de seguridad para abajo.



Paso 5

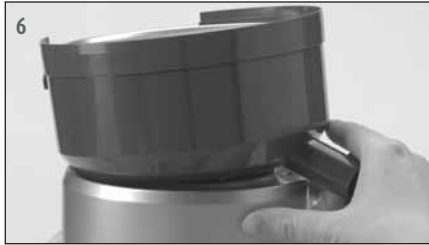
Levante la cubierta.



EL FILTRO DE CANASTA DE ACERO INOXIDABLE, CONTIENE CUCHILLAS AFILADAS QUE CORTAN LAS FRUTAS Y VEGETALES. NO TOQUE LAS CUCHILLAS CUANDO TOMA EL FILTRO.

Paso 6

Para quitar el Filtro de Canasta de Acero Inoxidable, detenga la base del extractor y de Vuelta al Filtro redondo.



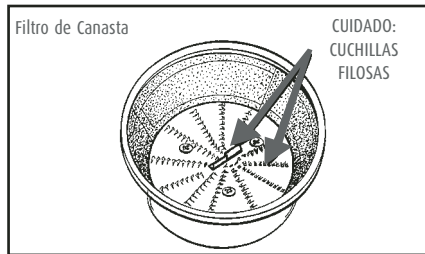
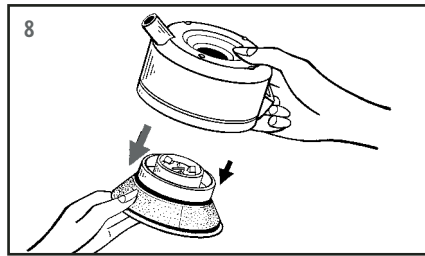
Paso 7

Levante juntos el Filtro Redondo con el Filtro de Acero Inoxidable.

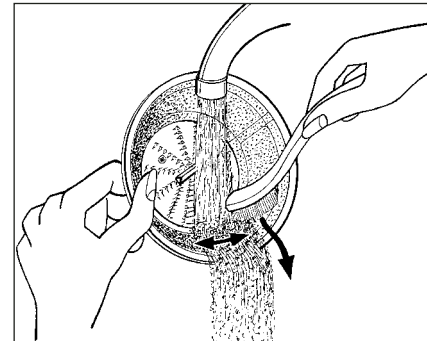


Step 8

Para quitar la Canasta del Filtro de Acero Inoxidable, de vuelta al Filtro hacia abajo y cuidadosamente quite el Filtro. (Es recomendable que remueva el Filtro en un fregador).



- Para una limpieza rápida - después de cada uso, enjuague las partes removibles debajo del agua (se remueve la pulpa pegajosa). Deje secar.
- Después de desarmar la unidad (ver página 12).
- Todas las partes removibles pueden lavarse con agua caliente jabonosa.
- La Cubierta de la Fuente de Jugos, el filtro, el contenedor de la pulpa y la jarra de jugo se pueden lavar en la lavadora. (Sólo en la parrilla de arriba).
- Limpie la Base del Motor con una toalla húmeda.
- Antes de lavar la jarra del jugo, remueva el accesorio de la espuma y enjuague bajo el agua. No lave el accesorio de la espuma en la lavadora de trastes.



- Un cepillo de nylon es la manera más efectiva de limpiar la Canasta del Filtro, detenga el Filtro debajo del agua y cepille de adentro para afuera. Siempre trate el Filtro con cuidado ya que se puede dañar.
- Decoloración de plástico puede ocurrir con frutas y vegetales de color fuerte. Para prevenir, lave las partes después de cada uso.
- Si la decoloración sucede en las partes de plástico se pueden remojar en blanqueador con agua, por un máximo de 5 minutos, enjuague completamente.
- No remoje el Filtro en blanqueador.



NO SUMERJA LA BASE DEL MOTOR EN AGUA O CUALQUIER OTRO LÍQUIDO.

EL CENTRO DEL FILTRO DE LA CANASTA Y EL CONDUCTO CONTIENE PEQUEÑAS CUCHILLAS PARA PROCESAR VEGETALES Y FRUTAS, NO TOQUE LAS CUCHILLAS CUANDO ESTÉ USANDO EL FILTRO O EL CONDUCTO.

Consejo:

Para minimizar el lavado le recomendamos colocar una bolsa de plástico para recoger la pulpa o (una bolsa de plástico del supermercado) Cuando termine simplemente recoja la bolsa (Para ideas de como usar la pulpa ver página XX).

Para remojar el Filtro de Acero Inoxidable en agua jabonosa y caliente por 10 minutos aproximadamente después de usarlo. Si la pulpa se queda en el filtro, causará que el filtro se tape y no tendrá la misma efectividad.

Para su conveniencia limpie con un cepillo de nylon que se incluye en la Fuente de Jugos.

That's the idea™

Problema	Posible solución fácil
La máquina no funciona cuando se conecta en la posición "ON"	El brazo de cierre de seguridad posiblemente no está correctamente situado en la posición vertical de operación. Sitúe el brazo de cierre entre las dos ranuras en cada lado de la cubierta de la máquina (vea la figura en la página 6, pasos 4A y 4B).
Parece que el motor se va a parar cuando se está	La pulpa mojada se puede acumular bajo la cubierta si la acción de exprimir es demasiado vigorosa. exprimiendo. Intente exprimir más despacio Empuje hacia abajo con el presionador de alimentos más despacio (refiérase a la página 8 paso 4).
Se acumula demasiada pulpa en la cesta de filtro con micro malla	Detenga el proceso de exprimido. Remueve la cubierta de la máquina y saque la pulpa. Vuelva a ensamblar y comience a exprimir de nuevo. Intente alternar entre variedades de vegetales y frutas (blandas y duras).
La pulpa está demasiado mojada y no hay suficiente jugo.	Intente exprimir más despacio. Saque la cesta con el filtro de malla y limpie las paredes de la malla con un cepillo fino en una mezcla de 70% de agua más 30% de cloro. Esto sacará el exceso de fibra de fruta o de vegetales que se haya acumulado y que puede estar impidiendo que el jugo fluya.
El jugo gotea entre el borde cubierta de la máquina y el filtro	Intente exprimir más despacio. Empuje con el presionador de alimentos más despacio (refiérase a la página XX paso 4). No se recomienda exprimir sandía en la Fuente de jugos debido a su alto contenido en agua.
El tazón alrededor del jugo salpica	Intente exprimir más despacio, empujando el presionador de alimentos más despacio (refiérase a la página 8, paso 4).

Aunque las bebidas de jugo en este folleto se desarrollaron pensando en el sabor, la textura y el aroma, los beneficios para la salud ciertamente son un valor añadido a la experiencia de un sabor agradable. El 95% del contenido en nutrientes de la fruta y los vegetales se encuentran en el jugo. Los líquidos extraídos de las frituras frescas y los vegetales forman una parte importante de una dieta balanceada. La fruta fresca y los jugos vegetales son una fuente fácil de vitaminas y minerales. Los jugos se absorben rápidamente en la corriente sanguínea y por tanto son la forma más rápida en la que el cuerpo puede digerir nutrientes.

Cuando usted hace sus propios jugos, usted tiene un control completo sobre lo que quiere incluir en ellos. Usted selecciona los ingredientes y decide si necesita usar azúcar, sal o cualquier otro sabor. Los jugos frescos recién extraídos deben beberse justo después de que se han hecho, para evitar la pérdida de contenido en vitaminas.

Compra y almacenamiento de frutas y vegetales

- Lave siempre la fruta y los vegetales antes de exprimir el jugo.
- Use siempre frutas y vegetales frescos para sacar el jugo.
- Para ahorrar dinero y obtener un producto más fresco, compre frutas y vegetales de temporada (vea la tabla de información sobre fruta y vegetales en las páginas 14 y 15).
- Debido al alto contenido en el jugo que tiene la sandía no es recomendable exprimirla en la Fuente de jugos.
- Mantenga sus frutas y vegetales siempre listos para exprimir y lávelos antes de almacenarlos.

- La mayoría de las frutas y vegetales de tipo duro se pueden almacenar a temperatura ambiente fresca. Los más delicados y perecederos como tomates, bayas, vegetales de hoja verde, apio, pepinos y hierbas, deben almacenarse en el refrigerador hasta que se vayan a usar.

Preparación de frutas y vegetales

- Si está usando frutas con cascavas duras o no comestibles como melones, mango y kiwi, quite cascava la antes de ponerlas en la máquina. Las piñas solo requieren que se les quite la parte de arriba antes de exprimirlas, no la cascava.
- Los cítricos se pueden exprimir en la Fuente Profesional de Jugos si se pelan primero.
- Todas las frutas con hueso y semillas como las nectarinas, duraznos, albaricoques, ciruelas y cerezas, deben exprimirse después de haberse limpiado.
- Se puede añadir una pequeña cantidad de jugo de limón al jugo de manzana para evitar que se oxiden.

Su Fuente de jugos profesional hace un jugo de naranjas vigoroso y espumoso. Simplemente pele las naranjas y exprima (es mejor refrigerar las naranjas antes de exprimirlas).

That's the idea™

La técnica correcta

Cuando este exprimiendo una variedad de ingredientes de diferentes texturas, obtendrá mejores resultados alternando los ingredientes duros con los blandos. Por ejemplo si está haciendo jugo con dos vegetales duros como las zanahorias y pastinacas y un tipo más blando como los tomates, comience con la pastinaca, luego los tomates y acabe con la zanahoria. Alternando entre los vegetales duros y blandos, ayuda a que se limpie el filtro de acero inoxidable entre los vegetales. Esto permite que la máquina extraiga la máxima cantidad de jugo de cada vegetal.

Si está usando hierbas, germinados o vegetales verdes pequeños, es una buena idea envolverlos en una hoja grande de lechuga o de espinaca y pasarlos a través del conducto entre trozos de vegetales más firmes.

Todas las frutas y vegetales producen diferentes cantidades de líquidos. Esto varía dentro del mismo grupo, por ejemplo un grupo de tomates puede producir más jugo que otro. Debido a que las recetas de jugos no son exactas y exprimir no es una ciencia, las cantidades exactas de cualquier jugo no son cruciales para el éxito de una mezcla en particular. Para extraer la máxima cantidad de jugo, empuje despacio siempre el presionador de alimentos.

Para extraer la máxima cantidad de jugo, empuje despacio siempre el presionador de alimentos.

Nota

Cómo obtener la mezcla adecuada

No es difícil obtener una receta con gran sabor. Si usted ha estado haciendo sus propios jugos vegetales y de frutas, entonces usted sabe lo simple que es inventar nuevas combinaciones. El sabor, color, textura y preferencias de ingredientes son algo personal. Simplemente piense en algunos de sus sabores y comidas favoritas. ¿Combinarán juntos o no? Algunos sabores fuertes se sentirán más que los sabores más sutiles. Sin embargo, es una buena regla combinar ingredientes con alimentos de pulpa, con aquellos que tienen mucha humedad.

¡Experimente! Cualquier fruta o vegetal que a usted le guste puede formar parte de su siguiente bebida. Usted puede usar una fruta para dar un sabor predominante y acentuado con otro sabor. Las opciones sólo se limitan a su imaginación.

Cómo usar la pulpa

La pulpa que queda después de exprimir frutas o vegetales, es en su mayoría fibrosa y con celulosa, y al igual que el jugo, contiene nutrientes vitales para una dieta diaria que se pueden usar en muchas formas diferentes. Sin embargo, al igual que el jugo, la pulpa debe usarse ese día para evitar la pérdida de vitaminas.

Hay una serie de recetas contenidas en este libro para el uso de pulpa (refiérase a la página 22 y 23). Aparte de estos, algunos de los otros usos de la pulpa son para darle volumen a moldes de carne y vegetales, espesar cacerolas o sopas, o en el caso de las frutas, simplemente situadas en un tazón, cubiertas con merengue y horneadas para obtener un postre simple. Aparte del uso para como alimento, la pulpa es excelente como abono para el jardín.

Datos de frutas y vegetales

Frutas y Vegetales	La Mejor Temporada para Comprar	Almacenamiento	Valor Nutricional	Calorías
Manzanas	Otoño/ Invierno	Bolsas de plástico en el refrigerador	Fibra Alta y Vitamina C	200grams la Manzana =300kj(72 calorías)
Chabacanos	Verano	Sin tapar en el cajón crujiente del refrigerador	Fibra Alta Contiene Potasio	30g Chabacano =85kj (20 calorías)
Raíz de	Invierno	Quite las raíces,	Buena fuente de	160g Raíz de Betabel
Betabel		guarde sin tapar en el refrigerador	Fosfato y Fibra Vitamina C y Potasio	+190kj (45 calorías)
Arándanos	Verano	Cubra en el refrigerador	Vitamina C	125 grms de Arándanos =295kj(70 calorías)
Brocolí	Otoño/ Invierno	En bolsa de plástico en el refrigerador	Vitamina C Fosfato, B2, B5, E, B6 y Fibra	100grms de Brocoli =110kj(26 calorías)
Col de	Otoño/	Sin tapar en	Vitamina C	100grms de Col de
Bruselas	Invierno	el cajón crujiente del refrigerador	Fosfato, B2, B5, E, B6 y Fibra	Bruselas =110kj(26 calorías)
Repollo	Invierno	Guarde, en trozos en el refrigerador	Vitamina C Fosfato, Potasio y Fibra	100grms de Repollo =110kj(26 calorías)
Zanahorias	Invierno	Sin tapar en el refrigerador	Vitamina A, C, B6 y Fibra	120 grms de zanahoria =125kj (30 calorías)
Coliflor	Otoño/ Invierno bolsa de plástico	Quite las hojas, y guarde en una bolsa de plástico en el refrigerador	Vitamina C, B5, B6 Fosfato, Vitamina K y	100grms de Coliflor =55kj(13 calorías)
Apío	Otoño/ Invierno	Refrigere en bolsa de plástico	Vitamina C y Potasio	80 grms de tallos =55kj (7 calorías)
Pepino	Verano	Crujiente en el refrigerador	Vitamina C	280 grms de Pepino =120kj(29 calorías)
Cañaheja	Invierno/ Primavera	Crujiente en el refrigerador	Vitamina C y Fibra Alta	300 grms de Cañaheja =145kj(35 calorías)
Uvas	Verano	Bolsa de plástico en el refrigerador	Vitamina C, B6 y Potasio	125 grms de Uva =355kj (85 calorías)
Kiwi	Invierno	Crujiente en el refrigerador	Vitamina C y Potasio	100 grms de Kiwi =100kj (40 calorías)

Frutas y Vegetales	La Mejor Temporada para Comprar	Almacenamiento	Valor Nutricional	Calorías
Mangos	Verano	Cubiertos en el refrigerador	Vitamina A, C, B1, B6 y Potasio	240 grms de Mango =200kj (102 calorías)
Melones	Verano/ Otoño/	Crujiente en el refrigerador	Vitamina C, Follaje, Fibra y Vitamina A	200 grms de Melon =210kj(50 calorías)
Nectarinas	Verano	Crujiente en el refrigerador	Vitamina C B3, Potasio y Fibra	180 grms de Nectarina =355kj (85 calorías)
Naranjas	Verano/ Otoño/ Primavera	Fría, en un lugar seco por 1 semana después guarde en el refrigerador	Vitamina C 35mgrs/100grms	150 grms de Naranja =160kj
Duraznos	Verano	Refrigere sin tapar	Vitamina C B3 Potasio y Fibra	150 grms de Durazno =205kj (49 calorías)
Peras	Otoño	Refrigere sin tapar	Fibra	150 grms de Pera =250kj (59 calorías)
Piñas	Verano	Guarde en el refrigerador sin tapar	Fibra	150 grms de Piña =245kj (59 calorías)
Ciruelas	Verano	Sin tapar en el refrigerador	Fibra	70 grms de Ciruelas =110kj (26 calorías)
Frambuesas	Verano refrigerador	Cubiertas en el Potasio y Magnesio	Vitamina C, Hierro, =130kj (31 calorías)	125 grms de Frambuesas
Tomates	Verano	Sin tapar en el cajón de crujiente del refrigerador	Vitamina C Fibra Vitamina E, Fosfato y Vitamina A	100 grms de Tomates =90kj (22 calorías)

Su Fuente de Jugos hace jugos de naranja con espuma. Simplemente pele las naranjas y haga el jugo. (Siempre refrigere las naranjas antes de harcelas jugo).

That's the idea™

Delicious recipes

Includes instructions for use



Comienzos frescos	59
Substitutos de vitaminas	61
Lonches líquidos	62
Bebidas refrescantes	64
Jugos con alcohol	66
Bebidas energéticas	67
Fibras favoritas	68

Jugo de manzana, zanahoria y apio



Puede alterar las cantidades de zanahorias o manzanas para hacer que el jugo sea más dulce o más ácido, dependiendo de su gusto.

4 manzanas pequeñas Granny Smith
3 zanahorias medianas, cortadas
4 tallos de apio

1. Procese las manzanas, zanahorias y apio con la fuente de jugos.

Mezcle bien y sirva inmediatamente.

Jugo de tomate zanahoria, apio y lima



2 tomates medianos
1 zanahoria grande, cortada
2 tallos de apio, cortados
1 lima, sin cascara

1. Procese los tomates, zanahoria, apio y lima con la Fuente de Jugos.

Sirva inmediatamente.

Jugo de zanahoria, betabel (remolacha) y naranja



2 zanahorias medianas, cortadas
3 betabel (remolacha) medianos, cortados
4 naranjas, peladas

1. Procese las zanahorias, betabel (remolacha) y naranjas con la Fuente de Jugos.

Sirva inmediatamente.

Jugo de manzana, durazno y toronja



1 manzana pequeña Red Delicious
2 duraznos grandes, partido por la mitad y sin el hueso
2 toronjas, peladas

1. Procese la manzana, duraznos y toronja con la Fuente de Jugos.

Sirva inmediatamente.

Jugo de piña, durazno y pera



1/2 piña pequeña, partida y cortada por la mitad
2 duraznos, partidos por la mitad y sin hueso
2 peras pequeñas maduras

1. Procese la piña, durazno y pera con la Fuente de Jugos.

Sirva inmediatamente.

Jugo de manzana, pera y fresa



- 1 manzana pequeña Granny Smith
- 3 peras pequeñas maduras
- 1 taza de fresas, cortada

1. Procese la manzana, peras y fresas con la Fuente de Jugos.

Sirva inmediatamente.

Jugo de melón, menta y mango



- 1/2 melón pequeño, pelado, sin semillas y partido por la mitad
- 3 ramitos de hojas de menta frescas
- 1 mango, partido por la mitad, sin semillas y cascara sin hueso

1. Procese el melón, la menta y el mango con la Fuente de Jugos.

Sirva inmediatamente.

Jugo de tomate, pepino, perejil y zanahoria



- 3 tomates medianos
- 1 pepino grande
- 1 ramo grande de perejil fresco
- 3 zanahorias medianas, cortadas

1. Procese los tomates, pepino, perejil y zanahorias con la Fuente de Jugos.

Sirva inmediatamente.

Jugo de papa dulce, apio, jengibre y naranja



- 4 tallos de apio, cortados
- 1 papa dulce grande, cortada por la mitad
- 1 trozo de 2.5cm (1 pulg; 2.5cm) de jengibre fresco
- 4 naranjas, peladas

1. Procese el apio, papa dulce, jengibre y naranjas con la Fuente de Jugos.

Sirva inmediatamente.

Jugo de pastinaca, apio y pera



- 2 pastinacas, cortadas
- 4 tallos de apio, cortados
- 4 peras medianas, sin los tallos

1. Procese las pastinacas, apio y peras con la Fuente de Jugos.

Sirva inmediatamente.

Jugo de tomate, zanahoria y pimiento rojo



- 2 pimientos rojos pequeños
- 3 tomates medianos
- 3 zanahorias, cortadas
- 4 ramitos de perejil

1. Corte la base de los pimientos y saque las semillas.
2. Procese los tomates, zanahorias, perejil y pimientos con la Fuente de Jugos.

Sirva inmediatamente.

Jugo de mora, pera y toronja



- 1 cesta de pinta (250g) de moras
- 3 peras maduras
- 2 toronjas, peladas

1. Procese las moras, peras y toronjas con la Fuente de Jugos.

Sirva inmediatamente.

Jugo de betabel (remolacha), manzana y apio



- 4 betabeles (remolacha) de tamaño mediano, cortados
- 2 manzanas Granny Smith medianas
- 4 tallos de apio

1. Procese el betabel (remolacha), manzanas y apio con la Fuente de Jugos.

Sirva inmediatamente.

Jugo de arándano, mora, fresa y lima



- 2 cestas de pinta (500g) de moras
- 2 cestas de pinta (500g) de arándanos
- 2 cestas de pinta (500g) de fresas, vaciadas
- 1 lima, sin cascara

1. Procese las moras, arándanos, fresas y lima con la Fuente de Jugos.

Sirva inmediatamente.

Jugo de pepino, apio, anís y germinado de frijol



- 1 pepino grande
- 3 tallos de apio
- 1 bulbo de anís, cortado
- 2 tazas (2 tazas; 200 g) de brotes de frijol

1. Procese el pepino, apio, anís y germinados con la Fuente de Jugos.

Sirva inmediatamente.

Jugo de naranja espumoso



- 2lbs (1kg) de naranjas, peladas

1. Procese las naranjas con la Fuente de Jugos.

Sirva inmediatamente.

(Es mejor refrigerar las naranjas antes de exprimir las)

Sopa de vegetales frescos con fideos



- 1 tomate pequeño
- 1 cebolla pequeña, pelada y cortada
- 2 zanahorias
- 1 pimiento verde, sin la base y sin las semillas
- 1 cucharada de mantequilla
- 1 cucharada de harina integral
- 1 taza (375ml) de caldo vegetal
- 15oz (425g) de frijoles horneados en lata
- 1 paquete de fideos instantáneos en 2 minutos
- Pimienta negra fresca molida

1. Procese el tomate, cebolla, zanahorias y pimiento verde con la Fuente de Jugos.
2. Derrita la mantequilla en una sartén a fuego medio.
3. Añada la harina, cocine durante un minuto, removiendo constantemente.
4. Añada el jugo, caldo vegetal y frijoles horneados.
5. Espere a que hierva y después reduzca el calor. Deje hervir a fuego lento durante 10 minutos.
6. Añada los fideos, cueza sólo por 2 minutos o hasta que los fideos estén tiernos.

Vierta en 4 tazones para sopa, espolvoree con pimienta negra al gusto y sirva inmediatamente.

Gazpacho



- 4 tomates medianos
- 4 ramitos de perejil fresco
- 1 diente de ajo grande, pelado
- 1 cebolla pequeña, pelada y cortada
- 2 zanahorias
- 2 tallos de apio
- 1 pimiento rojo, sin la base y sin semillas
- 1 pepino inglés
- 2 cucharadas (30ml) de vinagre de vino rojo
- Pimienta negra fresca molida
- 1 taza (150g) de hielo triturado
- 3 cucharadas (45ml) de albahaca fresca triturada

1. Procese los tomates, perejil, ajo, cebolla, zanahorias, apio, pimiento rojo y pepino con la Fuente de Jugos.
 2. Añada vinagre y pimienta negra.
 3. Sitúe el hielo en cuatro tazones para sopa
- Vierta el juego extraído, espolvoree con albahaca y sirva inmediatamente.

Bebida de yogurt de mango, melón y naranja



- 1 mango, partido por la mitad, pelado y sin hueso
- ½ melón, pelado, sin semillas y cortado en dos porciones iguales
- 5 naranjas, peladas
- 3 cucharadas (45ml) de yogurt natural

1. Procese el mango, melón cantaloupe y naranjas con la Fuente de Jugos.
 2. Vierta en un tazón grande, añada el yogurt.
- Sirva inmediatamente.

Pasta con salsa estilo provenzal



- 4 personas
- 4 tomates
- 2 ramitos de perejil fresco
- 1 tallo de apio
- 2 dientes grandes de ajo
- 1 cebolla pequeña, pelada y cortada
- 1 pimiento rojo, sin la base y sin semillas
- 1 cucharada (15ml) de pasta de tomate
- ½ taza (125ml) de vino rojo
- 2 cucharaditas (10ml) orégano seco
- 2 tazas (500g) de pasta cocinada
- 3 cucharadas (3 cucharadas; 45ml) de queso Parmesano rallado

1. Procese los tomates, perejil, apio, ajo, cebolla y pimiento rojo.
 2. Mezcle la pasta de tomate con el vino rojo, añada el jugo extraído.
 3. Vierta en una sartén y cocine a fuego medio durante 3-4 minutos.
 4. Añada la pasta y mezcle para cubrir bien. Divida la mezcla entre 4 tazones para servir.
 5. Espolvoree con orégano y queso parmesano.
- Sirva inmediatamente.

Bebidachispeante de pera y chabacano (albaricoque)



4 chabacanos (albaricoques) grandes, partidos por la mitad y sin hueso
3 peras grandes
1 taza (250ml) de agua mineral
1 taza (150g) de hielo triturado

1. Procese los chabacanos (albaricoques) y peras con la Fuente de Jugos.
 2. Ponga hielo en 4 vasos altos.
 3. Divida el jugo extraído entre los vasos.
 4. Ponga agua mineral y remueva bien para mezclar.
- Sirva inmediatamente.

Triturado de melón, fresa y fruta de la pasión



½ melón, pelado, sin semillas y dividido en 2 porciones iguales
1 cesta de pinta (250g) de fresas
La pulpa de 2 frutas de la pasión
1 taza (150g) de hielo triturado

1. Procese el melón cantaloupe y fresas con la Fuente de Jugos.
 2. Añada la pulpa de la fruta de la pasión.
 3. Ponga hielo en 4 vasos, vierta sobre el jugo, mezcle bien para combinar.
- Sirva inmediatamente.

Mezcla tropical



2 mangos, partidos por la mitad, sin hueso y pelados
3 kiwis, pelados
½ piña, cortada y dividida en 2 porciones iguales
½ taza (20g) de hojas de menta frescas
1 taza (150g) de hielo triturado

1. Procese los mangos, kiwi, piña y menta con la Fuente de Jugos.
 2. Ponga hielo en 4 vasos, vierta sobre el jugo, mezcle bien para combinar.
- Sirva inmediatamente.

Bebida helada de tomate, nectarinafruta de la pasión y menta



6 tomates
2 nectarinas
½ taza (20g) de hojas de menta frescas
La pulpa de 4 frutas de la pasión
1 taza (150g) hielo triturado

1. Procese los tomates, nectarinas y hojas de menta con la Fuente de Jugos.
 2. Añada la pulpa de la fruta de la pasión.
 3. Ponga hielo en 4 vasos, vierta sobre el jugo y mezcle bien.
- Sirva inmediatamente.

Bebida helada de pepino, piña y cilantro



½ piña, cortada y dividida en 2 porciones iguales
2 pepinos
½ taza (20g) de hojas frescas de cilantro
1 taza (150g) de hielo triturado

1. Procese la piña, pepinos y cilantro con la Fuente de Jugos.
 2. Ponga hielo en 4 vasos, vierta sobre la mezcla, mezcle bien para combinar.
- Sirva inmediatamente.

Triturado de pera, rábano y apio



3 peras medianas
4 rábanos, cortados
3 tallos de apio
1 taza (150g) de hielo triturado

1. Procese las peras, rábanos y apio con la Fuente de Jugos.
 2. Ponga el hielo en 4 vasos, vierta sobre el jugo, mezcle bien para combinar.
- Serve immediately.

Piña colada de coco



- ½ coco, pelado y partido por la mitad
- ½ piña grande, cortada y partida por la mitad
- 3 cucharadas (45ml) de ron de coco
- 2 tazas (500ml) de agua de soda
- 1 taza (150g) de hielo triturado

1. Procese el coco y la piña con la Fuente de Jugos.
 2. Añada el ron y el agua de soda.
 3. Ponga el hielo en 4 vasos grandes, vierta la mezcla de jugo, mezcle bien para combinar.
- Sirva inmediatamente.

Sueño de melón honeydew



- 1 melón honeydew, pelado, sin semillas y a cuadros
- 3 cucharadas (45ml) de licor midori
- 2 tazas (500ml) de agua de soda
- 1 taza (150g) de hielo triturado

1. Procese el melón honeydew con la Fuente de Jugos.
 2. Añada el licor y el agua de soda.
 3. Ponga el hielo en 4 vasos altos, vierta sobre la mezcla de melón, mezcle bien para combinar.
- Sirva inmediatamente.

Bloody mary



- 4 tomates medianos
- 2 tallos de apio
- 1 pimiento rojo grande, sin la base y sin semillas
- ½ taza (75ml) de vodka
- 1 taza (150g) de hielo triturado

1. Procese los tomates, apio y pimiento rojo con la fuente de jugos.
 2. Añada el vodka. Ponga el hielo en 4 vasos, vierta sobre la mezcla de tomate, mezcle bien para combinar.
- Sirva inmediatamente.

Bebida de durazno y menta



- 6 duraznos, partidos por la mitad y sin hueso
- ½ taza (20g) de hojas de menta frescas
- 2 cucharadas (30ml) de crème de menthe (crema de menta)
- 2 cucharaditas (10ml) de azúcar
- ½ taza (75g) de hielo triturado
- 2 tazas (500ml) de agua mineral

1. Procese los duraznos y hojas de menta con la Fuente de Jugos.
 2. Añada la crème de menthe y el azúcar.
 3. Ponga el hielo en 4 vasos, vierta sobre la mezcla de durazno, mezcle y combine bien.
- Sirva inmediatamente.

Energética de uva, kiwi y arándanos



- Las uvas contienen potasio y hierro y proporcionan un buen reconstituyente después de un día cansado.
- 3 tazas (500g) de uvas verdes sin semillas y sin tallos
- 2 frutas de kiwi, peladas
- 250g (1 cesta de pinta) de fresas
- 2 tazas (500ml) de leche descremada
- 2 cucharadas (30ml) de bebida de polvo de proteína
- ½ taza (75g) de hielo triturado

1. Procese las uvas, kiwi, y fresas con la Fuente de Jugos.
 2. Mezcle la leche, bebida de proteína y hielo triturado.
- Sirva inmediatamente.

Chispa de chabacano, manzana y pera



- 4 chabacanos grandes, partidos por la mitad y sin hueso
- 4 manzanas rojas pequeñas
- 3 peras medianas
- 1 taza (250ml) de agua mineral con burbujas
- ½ taza (75g) de hielo triturado

1. Procese los chabacanos (albaricoques), manzanas y peras con la Fuente de Jugos.
 2. Añada el agua mineral y el hielo.
- Sirva inmediatamente.

Refresco de betabel (remolacha), zanahoria y naranja



- 8 zanahorias
- 2 betabel (remolachas), cortadas
- ¼ taza de hojas de menta frescas
- 4 naranjas, peladas

1. Procese las zanahorias, betabel (remolachas), hojas de menta y naranjas con la Fuente de Jugos.
- Sirva inmediatamente.

Las siguientes recetas se han creado para poder usar los restos de polpa que dejan los vegetales y frutas después de exprimirlos, para no tener que tirarlos.

Flan de zanahoria, calabaza y feta

MAKES
6 SERVES

8 hojas de masa de hojaldre
4 cucharadas (60g) de mantequilla, derretida
1 puerro, finamente cortado
1 taza (160g) de pulpa de calabaza
1 taza (120g) de pulpa de zanahoria
8 oz (250g) de queso feta, desmigajado
3 huevos
1 clara de huevo
½ taza (125ml) leche
2 cucharadas (30ml) de ralladura de naranja
3 cucharadas (45ml) de perejil fresco triturado

1. Sitúe las hojas de hojaldre, cepillando entre cada hoja con mantequilla. Eleve la masa en un anillo de flan de 25cm (10 pulg; 25cm), presionándolo sobre la base y el lado. Corte el borde de la masa alrededor de 1.5cm (½ in; 2cm) más alto que el lado del anillo.
2. Mezcle el puerro, calabaza, zanahoria, queso feta, huevos, clara de huevo, leche, corteza de naranja y perejil. Vierta en el molde de masa y hornee a 180°C (350°F; 180°C) durante 25-30 minutos o hasta que este dorado y asentado.

Sopa de vegetales y tocino

MAKES
4 SERVES

1 cucharada (15g) de mantequilla
1 cebolla, finamente cortada
1 jamón con hueso
3 tazas (350g) de pulpa de betabel (remolacha), colada y con el jugo reservado
½ taza (50g) de pulpa de papa, colada y con el jugo reservado
½ taza (50g) de pulpa de zanahoria, colada y con el jugo reservado
1 taza (100g) de pulpa de tomate, colada y con el jugo reservado
50g (50g) pulpa de col, colada y con el jugo reservado y suficiente agua para hacer 2 litros (2L)
4 rebanadas de tocino, trituradas
1 cucharada (15ml) de jugo de limón
½ taza (11g) de crema agria

1. Derrita la mantequilla en una sartén grande, cocine la cebolla sobre un fuego medio durante 2-3 minutos o hasta que estén dorados. Añada el hueso de jamón a la sartén, mezcle la pulpa de betabel (remolacha), pulpa de zanahoria, pulpa de tomate, pulpa de col, jugos reservados y agua, tocino y jugo de limón. espere a que hierva, reduzca el calor y deje hervir a fuego lento durante 30-40 minutos.
2. Saque el hueso del jamón y deséchelo y corte la carne finamente. Regrese a la sartén.
Sirva cubierto con crema agria.

Pasteles de zanahoria, manzana y apio

MAKES
8 SERVES

2 cucharadas (30g) de mantequilla
1 cebolla pequeña, finalmente cortada
4½ tazas (500g) de pulpa de zanahoria, manzana y apio colada (ver receta del jugo en la página XX)
1 taza (250g) de queso cottage
2 cucharadas (30ml) de menta fresca triturada
1 huevo, batido
12 hojas de masa de hojaldre
4 cucharadas (60g) mantequilla, extra derretida
1 taza de queso rallado parmesano fresco

1. Derrita la mantequilla en la sartén, añada cebolla y cocine durante 2-3 minutos o hasta que esté blanda, sazonando al gusto. Combine la pulpa de cebolla, zanahoria, manzana y apio, queso cottage, menta y huevo en un tazón.
2. Corte las hojas de hojaldre por la mitad, ponga 3 hojas sobre una mesa de cocina, cubra el resto de la masa con papel de parche o encerado, y luego cubra con un paño húmedo para evitar que se seque. Cepille 1 hoja de la masa con mantequilla extra, rocíe con queso parmesano, ponga encima otra hoja de masa, cepille con mantequilla, rocíe con mas queso. Repita con las últimas tres hojas de masa.
3. Ponga 6 cucharadas (40g) de mezcla de zanahoria en un extremo de la masa, doble los bordes y enrolle. Repita con el resto de la masa y la mezcla de pulpa. Sitúe en una charola de horno engrasada y hornee a 200°C (400°; 200°C) durante 20-25 minutos o hasta que esté dorado.

Pastillitos calientes de pastinaca, hierbas

MAKES
6 SERVES

2 tazas (240g) de pulpa de pastinaca, colada
¼ taza (60ml) de leche
2 huevos por, separado
¼ taza (40g) harina de maíz
¼ taza (35g) harina ya preparada con levadura
1 cucharadita (5ml) de tomillo fresco triturado
1 cucharadita (5ml) de romero fresco triturado
1 cucharadita (5ml) de sazón de cajún
1 pimiento rojo pequeño, finamente troceado
1 cucharada (15ml) de aceite

1. Combine la pulpa de la pastinaca, leche, yemas de huevo harina ya preparada con levadura, harina de maíz, tomillo, romero, sazón de cajún y pimiento rojo en un tazón grande. Bata las claras de huevo hasta que se formen picos suaves, añádale a la mezcla de pastinaca.
2. Caliente el aceite en una sartén grande de freír, y ponga cucharadas de la mezcla en una charola. Cocine durante alrededor de 1 minuto en cada lado o hasta que estén doradas.
Sirva inmediatamente.

Mousse de arándanos y chocolate blanco

MAKES
6 SERVES

8oz (200g) de chocolate blanco
1 taza (200g) de pulpa de fresa
1 taza (200g) de pulpa de frambuesa
1 cucharada (15ml) de polvo de gelatina disuelta en 3 cucharadas (45ml) de agua caliente
3 yemas de huevo
¼ taza (300ml) de crema espesa
¼ taza (50g) de azúcar para glasear
2 cucharadas (30ml) de Grand Marnier

1. Derrita el chocolate sobre agua caliente, enfríelo, con cuidado de que no se asiente. Combine la pulpa de fresa y la pulpa de frambuesa y déjelas a un lado. Combine el chocolate, mezcla de gelatina y yemas de huevos, mezcle hasta que este pálido y brillante. Bata la crema hasta que se formen picos suaves, añádalo a la mezcla del chocolate con la pulpa de arándanos y el grand marnier. Vierta en un molde de capacidad para 5 tazas (5 tazas; 1250 ml). Refrigere durante varias horas o por la noche.

Molde de té de zanahoria

MAKES
16 SERVES

1½ tazas (210g) de harina para todo uso
2 cucharaditas (10ml) de levadura
½ cucharadita (2ml) de nuez moscada
½ cucharadita (2ml) de canela
½ cucharadita (2ml) de cardamomo
½ taza (60g) de cacahuates, troceados
½ taza (80g) de pasas doradas
½ taza (85g) de azúcar moreno, firmemente empacado
1½ tazas (180g) de pulpa de zanahoria
½ taza (125ml) de aceite
2 huevos, ligeramente batidos
¼ taza (55g) de crema agria

1. Engrase y cubra un molde rectangular de 11cm x 21cm (4 in x 8 in; 11cm x 21cm). Mezcle la harina y la levadura en un tazón de mezclar grande, añada nuez moscada, canela, cardamomo, cacahuates, pasas doradas, azúcar marrón y pulpa de zanahoria. Mezcle para combinar. Mezcle los huevos el aceite y la crema agria. Añada los ingredientes secos. Mezcle con la mezcladora eléctrica usando la velocidad media hasta que todos los ingredientes estén bien mezclados. Vierta en el molde engrasado.
2. Hornee a 180°C (350°; 180°C) durante 1 hora o hasta que el molde esté cocinado cuando lo compruebe con un pincho. Sáquelo del horno, y deje que permanezca en el molde durante 5 minutos antes de invertirlo en una bandeja

Meat loaf familiar

MAKES
4-6 SERVES

1lb (500g) de carne de res molida
1lb (500g) salchicha a granel
2 cebollas, finamente picadas
½ taza (60g) de pulpa de zanahoria, colada
½ taza (80g) de pulpa de papa, colada
2 cucharaditas de polvo de curry
1 cucharadita (1 cucharadita; 5ml) de comino molido
1 cucharada (1 cucharada; 15ml) de perejil fresco troceado
1 huevo, ligeramente batido
½ taza (125 ml) de leche evaporada
½ taza (125 ml) de caldo de carne
Pimienta negra fresca molida
2 cucharadas (30 ml) de almendras cortadas

SALSA DE TOMATE

½ taza (125ml) de caldo de res
4 cucharadas (60ml) de salsa de tomate
1 cucharadita (5ml) de polvo de café instantáneo
3 cucharadas (45ml) de salsa worcestershire
1½ cucharadas (20ml) de vinagre
1½ cucharadas (20ml) de jugo de limón
3 cucharadas (45ml) de azúcar morena
¼ taza (60g) de mantequilla

1. Vierta la carne, salchicha, cebollas, pulpa de zanahoria, polvo de curry, comino, perejil, huevo, leche evaporada, caldo y pimienta negra en un tazón y mézclelo para combinar. Presione la mezcla en un molde rectangular engrasada de 11 x 21cm (4 in x 8 in; 11 x 21cm). Vierta la salsa sobre el molde de carne, espolvoree con almendras y hornee, rociando a menudo con la salsa, durante 60 minutos o hasta que el termómetro de la carne registre 74°C (165°; 74°C).
2. Para hacer la salsa, ponga el caldo, salsa de tomate, polvo de café, salsa worcestershire, vinagre, jugo de limón y mantequilla en una sartén y hierva a fuego medio. Reduzca el calor y deje hervir a fuego lento, removiendo con frecuencia 8-10 minutos o hasta que la salsa se reduzca y se espese ligeramente.