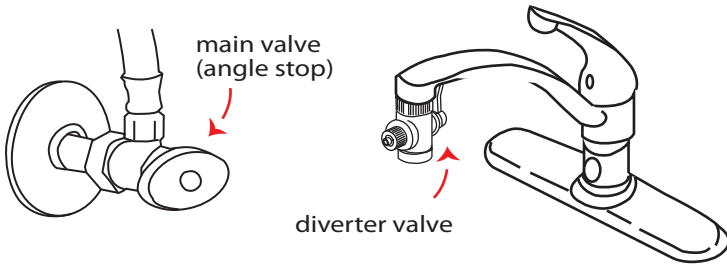


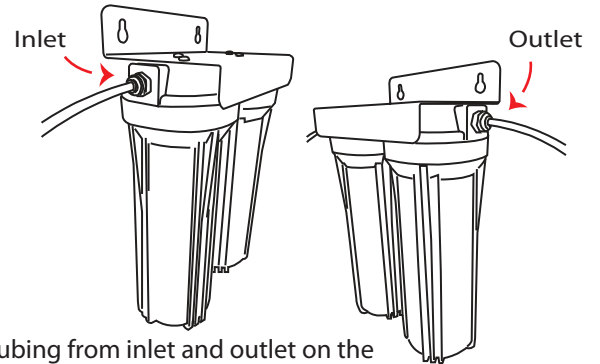
## 1 Shut off water

- Shut off the water supply at the **main valve** under the sink *or* make sure the water is off at the diverter valve (**main valve** for countertop installation and **diverter valve** for undercounter installation)
- Turn on the ionizer to relieve water pressure (about 5 seconds)
- Turn off the ionizer

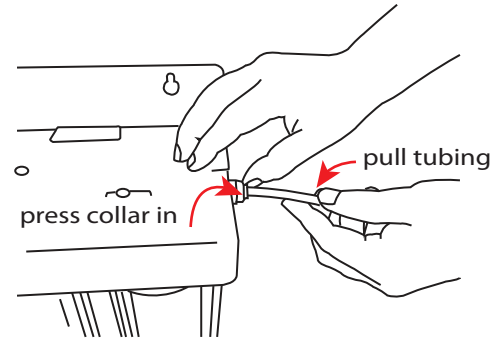
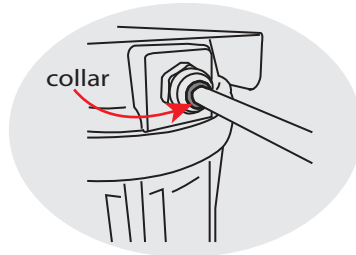


## 2

### Disconnect tubing



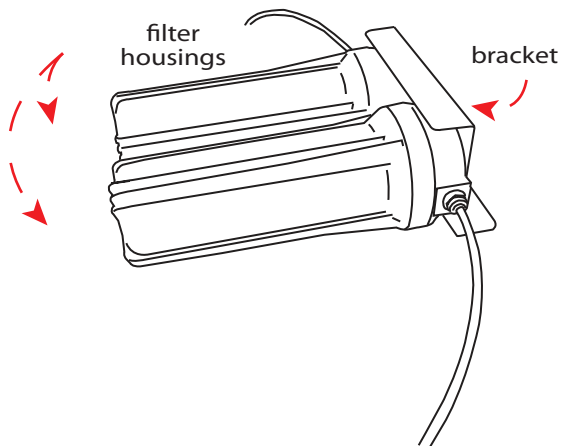
- Disconnect the 1/4" tubing from inlet and outlet on the pre-filter housing by pressing the collar in and then pulling on the tube to release (as shown below)



## 3

### Loosen filter housing from bracket

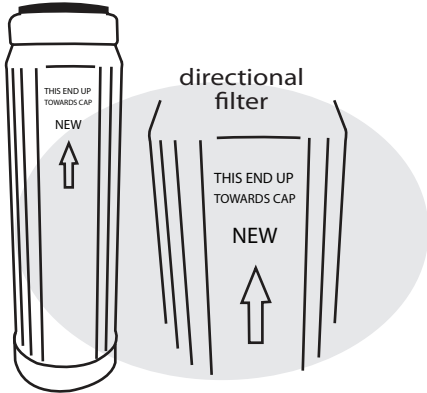
- Lay the prefilter housing on its side
- Slide the prefilter wrench up the housing from the bottom to top
- Twist prefilter wrench away from you and down towards the left (counter clockwise)



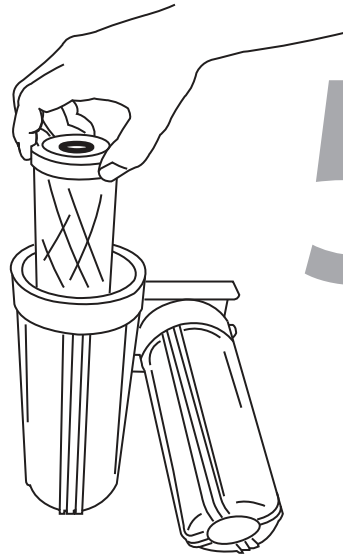
# 4

## Remove and replace filter

- Remove the filter housing from bracket
- Extract the old prefilter from the housing and discard
- Slide the new prefilter in the housing making sure that if there is a directional arrow on the filter that the arrow is pointing up towards the cap when you insert it



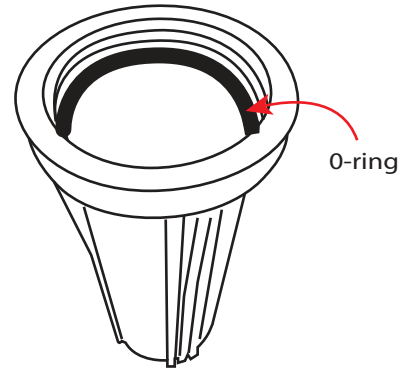
\* If the filter is not directional, there will NOT be any writing on the filter and you can insert it either direction



# 5

## Lube O-ring

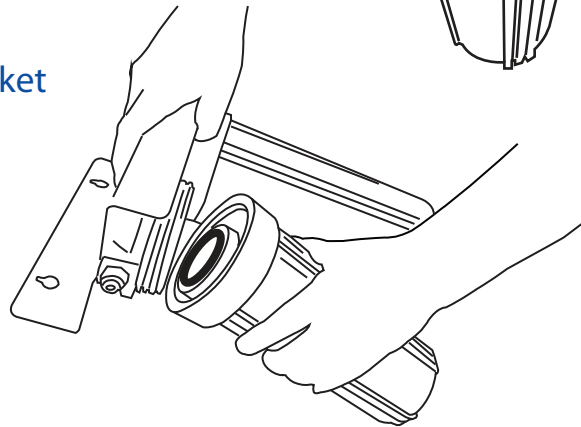
- Lube the large black O-ring located in the filter housing next to the threads with vaseline



# 6

## Reattach filter housing to bracket

- Screw the filter housing with filter inside onto the cap by tightening the housing with the prefilter wrench in a clockwise direction.



# 7

## A few more steps until finished!

- Repeat process if needed to your other filters
- Reinsert the inlet tubing to the filter housing
- Reinsert the outlet tubing to the filter housing and run the other end of the tubing to the sink or a large container
- Turn the water back on at the main valve or diverter valve
- Flush for 2-3 minutes with water running down the sink
- Shut off the water before moving the tubing that is in the sink and connecting it to the ionizer
- Turn the water back on at the main valve or diverter valve

