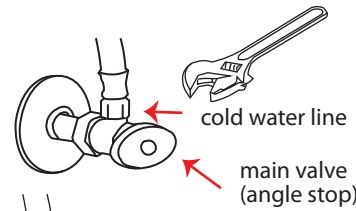


1 Cold Water Connect

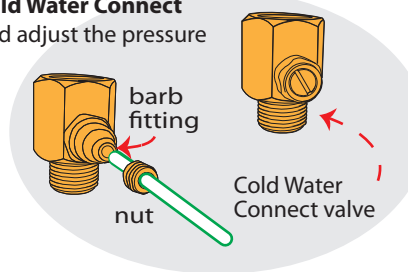
- Find the cold water supply under sink
- Turn the **main valve (angle stop)** off
- Remove the cold water line from the **main valve** by using a wrench



- Totally disconnect the **cold water line**

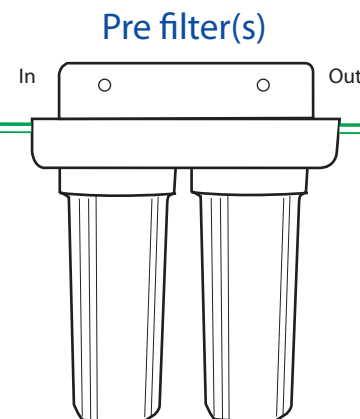
- Add Teflon tape to the male threads on both the **cold water connect** and **main valve**
- Connect the **cold water connect** to the **main valve**
- Then connect the cold water line to the **cold water connect**
- Tighten both with a wrench

*Use a flat head screw driver to turn on the **Cold Water Connect** and adjust the pressure



- Remove the small nut from the **cold water connect**
- Slide the tubing through it
- Connect the 1/4" tubing on to the barb fitting on the **cold water connect**
- Tighten the nut back on with a wrench
- Open the **cold water connect valve**

- ## 2
- Run the other end of the 1/4" tubing that you attached to the **cold water connect** to the (IN) on the **Pre filter**.
 - Connect another piece of 1/4" tubing to the (OUT) on the **Pre filter**.
 - This tube will go to the source water "INLET" elbow on the **bottom** of the ionizer as shown in step 5



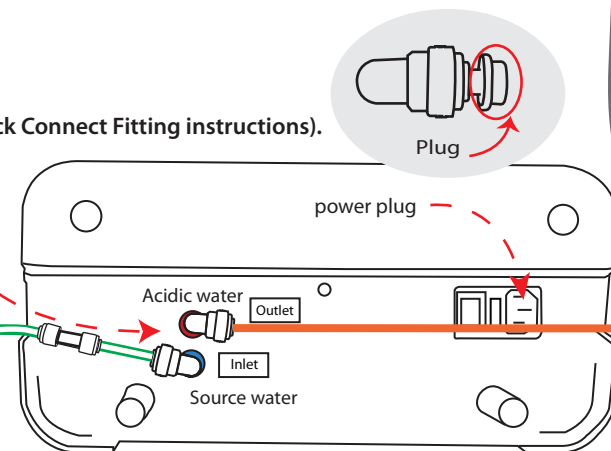
(Flush out pre filters)

NOTE:
Run 2-3 gallons of water through the pre-filters before you connect them to the ionizer.

3 Bottom of Ionizer

(See page 18 in the manual for Quick Connect Fitting instructions).

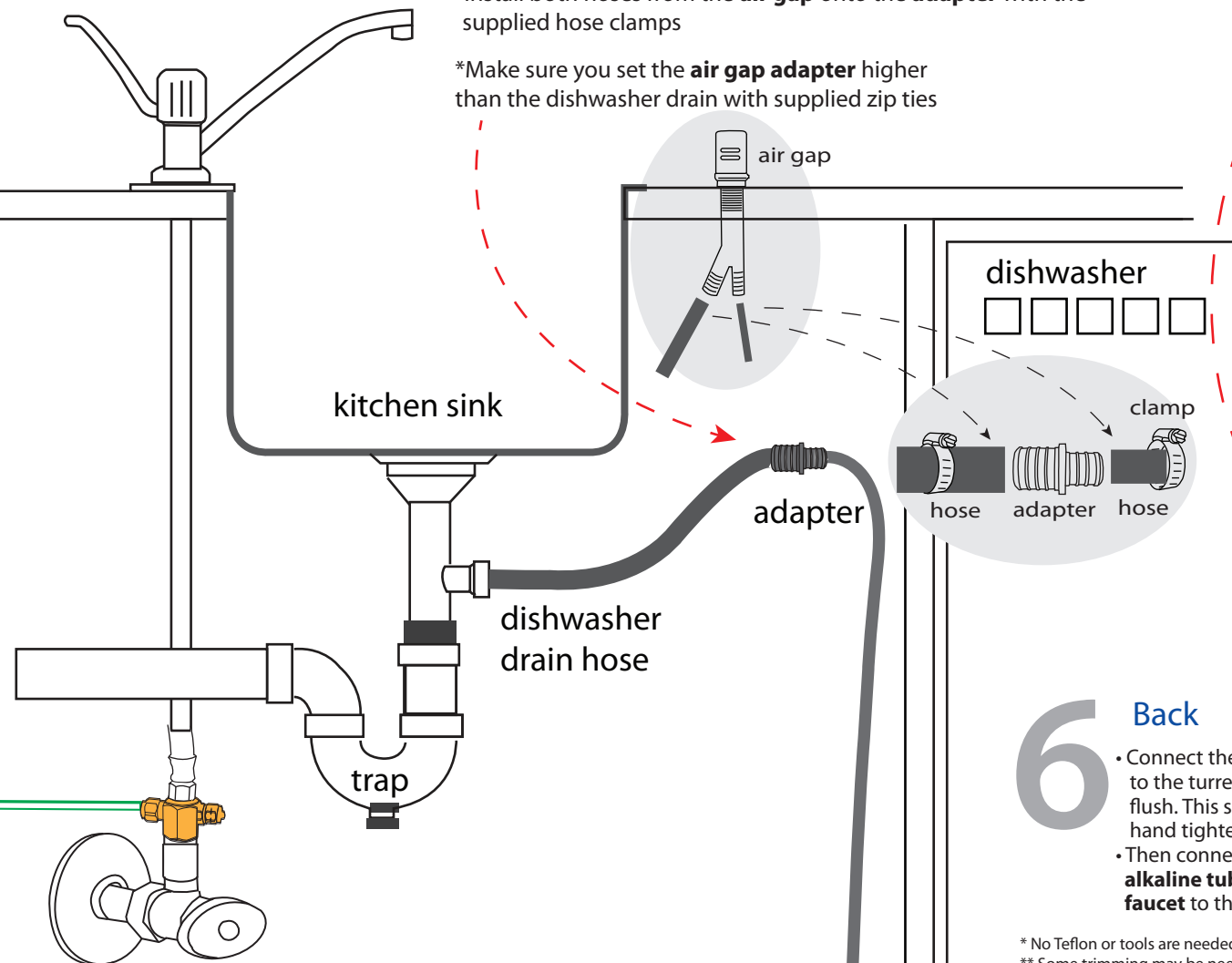
- After removing the plugs from the inlet and outlet elbows, connect the tubing coming from the **Pre filter(s)** "OUT" to the source water "INLET".
- Connect the orange tube to the "OUTLET" elbow
- Plug the power cord into the bottom of the ionizer.



4 Air Gap Bypass

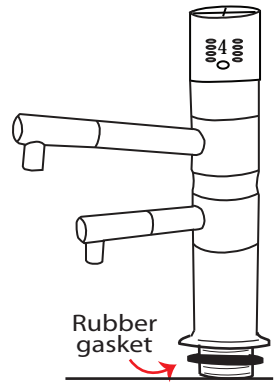
- Remove the gap cover from the **air gap** by pulling it up
- Unscrew the plastic nut located on the base of the **air gap**
- Go under the sink and pull down the **air gap**
- Remove both hoses from the **air gap**
- Install both hoses from the **air gap** onto the **adapter** with the supplied hose clamps

*Make sure you set the **air gap adapter** higher than the dishwasher drain with supplied zip ties

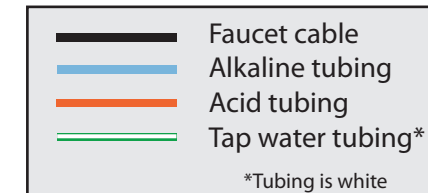


5 Faucet

- Make sure the counter hole for the faucet is 1 3/16"
- Install the **faucet** where the air gap was with the black rubber gasket under the faucet base
- Tighten fixing nut from under the sink
- Connect the orange tube coming from the **OUTLET** elbow on the bottom of the ionizer, to the red tube coming from faucet at the Quick Connect Union
- Connect the blue tube coming from the **faucet adapter** on top of the ionizer, to the blue tube coming from the faucet at the Quick Connect Union
- Connect the **faucet patch cable** to the **faucet**



Quick Connect Unions

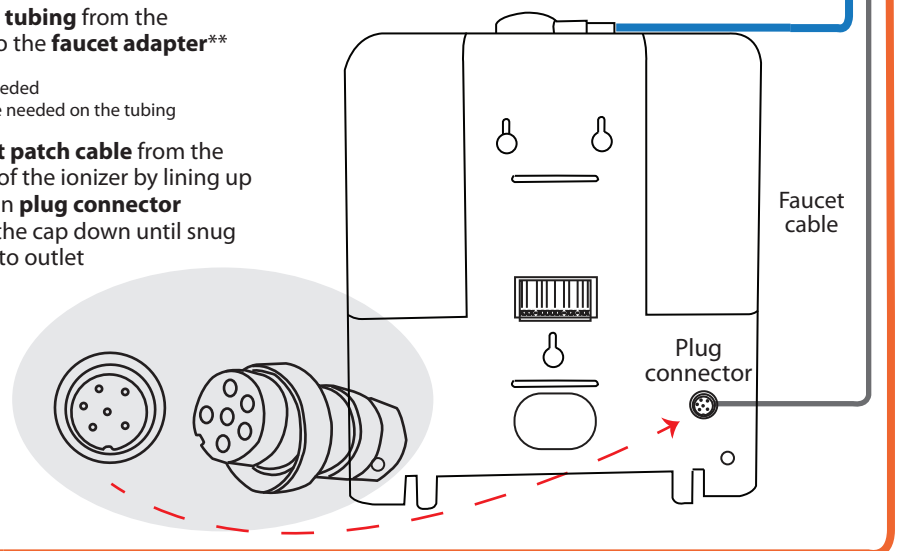
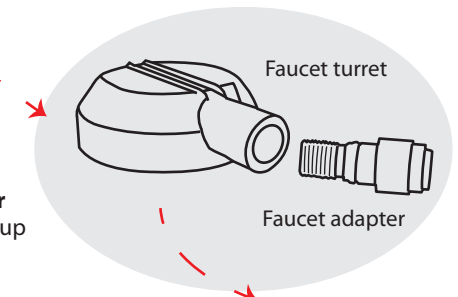


6 Back

- Connect the **faucet adapter** to the turret until they butt up flush. This should only be hand tightened.*
- Then connect the **blue alkaline tubing** from the **faucet** to the **faucet adapter****

* No Teflon or tools are needed
** Some trimming may be needed on the tubing

- Connect the **faucet patch cable** from the **faucet** to the back of the ionizer by lining up the pins on the 6 pin **plug connector**
- Push in and screw the cap down until snug
- Plug power cord into outlet



Last Step: Turn on the **main valve (angle stop)** and check for leaks.