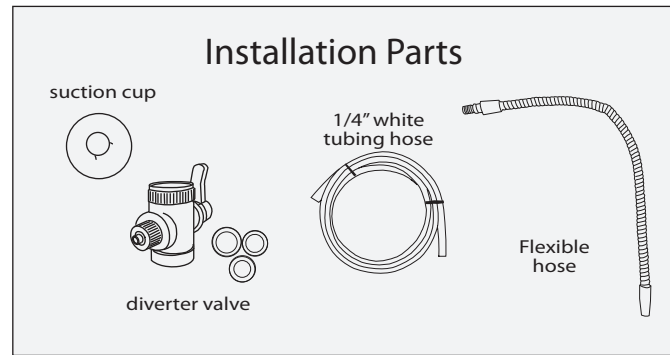
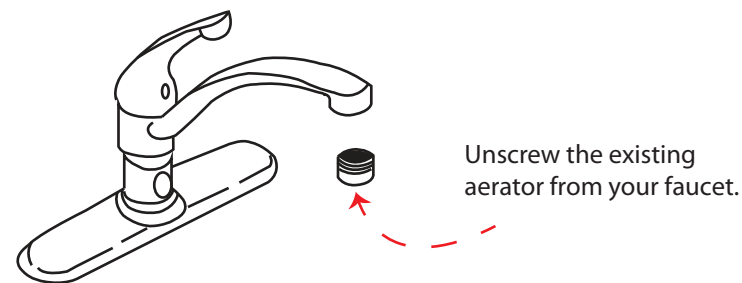




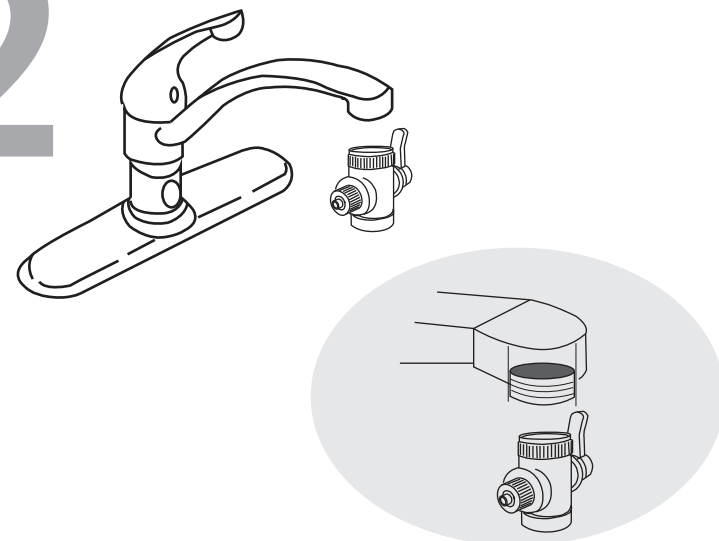
# Quick Start Guide



# 1



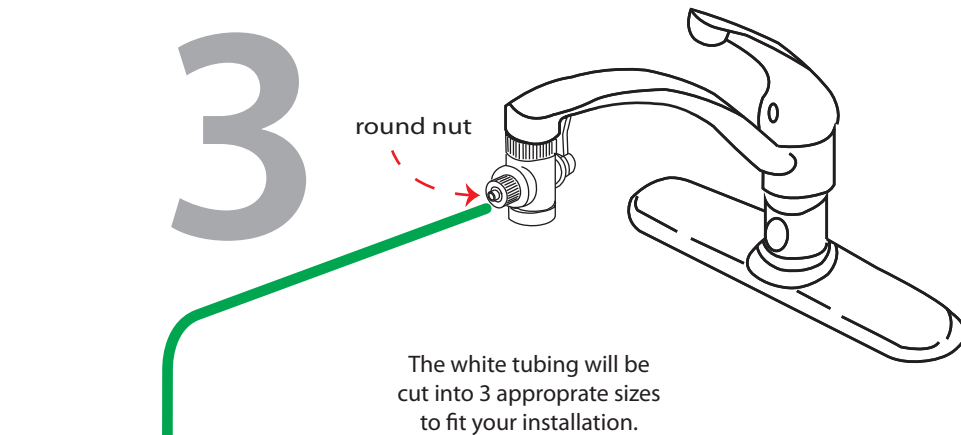
# 2



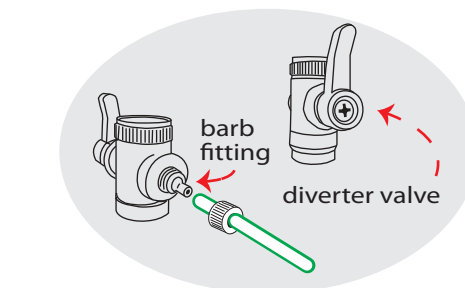
- Use Teflon plumbers tape on the threads.
- Make sure the rubber washer is inside the **diverter valve** before you screw it onto your faucet. This assures a proper seal.

(Three different sized adaptors are included for non-standard sized faucets).

# 3

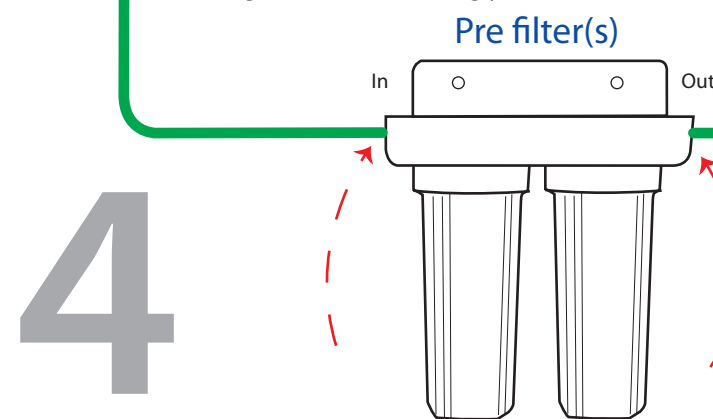


#1 1/4" white tubing



- Unscrew the round nut from the side of the **diverter valve**
- Push the 1/4" tubing through the nut and onto the barb fitting
- Tighten the nut back onto the **diverter valve** over the tubing with a wrench
- Tubing should now fit snugly onto the **diverter valve**.

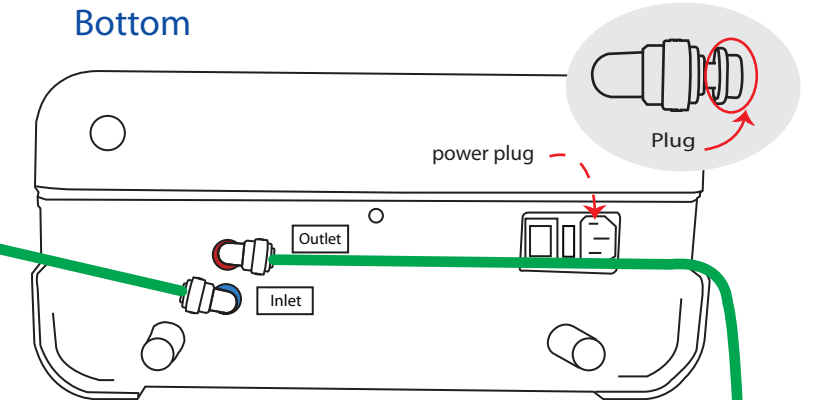
# 4



- Run the other end of the 1/4" tubing that you attached to the **diverter valve** to the (IN) on the **Pre filter** and cut tubing to appropriate size.
- Connect another piece of 1/4" tubing to the (OUT) on the **Pre filter**.
- This tube will go to the source water "inlet" elbow on the **bottom** of the ionizer as shown in step 5 and cut tubing to appropriate size.

# 5

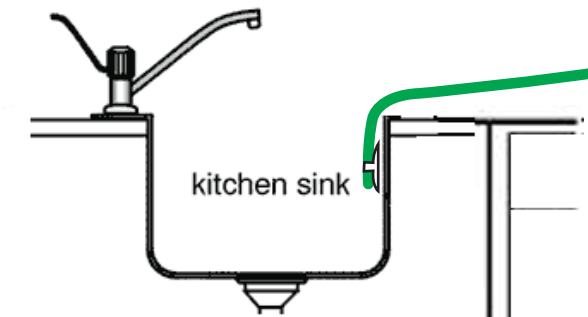
Bottom



(See page 18 in the manual for **Quick Connect Fitting instructions**).

- After removing the plugs from the inlet and outlet elbows, connect the 1/4" tubing coming from the **Pre Filter(s)** "OUT" to the source water "inlet".
- Insert the last piece of 1/4" white tubing in the Acidic water "outlet" and run the other end into the sink securing it with the suction cup provided.
- Connect the power cord into the bottom of the ionizer and then plug into a dedicated electric outlet.

#3 1/4" white tubing



# 6

- Screw the **flexible hose** into the turret until they butt up flush. This should only be hand tightened.\*

\* No Teflon or tools are needed

