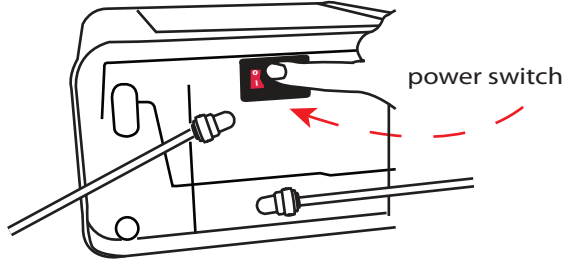


1

Turn power off

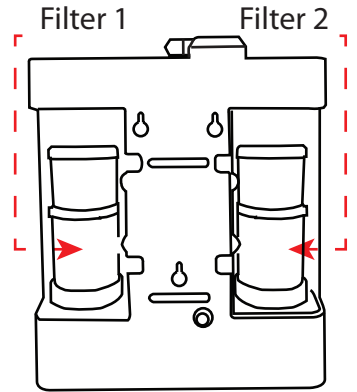
Turn off power to the ionizer by pressing the circle side of the power switch located at the bottom of the ionizer.



2

Remove cover

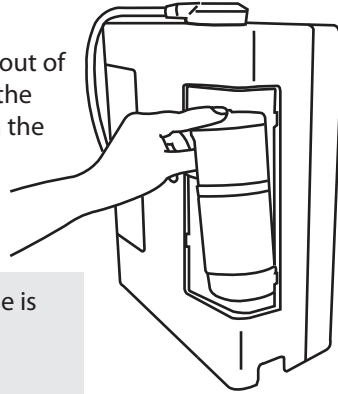
Remove the filter cover for the filter you would like to change.



3

Remove filter

Turn the filter counter clockwise to release it out of the socket. Pull up on the filter to remove it from the ionizer.

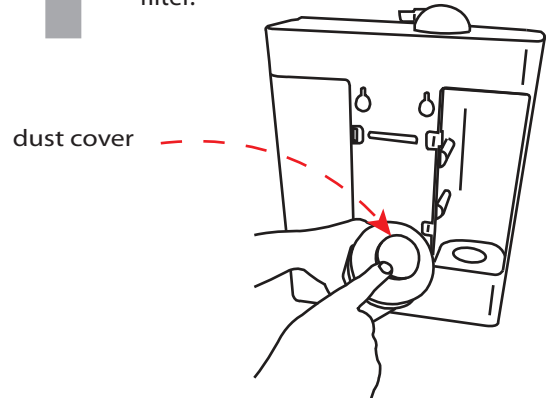


NOTE: If your filter base is gray, then the #2 filter releases by turning it clockwise instead of counter clockwise.

4

Prepare filter

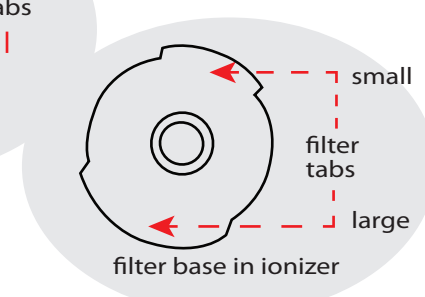
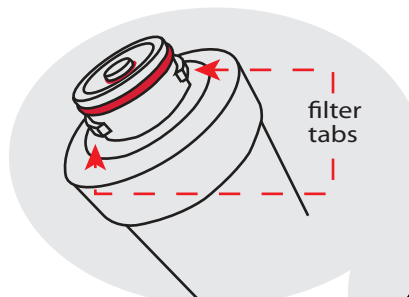
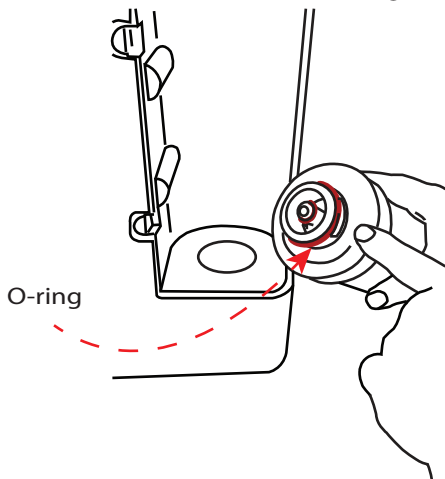
Remove the clear plastic packaging and dust cover from the bottom of the filter.



5

Lubricate O-ring

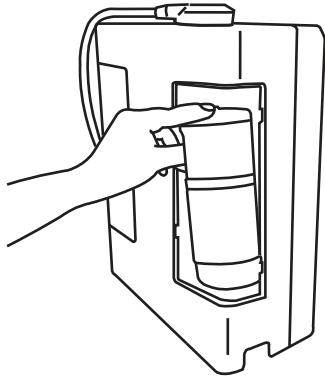
Before installing the filter, lube up the large outer O-ring with either olive oil or vaseline. Line up the 2 tabs on the filter to the filter base in the ionizer (one tab is larger than the other).



6

Insert filter

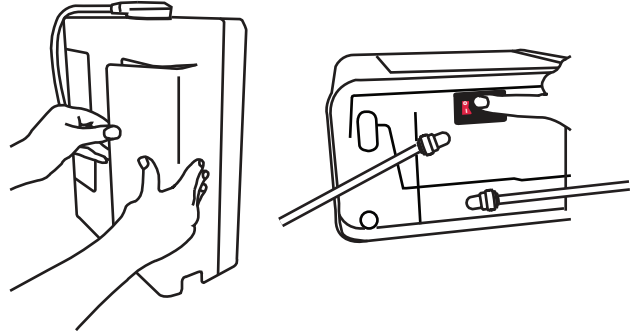
Once you have aligned the tabs on the filter with the ionizer, press down and twist the filter clockwise until it stops.



7

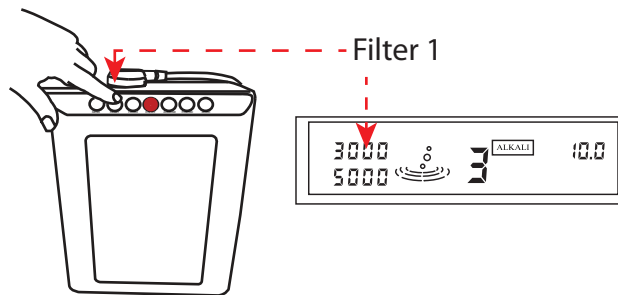
Reinstall cover

Replace the cover and turn the power switch back on.

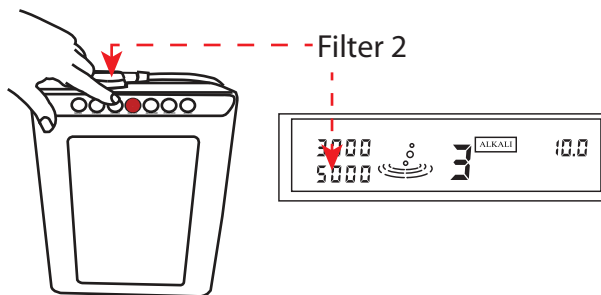


8

Reset Filter Counter



After changing the first filter, press and hold the **"FILTER 1"** button for 10 seconds. You will hear 2 beeps and the filter counter indicator will reset to 3000.



After changing the second filter, press and hold the **"FILTER 2"** button for 10 seconds. You will hear 2 beeps and the filter counter indicator will reset to 5000.

Final Steps

- Press the **POWER** button
- Select the "Purified Water" setting and let the water run for 2-3 minutes
- Check for leaks
- The filter replacement is finished!