

MirageDrive® 180

V2 update kit

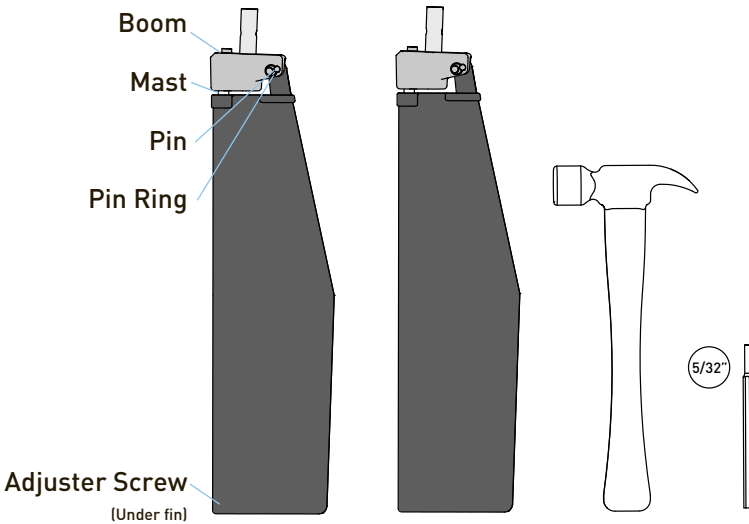
Installation Manual



The following instructions will explain the assembly procedures for your MirageDrive® 180 V2 update kit. This instruction can be used for either MD180 ST Turbo Fins or MD180 ST Fins.

This kit includes the following parts:

(2) MD 180 V2 boom assembly
which includes:



Additional tools required;

1x Bench vice (or similar) _____

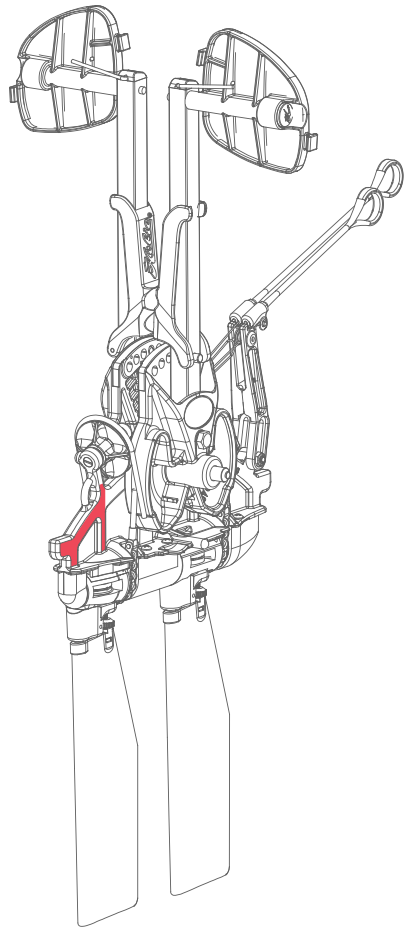
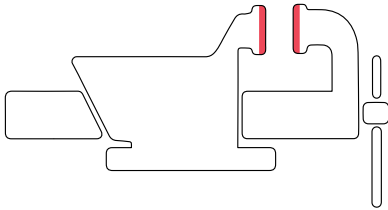
1x Hammer _____

1x 5/32" Punch _____

Fixing your MirageDrive in place

It's important to fix your MirageDrive in place as you perform this task as it can be difficult to keep your fins in alignment during the removal process.

We recommend that you fix the drive in place using a bench vice or equivalent in the area indicated in red. You can place a piece of fabric over the bench vice jaws so that the steel jaws do not mark the plastic drive.



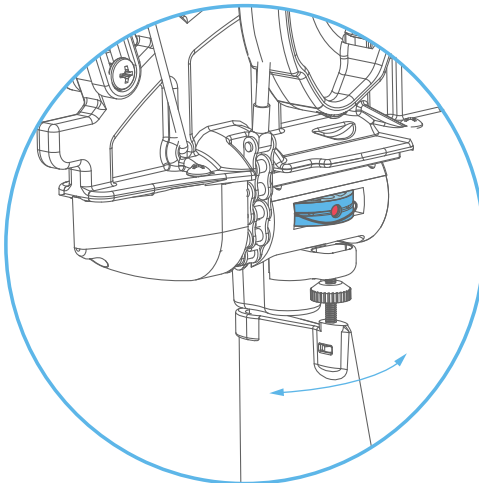
1. Half twist

If in the forward position, pull the reverse tendon (RED) gently such that the drive rotates only half way or 90°.

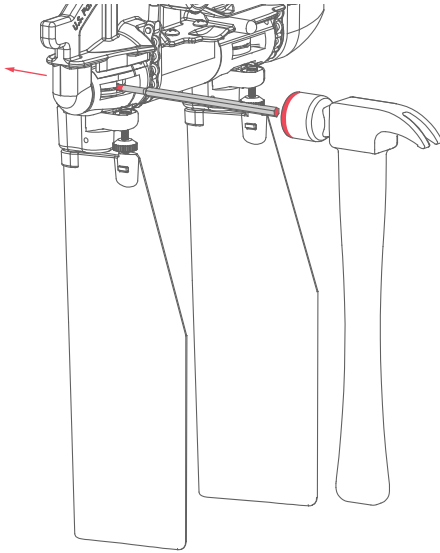
This movement reveals a roll pin in the upper rotating piece known as the 'quadrant' indicated in blue in the image below shows a roll pin covered by a threaded line.

2. Twist fin back and forth to slacken lines

To reveal the roll pin that keeps the boom assembly attached, twist the fin back and forth. This slackens the line so that you can punch it out without the line getting in the way.



Make sure the line is away from the roll pin on both sides of the quadrant to avoid damaging the line with the Wrist Pin.



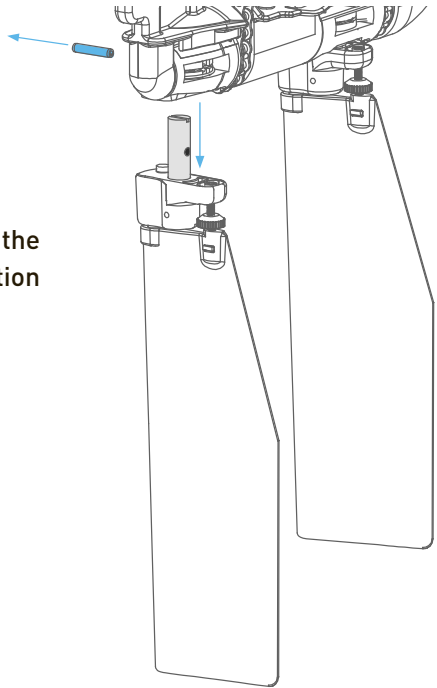
3. Punch out roll pin

Using a 5/32" punch and hammer, gently punch the roll pin from the quadrant.

4. Remove the boom assembly

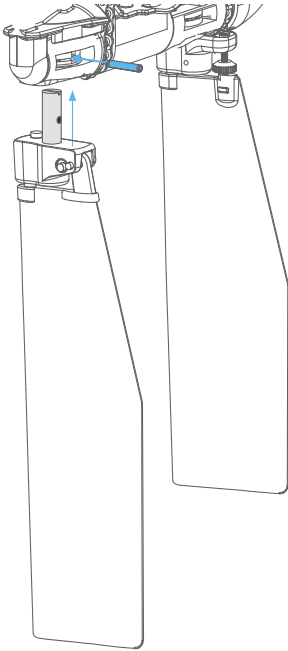
Slide the boom assembly from the MirageDrive. Remember the position the fin was removed for installation.

**KEEP THE ROLL PIN FOR
INSTALLATION.**



DO NOT TRY TO:

- Rotate the quadrant.
- Remove both booms at once as the assembly could accidentally rotate.



5. Install V2 Boom

Slide the new V2 Boom assembly into the MirageDrive ensuring it's in the correct orientation.

6. Punch in the roll pin

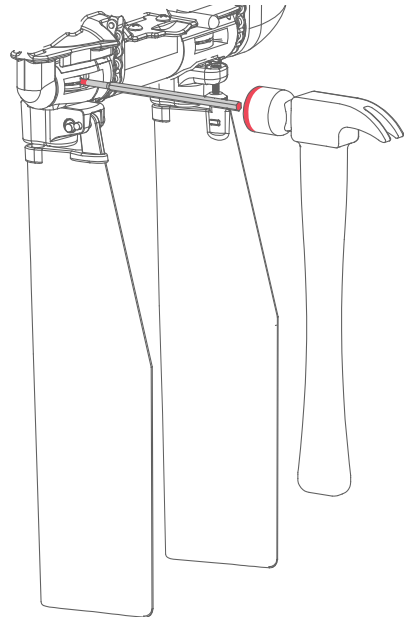
Ensure the lines are out of the way of the quadrant hole on both sides. Using the roll pin from the removal process, punch the new V2 boom into place making sure the roll pin is central in the quadrant.

7. Repeat for the other boom

Keeping the drive in it's 90° position, repeat step 2-6 for the other V1 boom.

8. Twist back

Pull the drive back to the forward position ensuring the lines wrap the quadrant seated in their groove.



Enjoy your new MirageDrive 180 V2 Booms!



Hobie Cat Company

Holding Company

Oceanside, California, USA

1-800-HOBIE-49

Hobie Cat Australasia

Subsidiary

Huskisson, New South Wales, Australia

1-800-4-HOBIE

Hobie Cat Europe

Subsidiary

Toulon, France

+33 (0) 494 08 78 78

Hobie Kayak Europe

Independent Distributor

Stellendam, The Netherlands

+31 (0) 187 499 440

Hobie Cat Brasil

Independent Distributor

Porto Belo, Santa Catarina, Brazil

+55 (21) 3942 6815

Hobie.com